

## Electric lifting truck ONE-MAX



### Why the ONE-MAX?

Our ONE-MAX with lithium-ion battery is very robust and therefore suitable for daily, intensive use. Fast charging times and the long operating time of the battery increase the efficiency of your goods transport.

- Reliable load capacity of **up to 1000kg**
- **Fork length of 1600mm** designed for transporting all types of pallets
- **Tyres:** tandem castors made of hard-wearing and durable polyurethane (PU)
- **Tandem tyres** underneath the tines ensure smooth and stable running during transport
- **Ergonomic handle**
- **Fast charging time** of only 3h with a long operating time of 6h

- **Easy handling:** battery change with only one handle and without additional tools
- **Easy to operate:** thanks to digital display and keypad for keyless locking function and creep speed, easy manoeuvring with forks upright

## Technical data

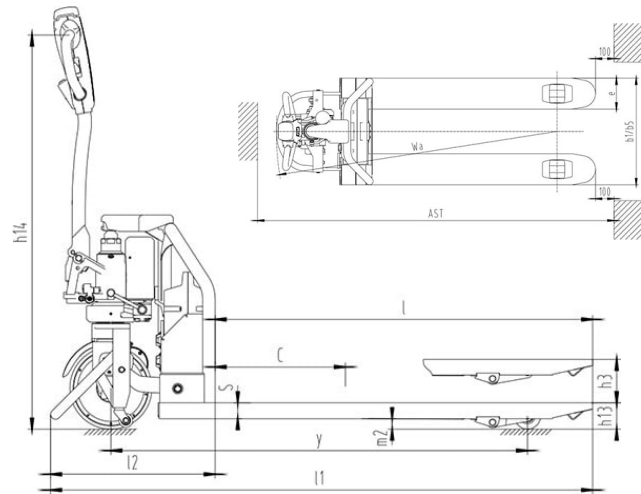
### Electric lifting truck ONE-MAX

#### DIMENSIONS

|                                       |         |                |
|---------------------------------------|---------|----------------|
| Fork length                           | 1600 mm | l              |
| Width                                 | 550 mm  | b1             |
| Length                                | 2073 mm | l1             |
| Outer fork width                      | 550 mm  | b5             |
| Wheel base                            | 1269 mm | y              |
| Ground clearance                      | 35 mm   | m <sup>2</sup> |
| Distance between forks                | 230 mm  |                |
| Height from ground                    | 80 mm   | h13            |
| Height of drawbar                     | 1200 mm | h14            |
| Individual fork width                 | 160 mm  | e              |
| Centre of gravity                     | 600 mm  | c              |
| Turning radius                        | 1424 mm | Wa             |
| Min. aisle width (EPAL1 Euro pallets) | 2095 mm | Ast            |

#### GENERAL INFORMATION

|  |                 |
|--|-----------------|
| Load capacity                              | 1000 kg         |
| Material                                   | Steel           |
| Weight                                     | 172 kg          |
| Type of brakes                             | Electromagnetic |
| Sound pressure level according to EN 12053 | 70 db(A)        |



#### Drive

|                           |                |
|---------------------------|----------------|
| Type of drive             | Electric motor |
| Rising capacity, unloaded | 20 %           |
| Rising capacity, loaded   | 5 %            |
| Motor output              | 0.65 kW        |
| Drive speed loaded        | 4.8 km/h       |
| Drive speed unloaded      | 5 km/h         |

#### BATTERY

|                  |             |
|------------------|-------------|
| Battery type     | Lithium-ion |
| Operating period | 6 h         |
| Charging time    | 3 h         |

|                       |       |
|-----------------------|-------|
| Battery weight        | 10 kg |
| Battery capacity      | 20 Ah |
| Battery voltage       | 48 V  |
| Battery level display | Yes   |
| Number of batteries   | 1     |

#### Lift

|                         |            |
|-------------------------|------------|
| Lifting height (h3)     | 200 mm     |
| Lift type               | Electrical |
| Lifting speed, loaded   | 0.03 m/s   |
| Lifting speed, unloaded | 0.035 m/s  |
| Motor output            | 0.8 kW     |

#### TYRES

|                         |                   |
|-------------------------|-------------------|
| Material of tyres       | Polyurethane (PU) |
| Casters                 | Tandem            |
| Width of casters        | 70 mm             |
| Diameter of casters     | 80 mm             |
| Width of swivel casters | 70 mm             |
| Diameter of casters     | 210 mm            |
| Intake rollers          | Yes               |

We are improving our products continuously. It is therefore possible that technical data changes without prior notice. Product image and drawings can deviate. Excluded from our manufacturer's warranty "Plus-Guarantee" are wear parts, rechargeable batteries and power packs - details can be found in our warranty declaration. The platform trolley complies with the EC Safety regulations.

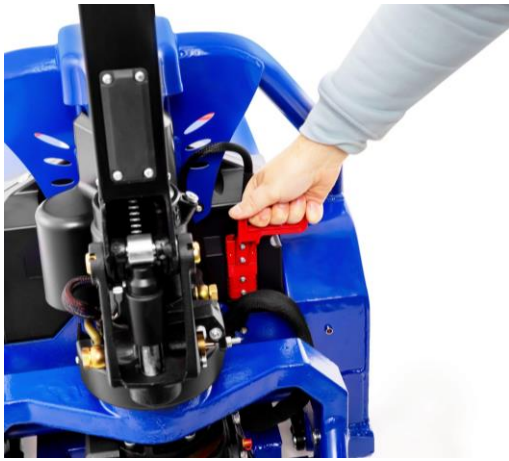
## Images

Electric lifting truck ONE-MAX



## Images

Electric lifting truck ONE-MAX



## Why Pallit?

- Delivery free of charge within 1-3 workdays
- 100 days right of return
- Live-long first aid in case of technical questions
- On-site repair service available



Questions? Contact our product experts.

☎ 0800 - 000 96 25