

## Electric double scissor lift table trolley XX-E



### Why XX-E?

The electric lift table trolley with double scissors is a helpful support when loading, filling or unloading. It has an electric lifting function and thus promotes ergonomic working. It is mainly used for mobile applications in warehouses, trade, manufacturing and order picking.

- The **910 x 500 mm platform** ensures a practical storage area
- **Lifting height up to 1300mm** due to double scissor bracing
- Maximum load capacity of loads up to **350 kg**
- Easy, stepless and electric **lifting at the push of a button**

- Safe parking of the lift table trolley due to **parking brake**
- Allows pleasant, **ergonomic work**, due to the flexibly adjustable table height
- **Battery level indicator** for more control

## Technical data

### Electric double-scissor lift table trolley XX-E

#### DIMENSIONS

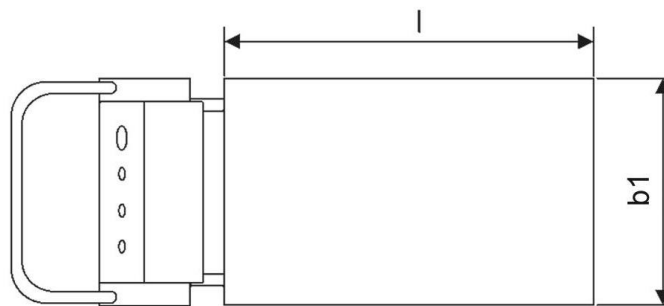
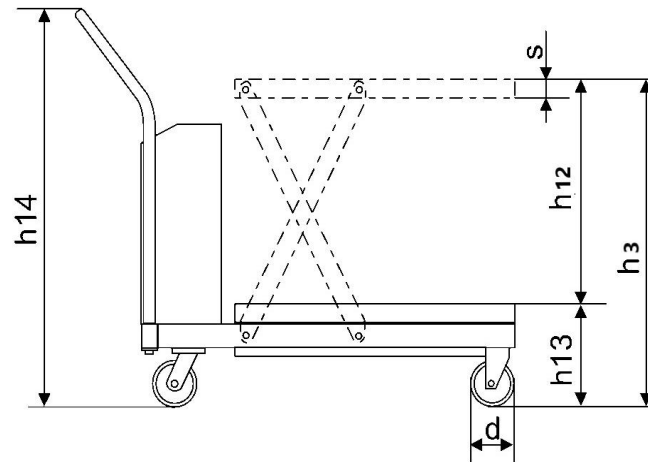
Platform dimensions	910 x 500 mm	
Width	500 mm	b1
Length	1210 mm	l1
Total maximum height	1300 mm	h4
Min. platform height	370 mm	h13

#### GENERAL INFORMATION

Load capacity	350 kg
Material	Steel
Weight	142 kg
Type of drive	Manually

#### LIFT

Lifting height	1300 mm	h3
Effective lift	930 mm	h1
Descending speed loaded	0.1 m/s	
Descending speed unloaded	0.09 m/s	
Motor output (lift)	0.8 kW	



#### TYRES

Material of tyres	Polyurethane (PU)
Width of casters	40 mm
Diameter of casters	125 mm
Width of swivel casters	40 mm
Diameter of casters	125 mm

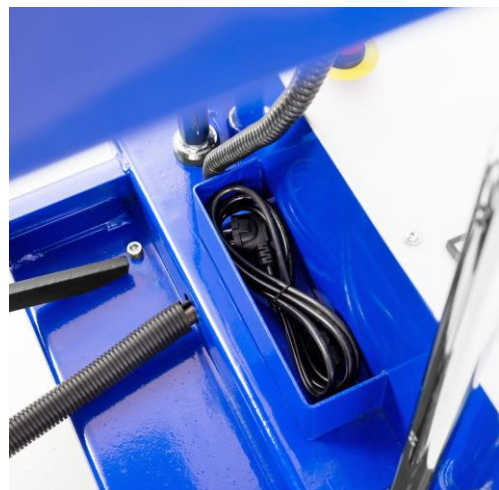
#### Battery data

Battery type	AGM
Weight of battery	8 kg
Battery capacity	15 Ah
Battery voltage	12 V
Number of batteries	2

We are improving our products continuously. It is therefore possible that technical data changes without prior notice. Details to our manufacturer warranty available under Declaration of warranty. The platform trolley complies with the EC Safety regulations.

## Images

Electric double-scissor lift table trolley XX-E



## Images

Electric double-scissor lift table trolley XX-E



## Why Pallit?

- Delivery free of charge within 1-3 workdays
- 100 days right of return
- Five year basic warranty for all platform trolleys
- Live-long first aid in case of technical questions
- On-site repair service available



Questions? Contact our product experts.

☎ 0800 - 000 96 25