

## Scissors lift ZAC-C



### Why the ZAC-C?

With the ZAC-C scissor lift truck, palletised goods can be lifted to a lifting height of 800 mm - for ergonomic work during order picking. The model offers the perfect combination of lift table, pedestrian pallet truck and workbench.

- Perfect lift height of 800 mm for **ergonomic order picking**
- **Fork length of 1150 mm** for one-way and Euro pallets (EPAL 1)
- Maximum load capacity of **1000 kg**
- Safe stability due to lateral **support feet**

- Easy lifting thanks to **two-cylinder telescopic hydraulics**
- The corrosion-resistant **polyurethane (PU) tyres** are durable and abrasion-resistant
- **Stepless lowering** of the forks via a handle on the lever
- **Rounded fork tips** for easy insertion into the pallet

## Technical data

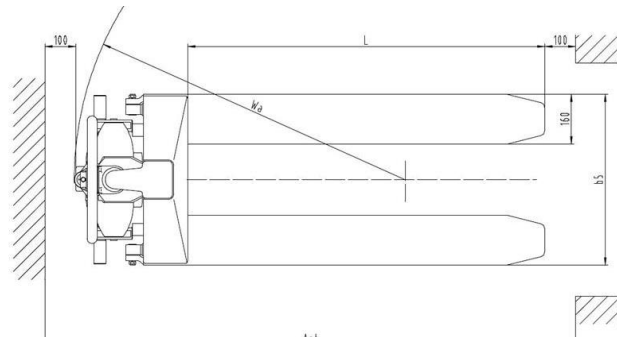
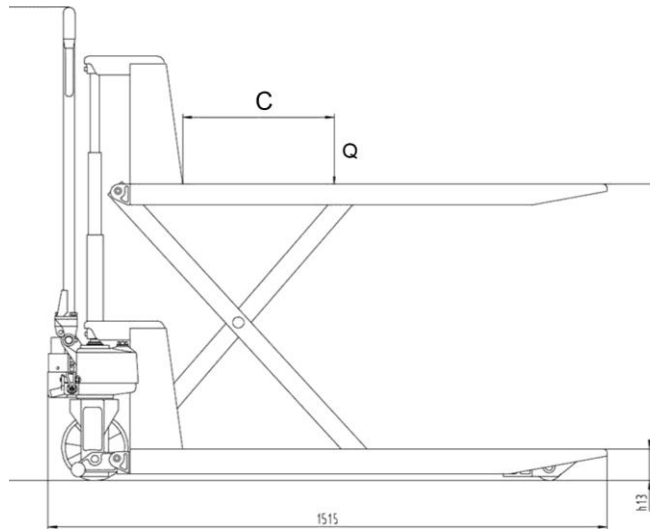
### Scissors lift ZAC-C

#### DIMENSIONS

Fork length	1150 mm	
Width	550 mm	
Length	1515 mm	
Outer fork with	550 mm	b5
Ground clearance	85 mm	
Distance between forks	230 mm	
Height from ground	85 mm	h13
Height of drawbar	1220 mm	
Individual fork width	160 mm	
Centre of gravity	600 mm	c
Turning radius	1370 mm	Wa
Min. aisle width (EPAL1 Euro pallets)	1715 mm	

#### GENERAL INFORMATION

Load capacity	1000 kg
Material	Steel
Weight	108 kg
Type of drive	Manually



#### Lift

Lifting height	800 mm
Effective lift	715 mm
Lift height per pump strokes	25 mm
Movable up to a height of	300 mm

#### TYRES

Material of tyres	Polyurethane (PU)
Caster	single
Width of casters	50 mm
Diameter of casters	80 mm
Width of swivel casters	50 mm
Diameter of casters	180 mm
Intake rollers	No

We are improving our products continuously. It is therefore possible that technical data changes without prior notice. Details to our manufacturer warranty available under Declaration of warranty. The platform trolley complies with the EC Safety regulations.

## Images

Scissors lift ZAC-C



## Images

Scissors lift ZAC-C



## Why Pallit?

- Delivery free of charge within 1-3 workdays
- 100 days right of return
- Five year basic warranty for all platform trolleys
- Live-long first aid in case of technical questions
- On-site repair service available



Questions? Contact our product experts.

☎ 0800 - 000 96 25