

Electric pallet truck F4 with support rollers



Why the EP F4 with support rollers?

The electric pallet truck from EP with lithium-ion battery is a perfect all-rounder for daily use. Fully electric movement, lifting and lowering of loads up to 1500 kg significantly accelerate the daily handling of goods. In addition, its lightweight and compact design makes it perfect for transportation in trucks.

- **Efficiency:** operating time of the Li-ion battery is 3.5 hours
- **Short charging time** of just 3 hours **with intermediate charging**
- **More stability:** The support rollers ensure greater stability and prevent tipping when cornering

- **High maneuverability:** turning radius of 1360 mm enables flexible use **in narrow places**
- **Maintenance-free lithium-ion battery** with 24V / 20Ah output
- **Speed:** transporting goods at up to 4.5 km/h
- **Forks:** with a fork length of 1150 mm, perfectly suited for Euro pallets and pallet cages
- **Climbing ability:** even when fully loaded, gradients of up to 4% can be overcome without any problems - ideal for ramps
- **Optional:** The operating time of the device can be extended to 7 hours with a separate rechargeable battery

Technical data

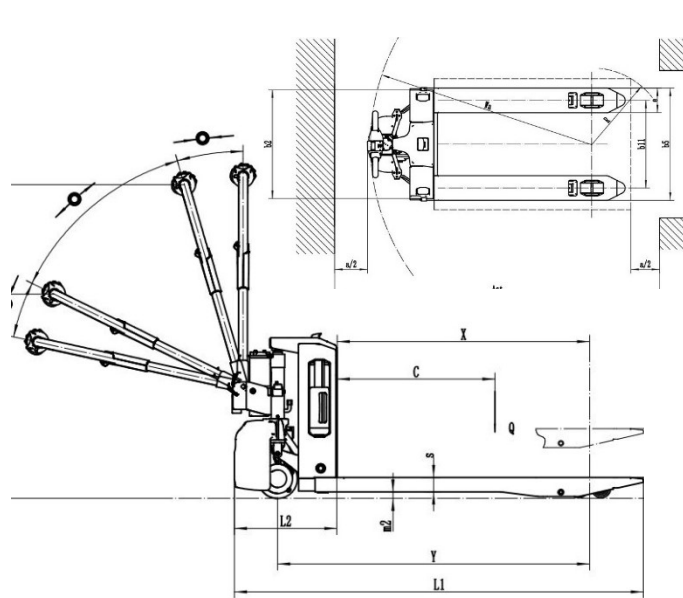
electric pallet truck with support rollers F4

DIMENSIONS

Fork length	1150 mm	
Width	590 mm	b1
Length	1550 mm	l1
Fork width outside	560 mm	b5
Wheelbase	1180 mm	y
Ground clearance	25 mm	m2
Distance between forks	260 mm	
Drawbar height	1190 mm	h14
Fork width single	150 mm	e
Load center	600 mm	c
Turning radius	1360 mm	Wa
Min. aisle width (EPAL1 Euro pallets)	2025 mm	Branch

GENERAL

Load capacity	1500 kg
Material	Steel
Weight	120 kg
Brake type	Electric
Sound pressure level according to EN 12053	70 db(A)



DRIVE

Drive type	Electric
Climbing ability, unloaded	10 %
Climbing ability, loaded	4 %
Motor power	0.75 kW
Travel speed, loaded	4.0 km/h
Travel speed, unloaded	4.5 km/h

BATTERY

Battery type	Lithium-ion
Operating time	3,5 hours
Loading time	3 hours

Weight of the battery	5 kg
Battery capacity	20 Ah
Battery voltage	24 V
Number of batteries	1
Charger	External, included

LIFT

Lifting height (h3)	187 mm
Effective stroke	105 mm
Lift	Electric hydraulic
Lifting speed, loaded	0.02 m/s
Lifting speed, unloaded	0.02 m/s
Motor power	0.5 kW

TREATMENT

Tire material	Polyurethane (PU)
Castors	Tandem
Wide castors	60 mm
Diameter of rollers	80 mm
Wide swivel castors	70 mm
Castor diameter	210 mm

We are constantly improving our products. For this reason, technical data may change without prior notice. Details of our manufacturer's warranty "Basic Warranty" can be found in our warranty statement. The pallet truck complies with EU safety regulations.

Pictures

electric pallet truck with support rollers F4



Pictures

electric pallet truck with support rollers F4



Why Pallit?

- **Free delivery in 1-3 working days**
- **100-day return policy**
- **Five-year basic warranty on all pallet trucks**
- **First aid for technical issues for life**
- **On-site repair service available**



Questions? Talk to our product experts.

☎ 0800 - 000 96 25