

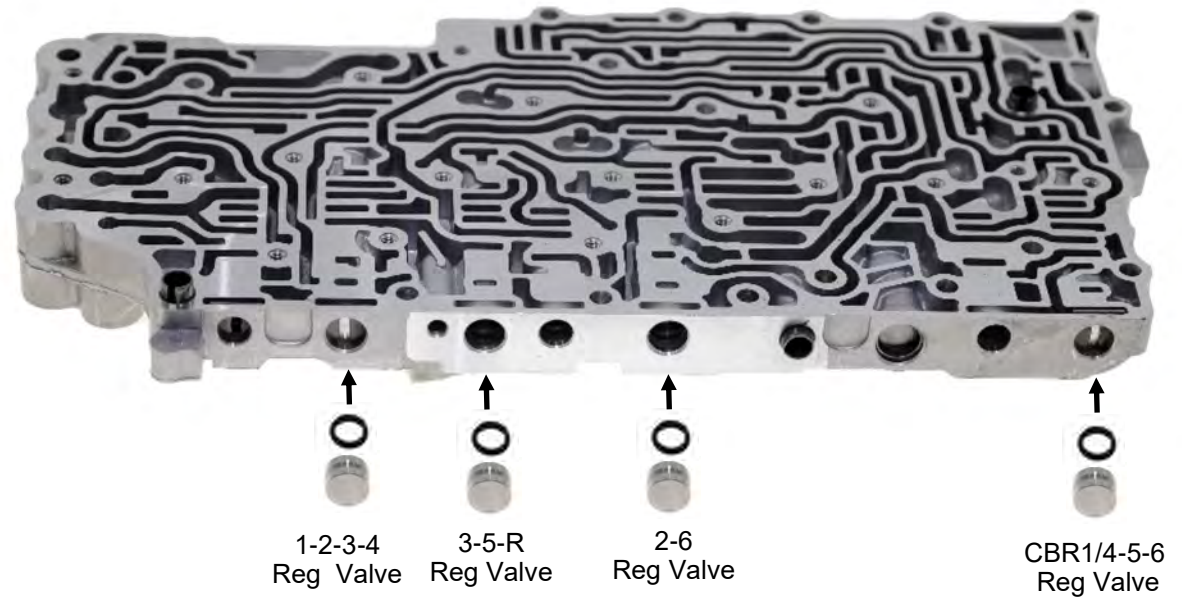
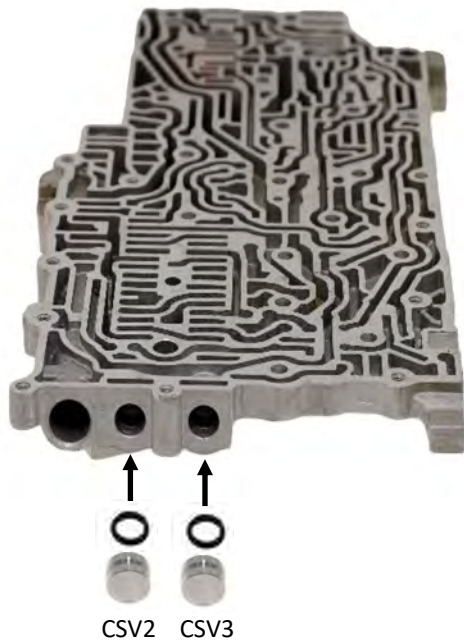
## 6L80-VBPLUGS

### Valve Body Bore End Plugs

Fits: 6L45, 6L50, 6L80, 6L90 2006-on



**Corrects/Prevents/Reduces:** Pressure loss due to end plug wear at clutch solenoid oil circuits, burnt clutches and common shift complaints.



**Step 1.** Remove and discard the following (6) end plugs:

- 1-2-3-4 Reg valve end plug
- 3-5-R Reg valve end plug
- 4-5-6 Reg valve end plug
- 2-6 Reg valve end plug
- CSV2 Valve end plug
- CSV3 Valve end plug

**Step 2.** Install O-rings on new end plugs and install into the bore.