

VBP-VAC

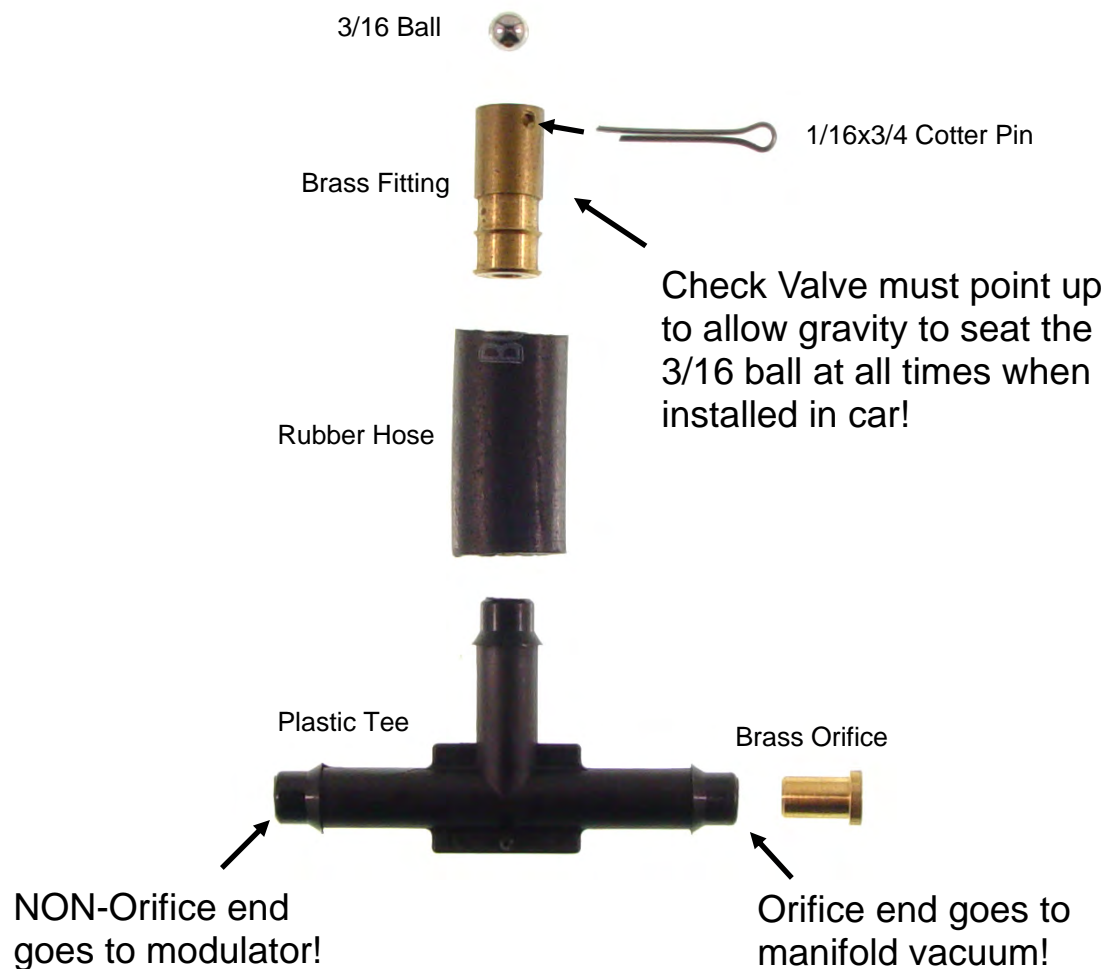
Vacuum Bypass Kit

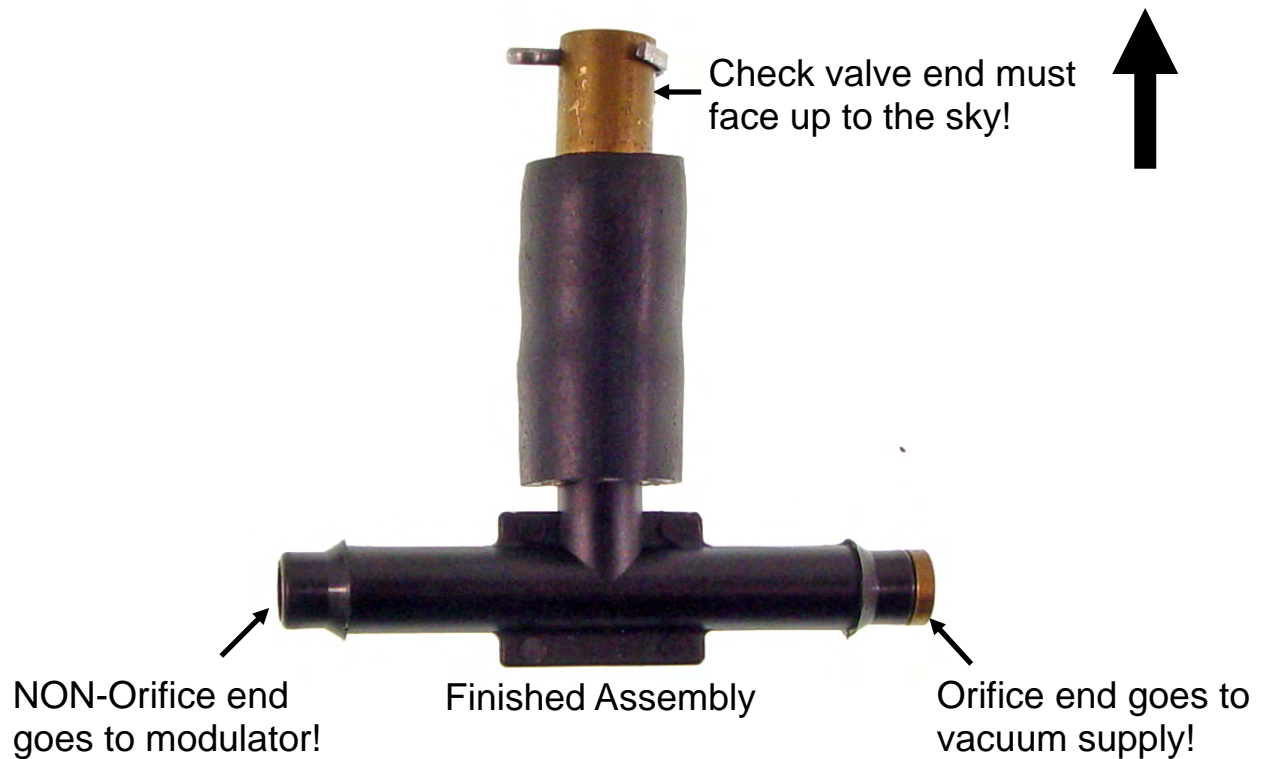
For Blown or Turbo'd Engines to prevent damage to transmission and / or Vacuum Modulator.



Assembly:

Install brass fitting into rubber hose FIRST! (Hollow end out.) Other end of hose onto center tap of plastic "Tee". Insert ball into hollow end of brass fitting and insert cotter pin through side holes to retain ball. Bend ends of cotter pin to retain it. Install small brass orifice into one end of plastic "Tee" Do the shake test: Ball must wiggle/rattle when finished.





Install Tips:

- 1) Vacuum line must connect to a port on the intake manifold or throttle body that **has vacuum at idle and with throttle**.
- 2) Don't use cheap vacuum line, look for nylon reinforced vacuum or fuel line.
- 3) Always zip-tie the hose securely to ensure no strain is put on the "Tee".
- 4) Make sure check-valve end of tee is facing toward the sky or ball will not seat properly during use.
- 5) If using more than 10psi boost, clamp all hose connections.
- 6) ALWAYS... Have fun!

Mr. Shift[®]
Have a nice Day!

