

Trump **T** Winery
CHARLOTTESVILLE, VIRGINIA

Forever Starts Here





Whether you've dreamt of a grand affair or an intimate gathering, your special day will be tailored just for you. We offer something unique, something you will be excited about, and something all your guests will never forget. Unparalleled views, luxurious venues, and award-winning wines will make your celebration magical. You will create memories to cherish forever as you begin the rest of your lives together.

Trump Winery, located on the most beautiful estate in Albemarle County, is conveniently located fifteen minutes from downtown Charlottesville. Situated on nearly 1,300 acres with rolling Blue Ridge views, 227 acres of vines, large lakes, and beautiful landscapes, Trump Winery offers a variety of indoor and outdoor venues to accommodate groups of any size.

Contact Event Manager



Our Venues



The Grand Hall

The Grand Hall hosts an array of unique spaces, including three ballrooms and a wrap-around terrace. With a breathtaking landscape of rolling hills, vines, and lakes, your guests will be mesmerized by the unparalleled panorama.

Your venue contract includes exclusive use of:

- The Grand Cru, Meritage, and Sparkling Ballrooms from 12pm until 11pm
- The Reserve Room with working fireplace for your cocktail hour and reception starting at 5:30pm
- Beautiful bridal suite with a private restroom
- Luxury groom's suite with HDTV
- 20 six-foot round tables
- 10 eight-foot banquet tables
- 200 Chiavari ceremony chairs
- 200 folding reception chairs
- 4 decorative wine barrels
- All existing patio furniture
- All equipment in our dedicated catering kitchen
- The Chapel for a two-hour block (subject to availability)

RATES

Peak season: \$7,500-\$11,500; May-June, September-November

Off-season: \$6,500-\$8,500; December-April, July-August

[View Grand Hall Floor Plans](#)



"Trump Winery is AMAZING. Our wedding ceremony and reception took place at the Grand Hall at the top of the hill. I truly believe it has the best views in all of Charlottesville." -WeddingWire



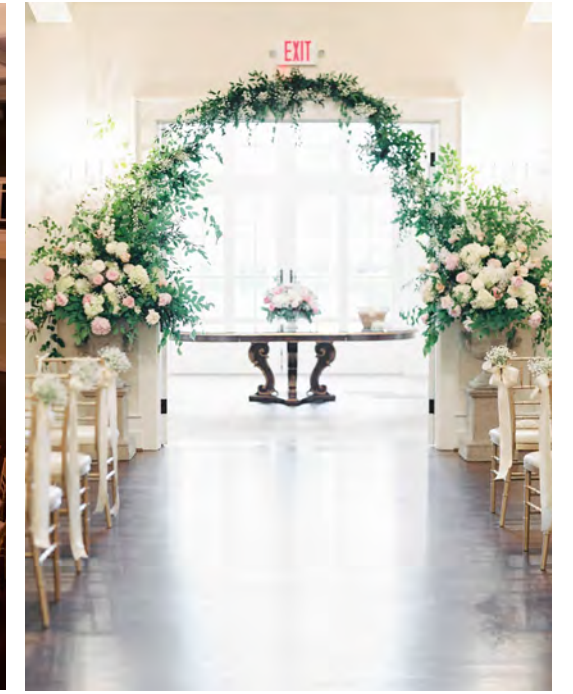
The Grand Hall



Grand Cru Ballroom

Forty-foot ceilings | Swarovski crystal chandeliers and sconces | Dance floor

The Grand Hall



Sparkling & Meritage Ballrooms

Forty-foot ceilings | Swarovski crystal chandeliers and sconces | Hardwood floors

The Grand Hall



Reserve Room & Terrace

Panoramic Views | Large stone wood burning fireplace | Tufted leather furniture | Expansive windows | Marble top bar

Barn & Pavilion

Adjacent to the vineyard, the Barn & Pavilion epitomizes the rustic elegance of the Virginia countryside. French doors lead you to spacious slate terraces with sweeping views of the vineyard, lake, and lush countryside with mature trees - the perfect backdrop for a ceremony or cocktail reception.

Your venue contract includes exclusive use of:

- The Barn and Pavilion from 12pm until 11pm
- Beautiful bridal suite with a private restroom
- Dedicated space for groom
- 15 six-foot round tables
- 6 eight-foot banquet tables
- 150 Chiavari reception chairs
- 16'x16' portable dance floor
- 4 decorative wine barrels
- All existing patio furniture
- All equipment in our commercial kitchen
- Mahogany and granite bar
- The Chapel for a two-hour block (subject to availability)

RATES

Peak season: \$5,000-\$9,000; May-June, September-November

Off-season: \$4,500-\$7,000; December-April, July-August

[View the Barn & Pavilion floor plans](#)



"Hands-down THE. BEST. VENUE. EVER. Picture-perfect scenery (stunning!), gorgeous barn and patio, and an awesome event coordinator make this venue top-notch. Trump will always have a special place in both my husband and my heart." - WeddingWire



Barn & Pavilion



Barn

Exposed beams | Club room featuring wine barrel chandeliers | Catering kitchen | Marble restrooms | Hardwood floors

Barn & Pavilion



Pavilion

360 degree transom windows | Mahogany and granite bar | Crystal chandelier and sconces | Prep kitchen | Marble restrooms | Portable dance floor

The Chapel

"One of the world's most beautiful contemporary private chapels."

-Architectural Digest

Nestled among our 227 acres of vines, and tucked into a lush grove of trees, the Chapel features checkerboard gray and white marble floors, leaded glass windows, and a hand-painted mural ceiling featuring "The Story of Virginia" by internationally renowned artist Graham Rust.

The interior detail of the pews, altar, altar rails, lectern, and chairs were all copied from Shobdon Chapel, an English chapel in Wales.

The long aisle is flanked by ornate wooden pews and surrounded by floor-to-ceiling windows with beautiful views. The loft houses an 1805 Longman and Herron pipe organ and is the perfect place for a harpist, string quartet, or pianist to accompany a ceremony.

The Chapel was built to be interfaith. Use of the Chapel is included in your rental fee of the Barn & Pavilion or Grand Hall and is subject to availability.



Up to 80 guests seated, 100 standing room | Pipe organ | Brick Terrace

Elopement Package

Hosting an intimate affair? *Say I do* to our Elopement Package. Our Elopement Package will help you create the perfect wedding, whether it's just the two of you or a small group, allowing you to enjoy the big moments because *Forever Starts Here*.

Elopement Packages are available Monday-Thursday and can accommodate 2-20 guests.

Elopement Package includes:

- Dressing areas for bride and groom (up to 1 hour's use pre-ceremony)
- Use of Chapel for your ceremony and photos (up to 2 hours)
- Officiant
- Basic flower package (bouquet, boutonniere, and table arrangement for the Chapel altar)

Stay with us! Add a stay at Albemarle Estate, our on-site boutique hotel, for an additional charge (subject to availability).

[Contact Event Manager](#)

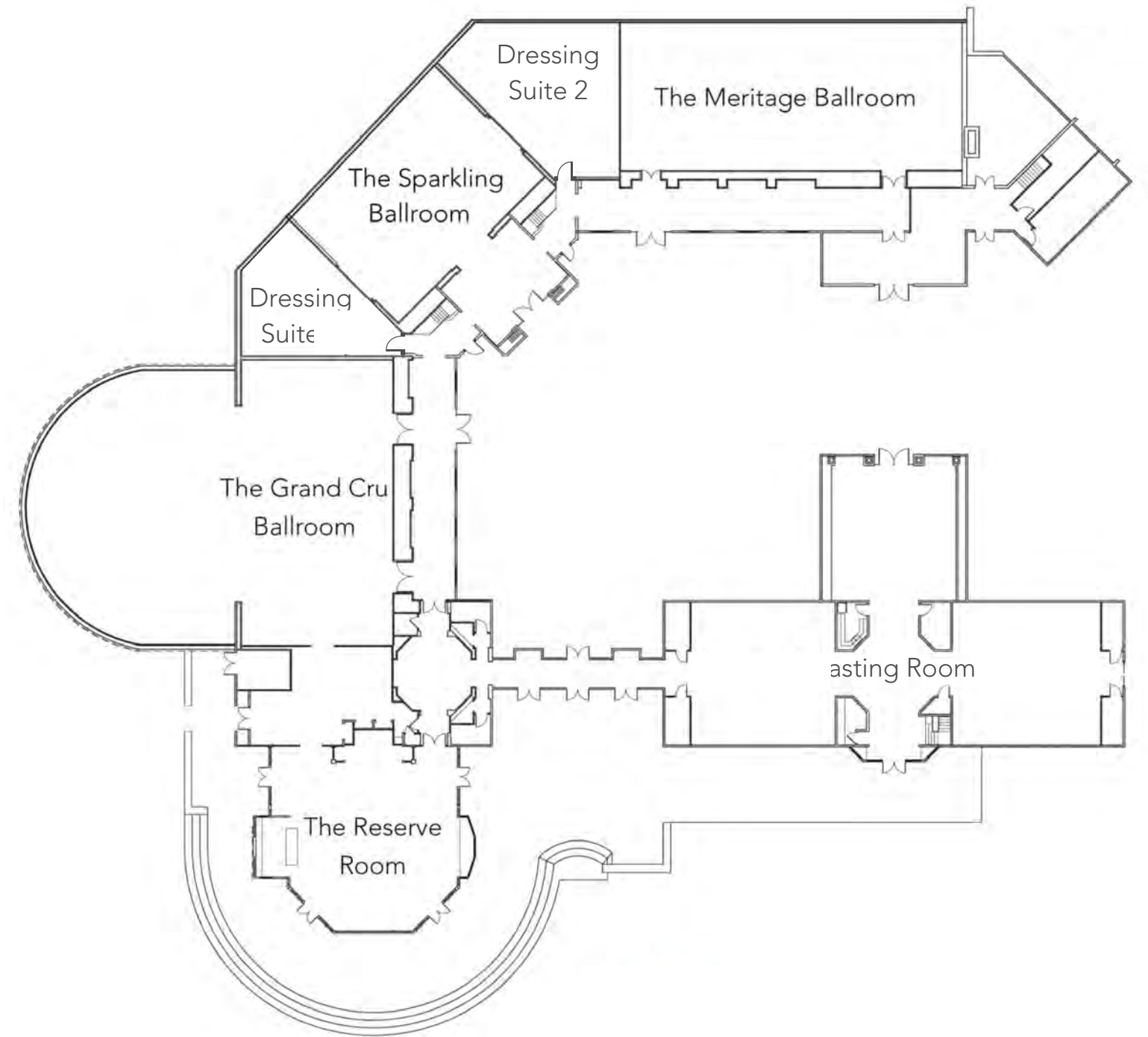




Book your tour today.
 Email events@trumpwinery.com or
 call 434.443.3072



Floor Plans - The Grand Hall

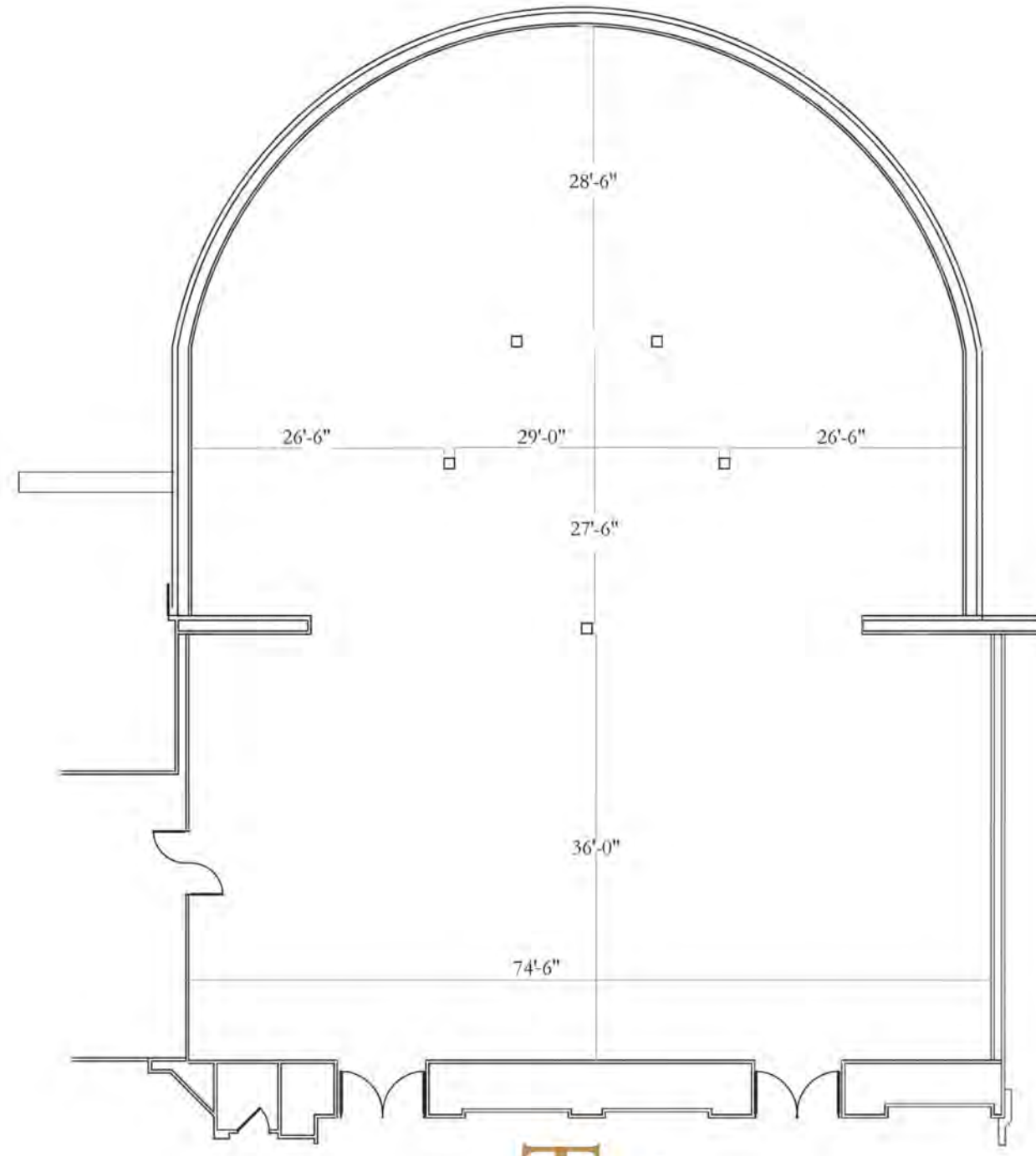


26,000 sq ft | Dressing suites | Dedicated catering kitchen | Marble restrooms

Floor Plans - The Grand Hall

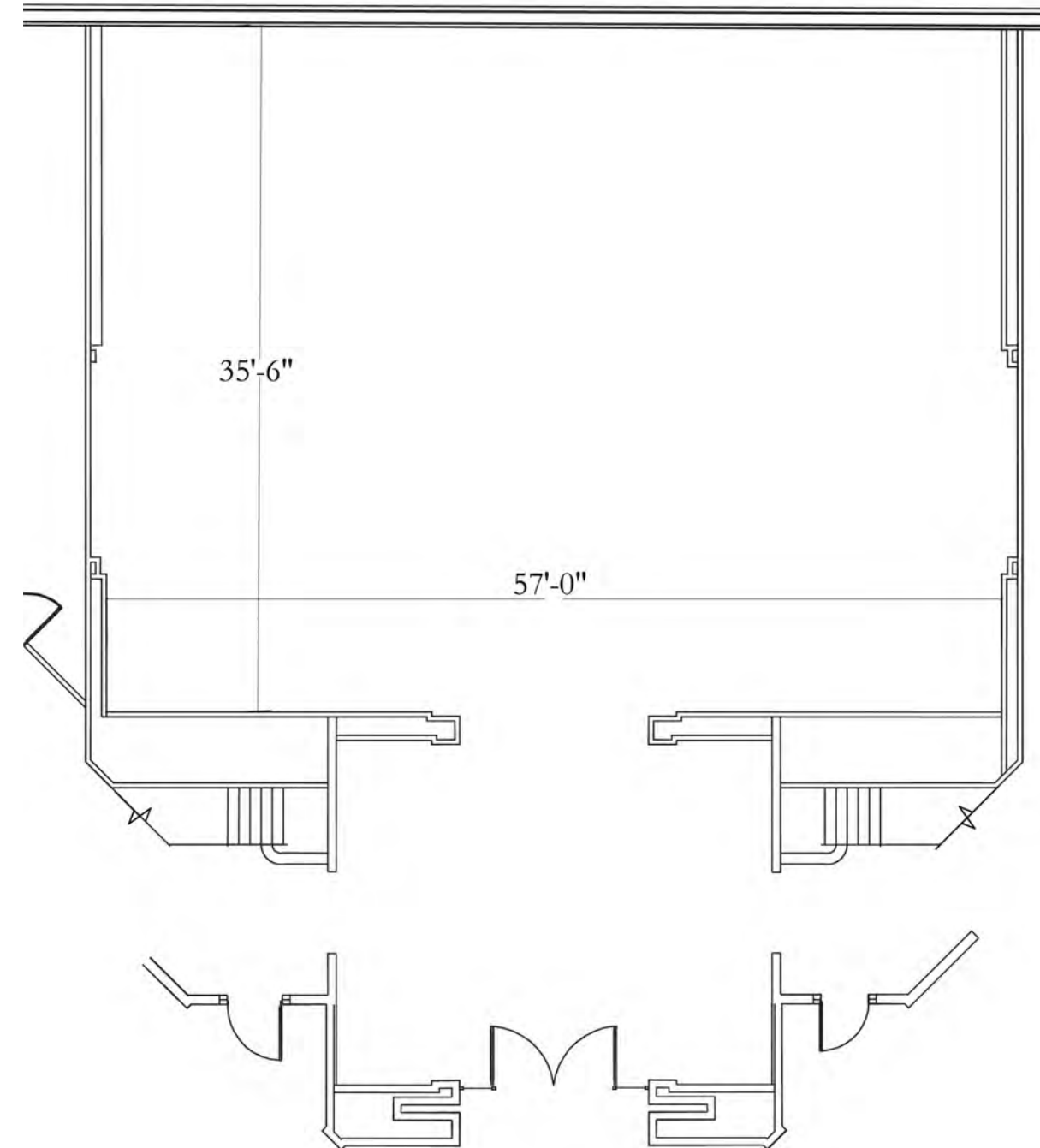
GRAND CRU BALLROOM

Up to 200 seated dinner with dancing



SPARKLING BALLROOM

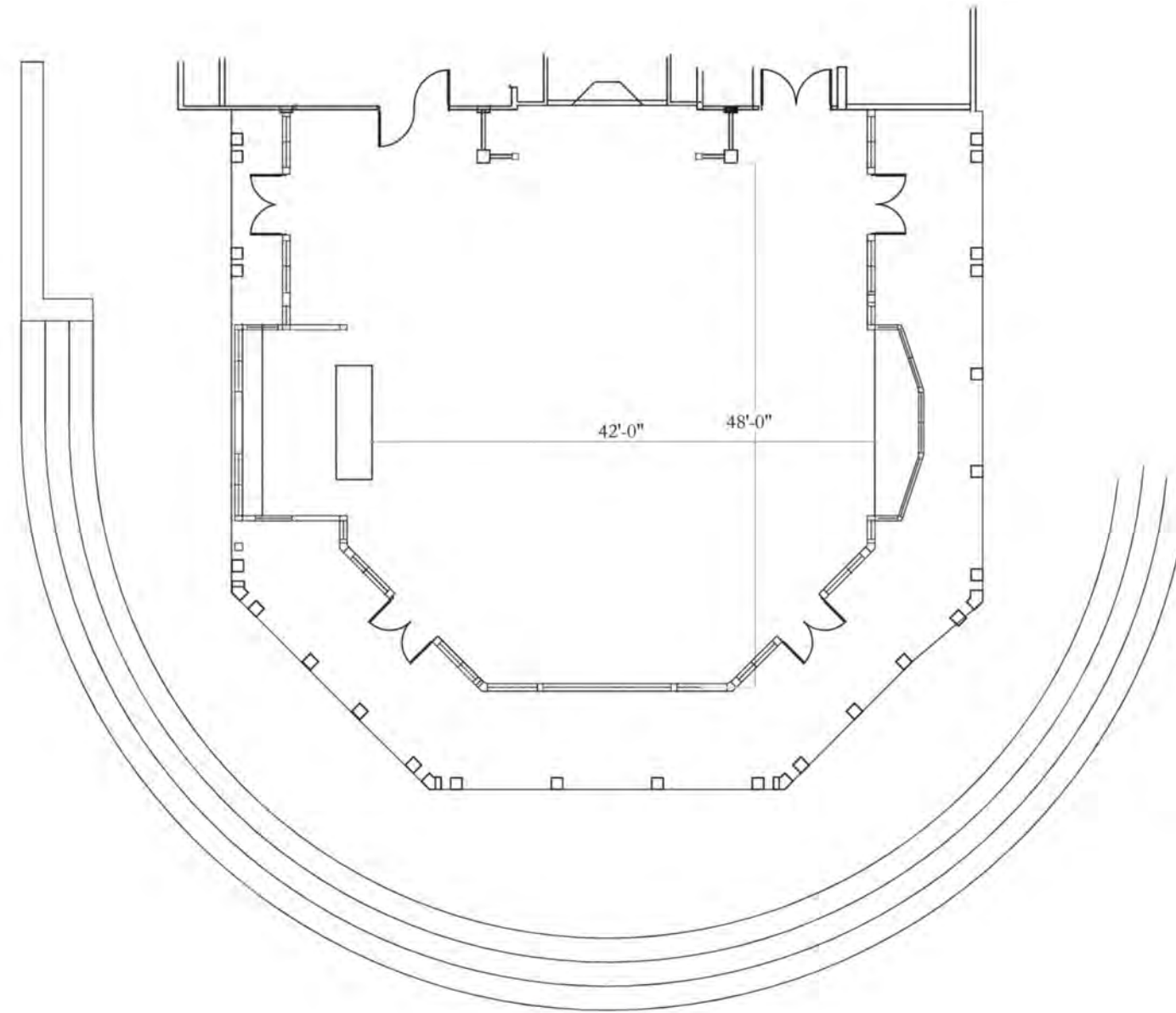
Up to 100 seated dinner with dancing; 130 seated dinner only



Floor Plans - The Grand Hall

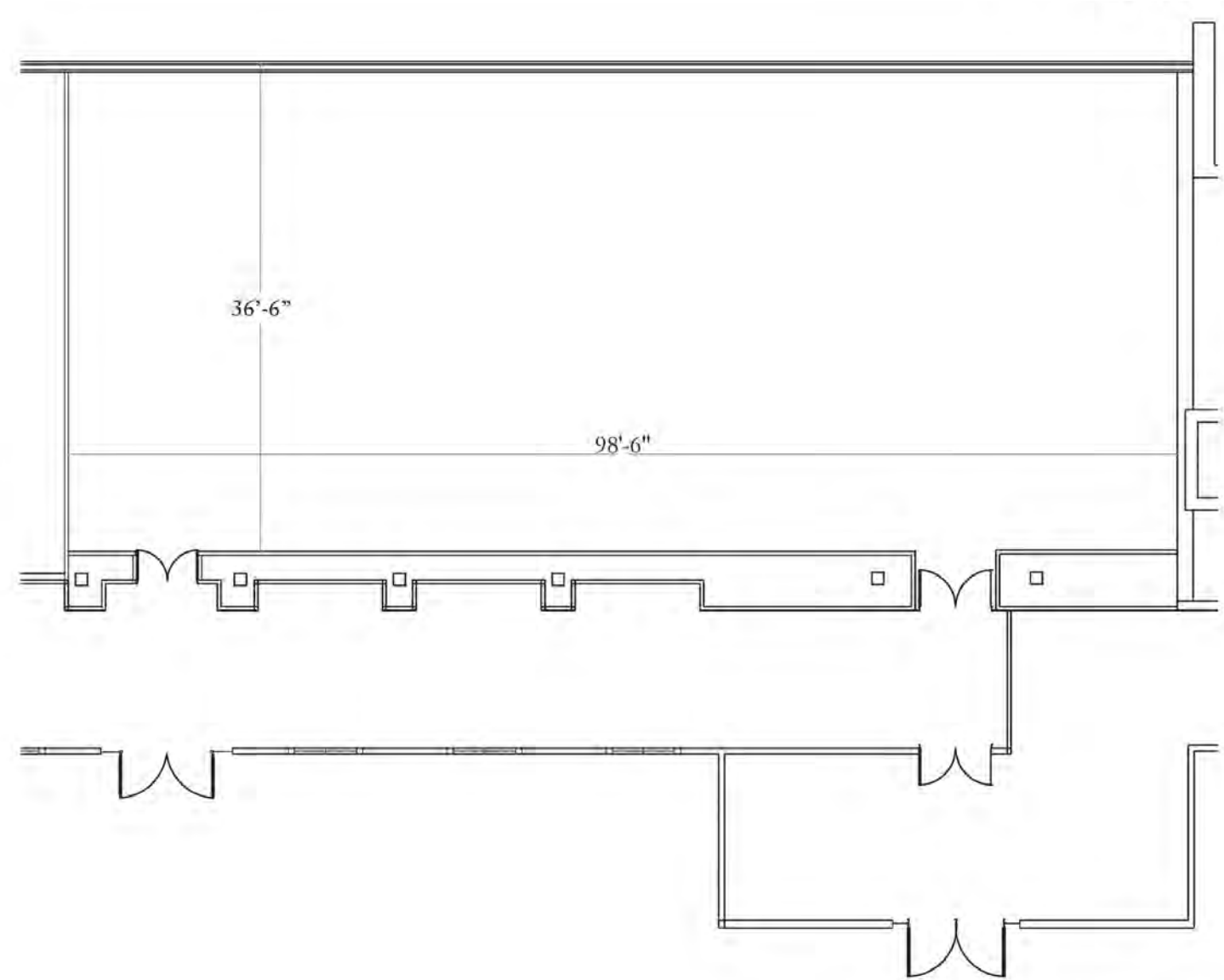
RESERVE ROOM

Up to 200 cocktails



MERITAGE BALLROOM

Up to 150 seated dinner with dancing; 200 seated dinner only

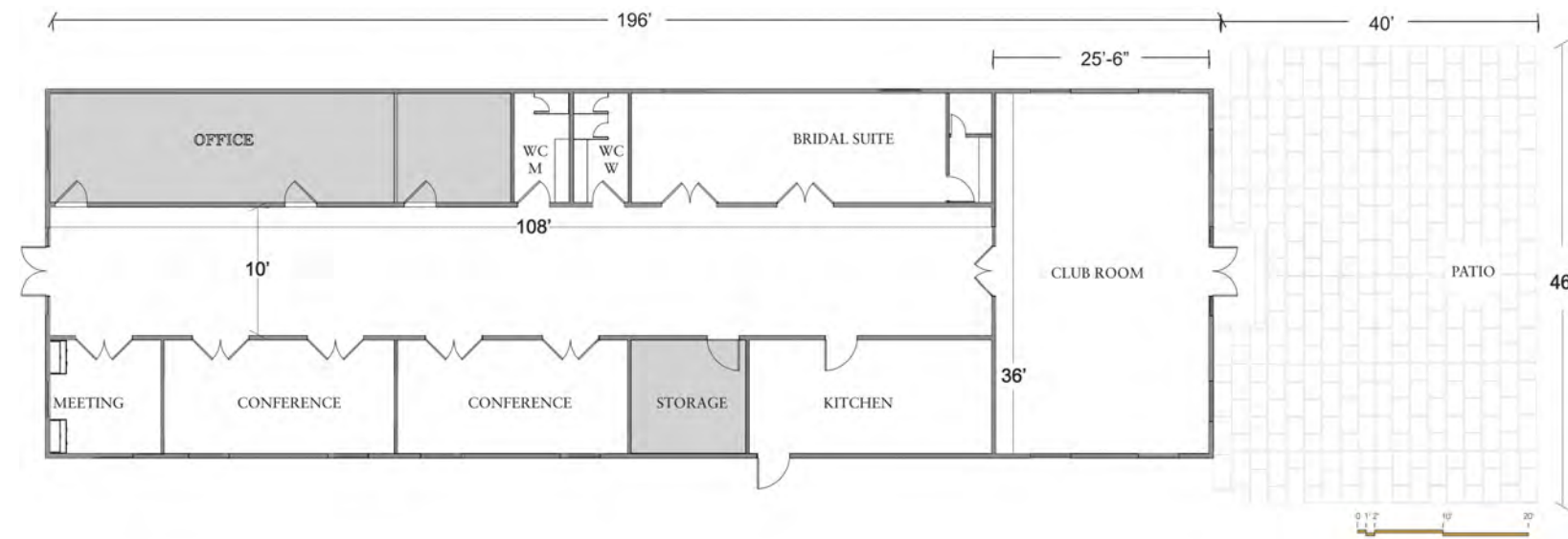


Floor Plans - The Barn and Pavilion

BARN

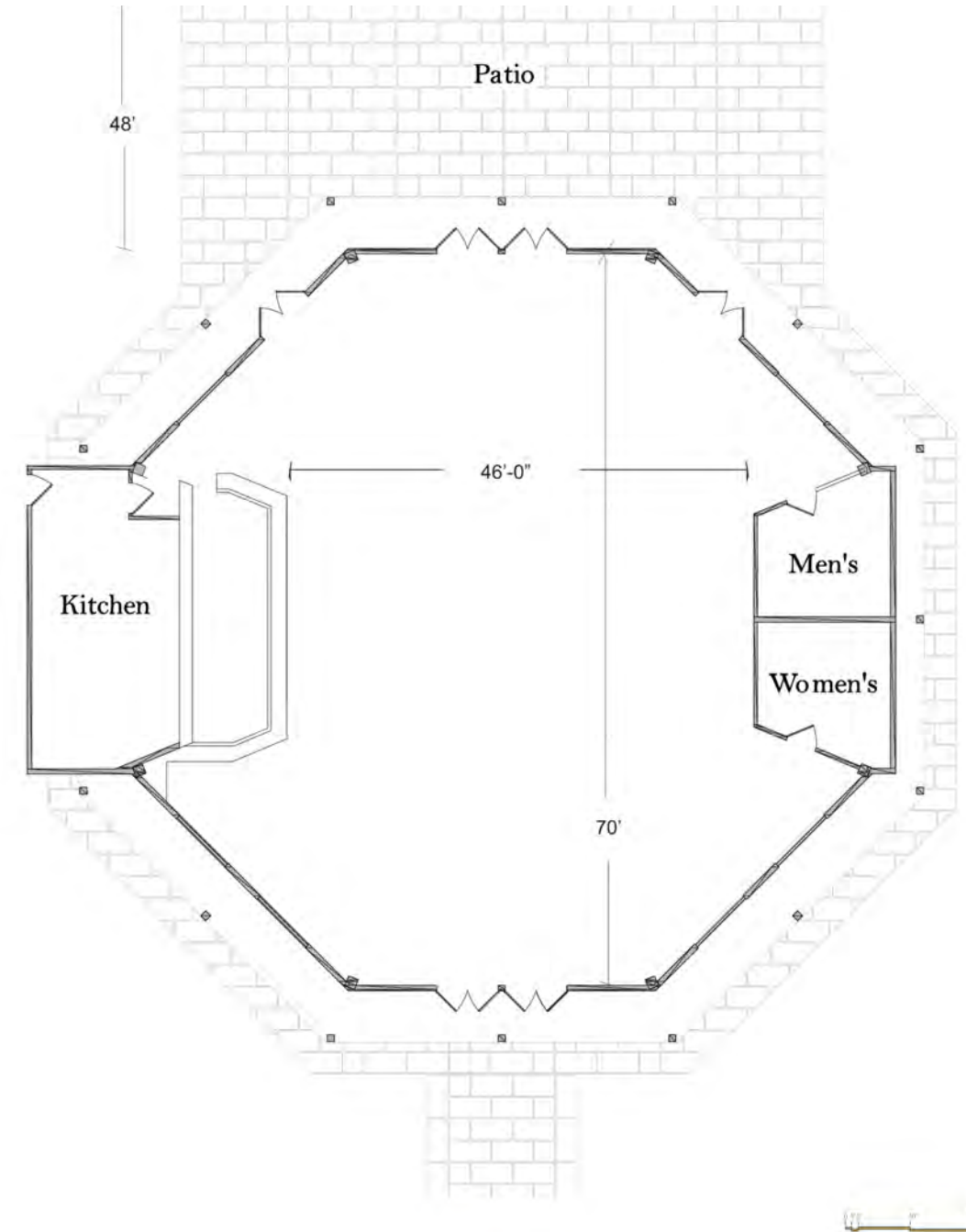
Up to 100 seated dinner, 150 cocktails, 150 ceremony (Quarter Hall)

Up to 60 seated dinner, 100 cocktails (Club Room)



PAVILION

Up to 150 seated dinner with dancing; 200 cocktails



Frequently Asked Questions

How do I book a date?

Signed contract and 50% deposit. The balance payment is due one (1) month prior to the event.

What's the cancellation policy?

If the Client cancels the Event, all monies paid to the Winery shall be forfeited and will not be credited to future Events. The Client must provide written notice to the Winery to cancel an Event.

What are your policies regarding alcohol?

You must purchase one case (12 bottles) of Trump Wine for every 25 guests. You will receive a 15% discount on all wine purchased for your event. Outside wine is not permitted. You may arrange beer and liquor with your caterer. Most caterers permit alcohol and beer to be provided by the client. If you choose to do so, you will need to secure a 1 day [ABC banquet license](#).

Who is responsible for setting up and breaking down the decor, and when will it be completed?

Catering will provide most of the labor for the event and will set up and break down all of the rentals. Cleanup must be completed no more than 2 hours after the event.

Is a dance floor included in the site fee?

Yes.

Is there a military discount?

Yes, a 10% discount is available for active military.

Do you allow live bands?

Yes. Please note that Albemarle County Code requires noise never exceeds 95 decibels at the property line.

Does your venue require event insurance?

Yes. The Client must submit a Certificate of Liability Insurance (CLI) naming Eric Trump Wine Manufacturing LLC as additionally insured for \$1 million on the date of the event.

Where does the ceremony take place? Is there a back up ceremony location?

Both of our venues have gorgeous indoor and outdoor ceremony locations. In the event of inclement weather, you can relocate your ceremony inside without additional cost or inconvenience.

Are there decoration guidelines/restrictions? Can I use real candles?

Affixing any banner, streamer, or other material to the walls, floors, ceilings, furniture, fixtures, furnishings, or other property belonging to the Winery is prohibited. Décor such as drapes or signs that are freestanding are allowed. Furniture may not be moved. Candles are permitted provided that they are held in a container that collects the wax.

What is the smoking policy?

Smoking is allowed outdoors in designated areas.

Do you have a list of preferred vendors?

Yes. We require the use of a Caterer from our list and the use of a Day-of Event Planner. With other vendor categories, we highly recommend you choose from our preferred list as they represent the best in the business, and are familiar with our property and policies. However, if you would like to choose another vendor, please note that the Winery must pre-approve the vendor prior to hiring. All vendors are required to carry liability insurance and submit a Trump Winery waiver before being hired.

What time do guests have to leave the venue? Can we purchase additional time?

Event contracts begin at 12 noon with the conclusion no later than 11 pm. All guests must depart the property by midnight (12AM). Additional time may be added to the beginning of the contract at a rate of \$500 per half hour.

Can the wedding party get ready at the venue?

Yes, dressing suites are available in both venues. You may get ready on-site starting at 12pm.

Can we have an onsite rehearsal?

Yes, rehearsals typically last an hour and can be booked in advance with the Events Manager.

Do you provide restrooms for my guests to use?

Yes, both venues have ample interior restrooms.

What is permitted during send-off at Trump Winery?

We allow bubbles, rose petals, and sparklers with a proper receptacle. We do not permit rice, birdseed, confetti, or wish lanterns.

Is there enough parking for my guests and is it complimentary?

Yes.

What staff is provided?

One Event Staff will be present throughout the duration of your event. The Event Staff functions as an onsite venue manager and point of contact for the Client and associated vendors. This person is in charge of the facility and will generally be out of sight.

Does the venue provide transportation onsite?

No. While not required, we do recommend that you provide shuttles for your guests. It can be challenging to find late night taxi service unless it has been prearranged.

Preferred Vendors - Policy

The process of selecting vendors can seem overwhelming as you begin to plan your event. At Trump Winery, we provide a fully vetted Preferred Vendor List to help you along the way. There are many amazing wedding vendors to choose from, and we are confident that your perfect fit will be found. There are a few guidelines and policies that must be met as you begin to choose your vendors, so please do not hesitate to contact the Event Manager with questions as they arise.

We require the use of a caterer from our Preferred Vendor List. Caterers not on the list would not be approved to work at the winery. We also require the use of a professional event planner for "day-of" coordination services. For any of the event categories, other than the caterer, we highly recommend choosing from the preferred list as they are the most familiar with our venues and we can stand behind their quality and service.

If you choose to select a vendor that is not on our Preferred Vendor List, you must submit the vendor to the Event Manager for approval before a contract is signed for their services. It is extremely rare that a third-party vendor is not approved, but we want to ensure they agree to our vendor policies before you engage with them in a contract. All vendors who are hired for your event must have a signed vendor waiver and vendor agreement on file. These documents will be provided to you upon signing.

In addition, Winery-approved third-party vendors must carry insurance coverage listing the Winery as an additional insured, and should include general liability, workers compensation, and may include automobile liability.

We look forward to working with you and your vendors through the planning process.

Beth Zitzman
Events Manager

Trump Winery
events@trumpwinery.com
434.443.3072

Preferred Vendors

Caterers (required)

C&O Catering
candorestaurant.com

Eric Stamer Catering
ericstamer.net

The Catering Outfit
cateringoutfit.com

Exchange Events & Catering
exchangecatering.com

Glorious Foods
gloriousfoodscatering.com

Occasions Caterers
occasionscaterers.com

Harvest Moon Catering
hmcatering.com

Mosaic
mosaiccateringevents.com

The Local
catering.thelocal-cville.com

I'etoile Catering
letoilecatering.com

Florists

Blue Ridge Floral Designs
blueridgefloral.com

Foxtail Cottage Floral
foxtailcottage.com

Beehive
beehiveevents.com

Gregory Britt Design
gregorybrittdesign.com

Tourterelle
tourterellefloral.com

The Dogwood Tree
thedogwoodtreeflorist.com

Floral Images Design Studio
floralimagesdesignstudio.com

Colonial Florist
colonialfloristandantiques.com

Makeup & Hair

Glam Squad
loustevens.com

Posh Bride
poshbrideva.com

Anne Kibler
charlottesvillemakeupartist.com

Makeup By Holly
makeupbyhollyb.com

Event Planners

Just a Little Ditty
justalittleditty.com

Amore Events
amoreeventscsco.com

White Birch Events
whitebirchevents.com

Kim Newton Weddings
kimnewtonweddings.com

Donovan-Groves Events
donovangrovesevents.com

Barb Lundgren
barbwiredllc.com

Greenery and Grace
greeneryandgrace.com

Smith & Co.
codysmithweddings.com

Magnum Opus Events
magnumopusevents.com

Hannah Rose Design
hannahroseeventdesign.com

Entertainment

Sam Hill Entertainment
samhillbands.com

Sound Enforcement
soudenforcement.com

Derek Tobler
djtobler.com

Beats by Goodman
beatsbygoodman.com

20 South Productions
20south.net

Party Masters
vapartymasters.com

Prime Time Event Group
pteventgroup.com

John Garland
garlandstudiosonline.com

Photographers

Aaron Watson Photography
aaronwatsonphoto.com

Ward Photography
wardpics.com

Rob Garland Photographers
robgarland.com

Tod Cohen Photography
todcohen.com

Jack Looney Photography
jacklooney.com

Sam Stroud Photography
samstroudphoto.com

Jason Keefer Photography
jasonkeefer.photography

Mary G Family Photography
marygfamilyphotography.com

Videographers

Ian's Creations
vaweddingvideo.com

Graphic Design & Invitations

Rock Paper Scissors
thinkrpssville.com

Photo Booth

Mox Box
getmoxbox.com

Calligraphy

Heather Belle Rolfe
heatherbelleink.com

Photo Booth of Charlottesville
photoboothcharlottesville.com

If So Inklined
ifsoinklined.com

Tod Cohen Photography
todcohen.com

Preferred Vendors

Transportation

Albemarle Limousine
albemarlelimousine.com

Ambassador Limousine
ambassadorlimos.com

A&A Limousine
aandalimo.com

Camryn Limo
camryn-limo.com

Quick's Transportation
quicksbus.com

Blue Ridge Tours
blueridgetours.com

Cville Travel and Tours
cvilletours.com

Lighting and Audio Visual

Blue Ridge Event Production
blueridgeeventproduction.com

The AV Company
theavcompany.com

Helicopters

Skyline Heli
(757) 575-6792

HeloAir
(804) 226-3400

Food Trucks

Carpe Donut
carpedonut.org

106 Street Food
the106events@gmail.com

Blue Ridge Pizza
blueridgepizza.com

Salty Bottom Blue Oysters
saltybottomblue.com

Philosopher's Stone Pizza
philosopherstonepizza.com

Tents

Skyline Tents
skylinetentcompany.com

Virginia Tent Rental
vatentrental.com

Rentals

MS Events
mseventscville.com

Stonegate Rentals
stonegateeventrentals.com

Ceremony Music

Peter Richardson - Guitar
richardsonguitar.com

Eve Watters - Harpist
evewatters.com

Silverleaf String Quartet
silverleafstringquartet.com

Melodious Strings
melodiousstrings.com

Paisley & Jade
paisleyandjade.com

Barbara Moore - Organist
btmoore30@hotmail.com

Brian Sousa - Organist
briandeousousa@gmail.com

Adeline Tanous - Harpist
adelinetanous21@gmail.com

Bakeries

Cakes by Rachel
mycakebyrachel.com

Passionflower Cakes
passionflowercakes.com

Mahila Creations
malihacreations.com

Cake Bloom
cakebloom.com

Buttercream Dreams
dreamnbutcream@yahoo.com

Horse Carriage

Classic Carriage
classiccarriageva.com

Fireworks

Virginia Skypainters
franciscodisplayfireworks.com/

Officiant

Brian Purcell
twobecomeoneministry.com

Rev. Claire Goodman
sacredgroundceremonies.com

Rev. Gay Lee Einstein
weddingpreacherforhire.com

Dave Norris
letdavemarryyou.com

