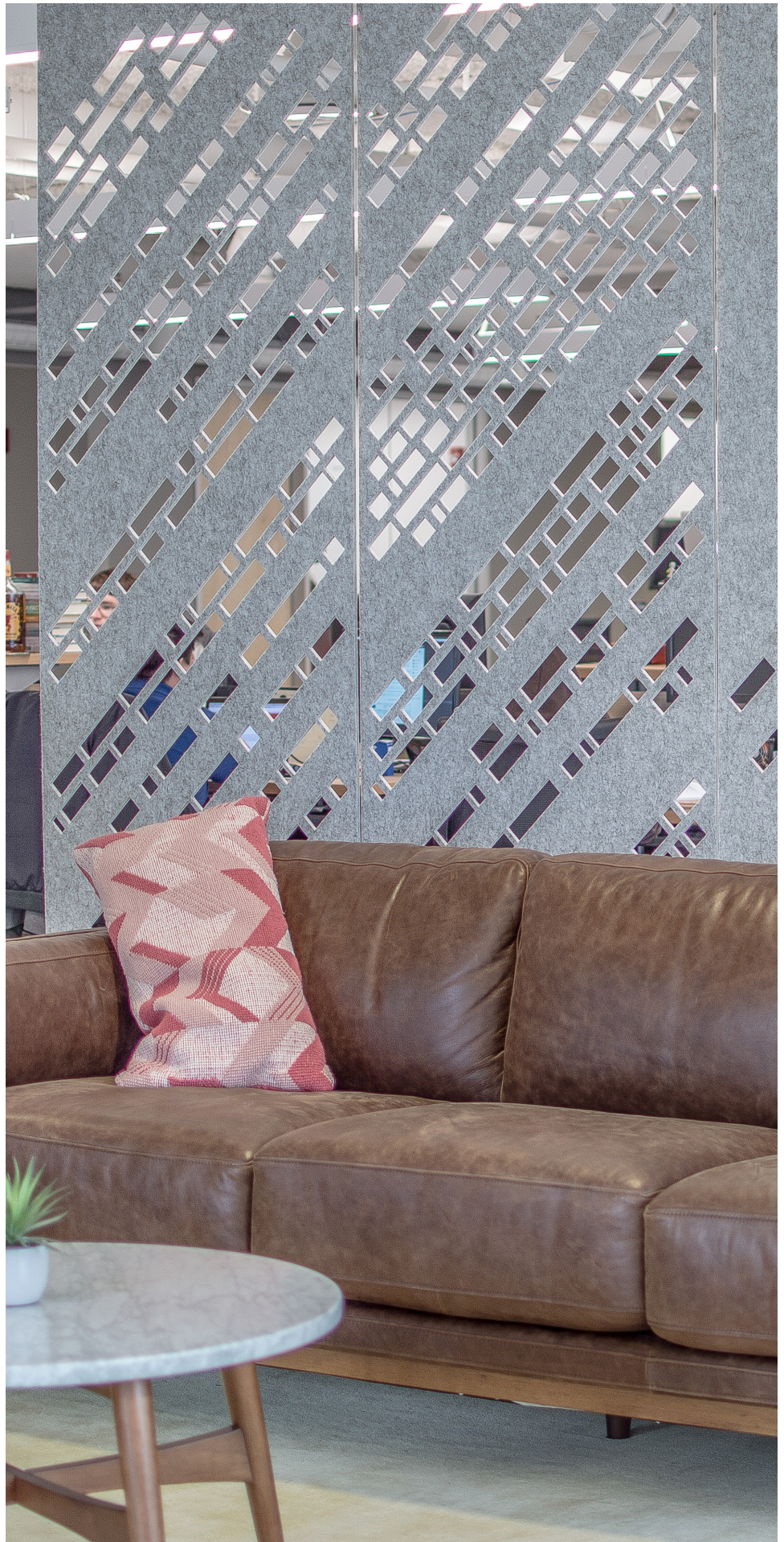


FLOW movable screen

Go with the Flow

Separate your space in statement-making style with the Flow Wall — the acoustic wall partition system that's equal parts beauty and brains, with an NRC rating of .85 and original patterns and colors to enhance your design. Easy to order, inexpensive to ship and quick to install, the Flow Wall proves that on-demand acoustic privacy can be a beautiful thing.



PATENT PENDING

SPECS

PRODUCT

Flow Wall

CONTENT

Polyester (PET) felt
60% pre-consumer recycled

SIZING

Custom is TURF's standard.
Everything is made to order, and
can be adapted to fit unique
spaces.

DIMENSIONS

LENGTH

Varies and is specified in order

INDIVIDUAL PANEL SIZE

Up to 48" x 120"

THICKNESS

9 mm

TRACK WIDTH

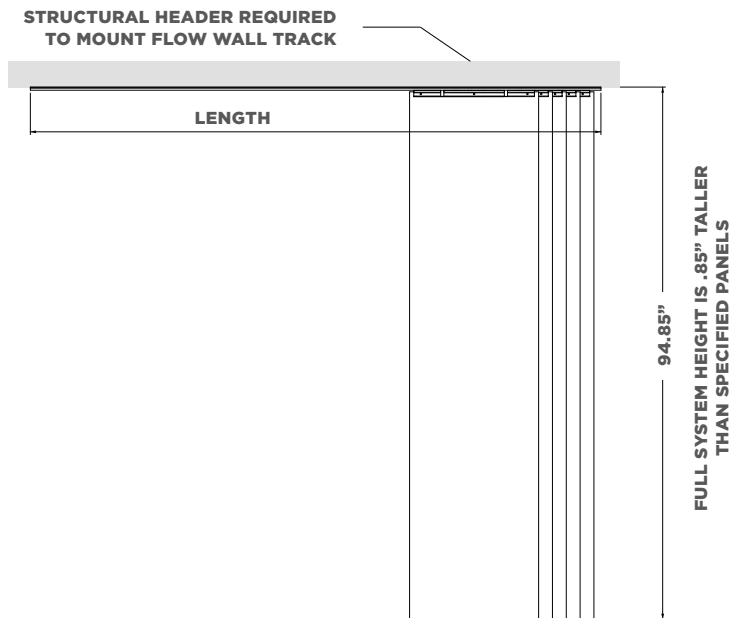
3.5"

CONNECTIONS

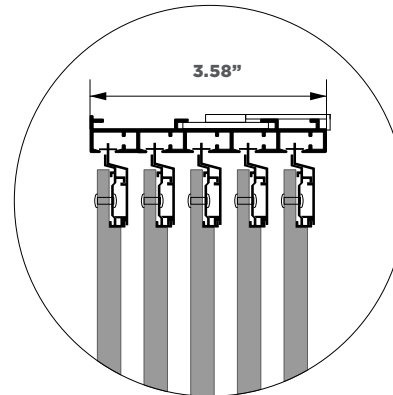
ALUMINUM ROLL TRACK PANEL SYSTEM

(Supplied by TURF)

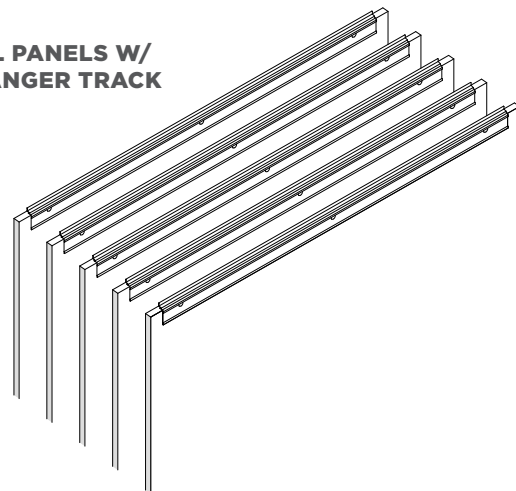
Mounting brackets are supplied in
quantities of 1 per 2 linear feet of
channel track.



SIDE TRACK DETAIL



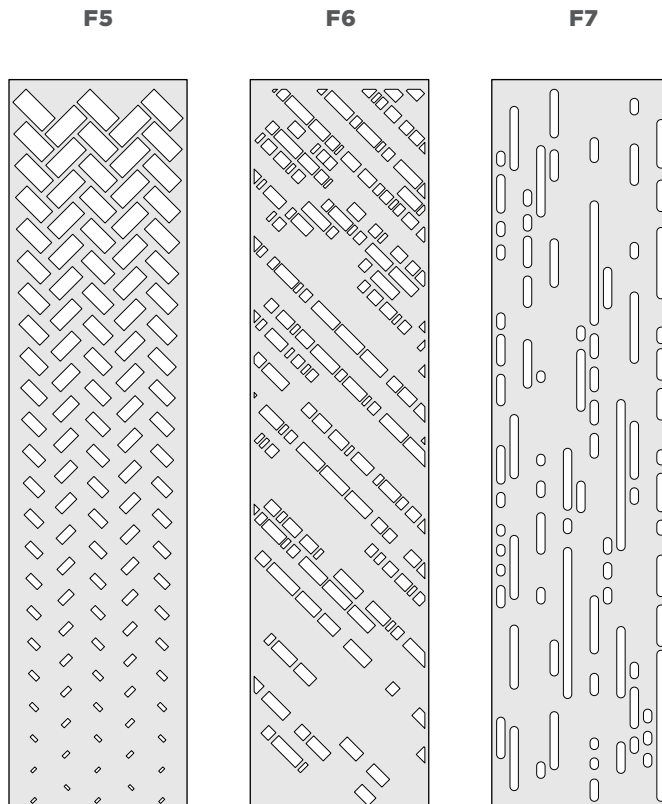
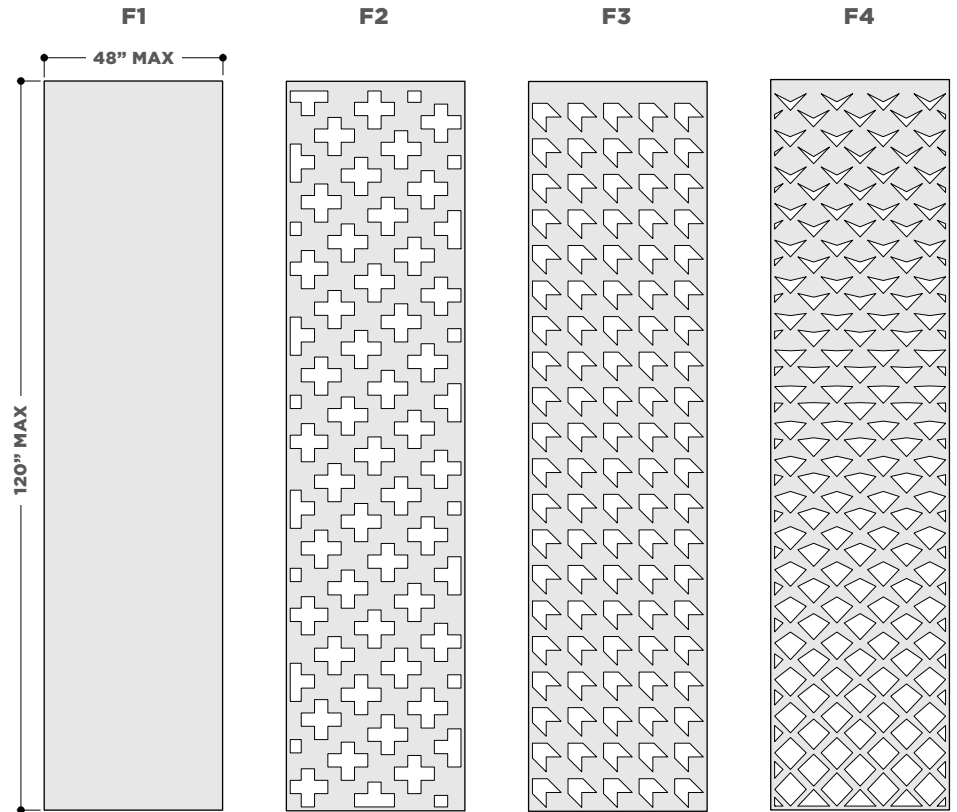
5 FLOW WALL PANELS W/ EMBEDDED HANGER TRACK



PATTERNS

FRONT ELEVATION

Patterns shown will be modified to fit the size of the panels ordered. Pattern will fill pattern area.

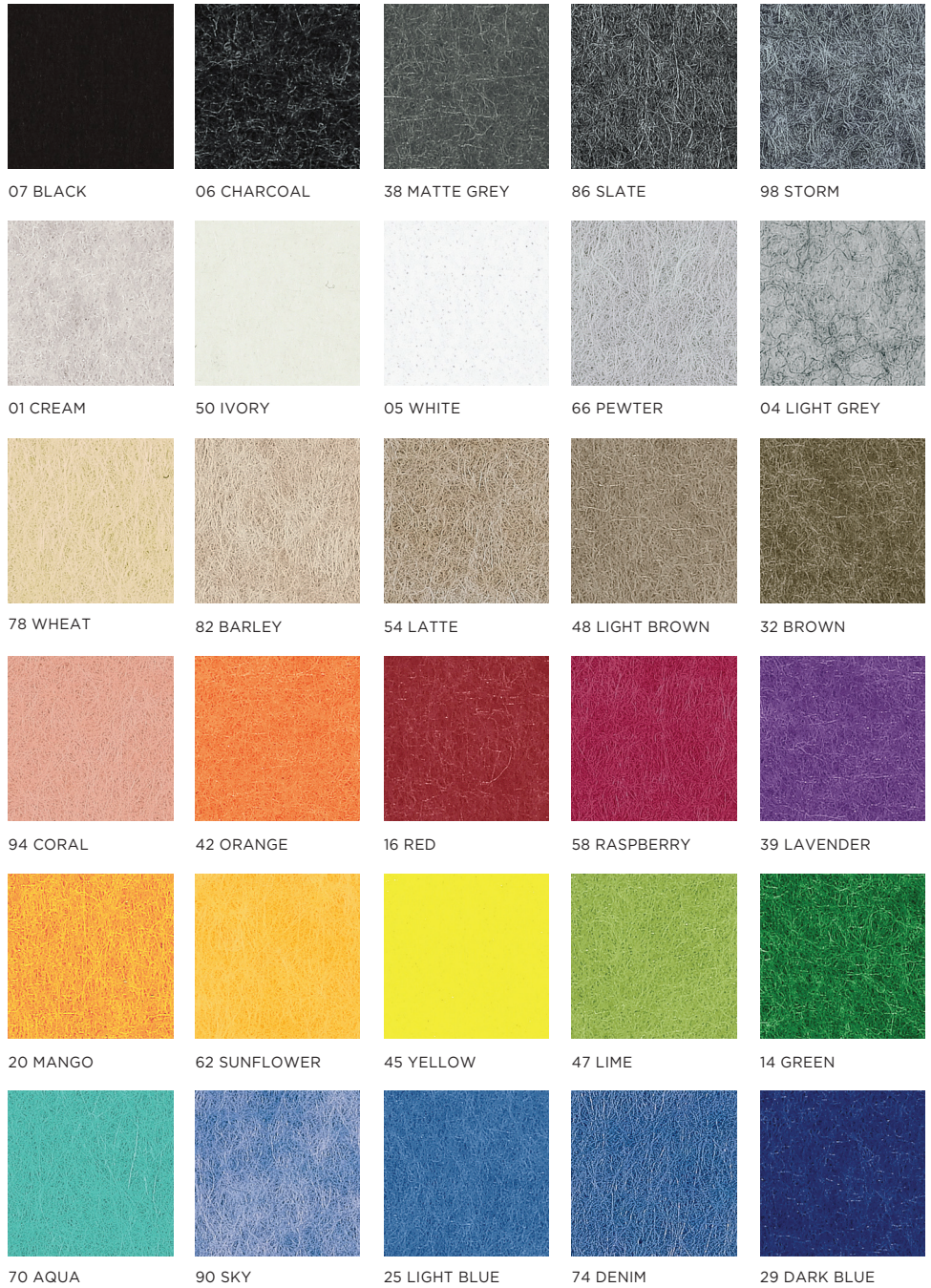


9MM FELT

This product is made with 9 mm PET felt board. The process used to create PET felt often results in a heathered effect where multiple tones are present. Slight variations in color should be expected when using this sustainable material.

Felt thickness is 9 mm +/- 0.5 mm.

Monitors and printers vary. Please request a material sample to verify felt colors.



TECH

ACOUSTICS

ASTM C423-17: Type J Mounting

FIRE RATING

ASTM E-84 - Class A

VOC

ASTM D5116 Compliant

DETAILS

DURABILITY

Contract

LEAD TIME

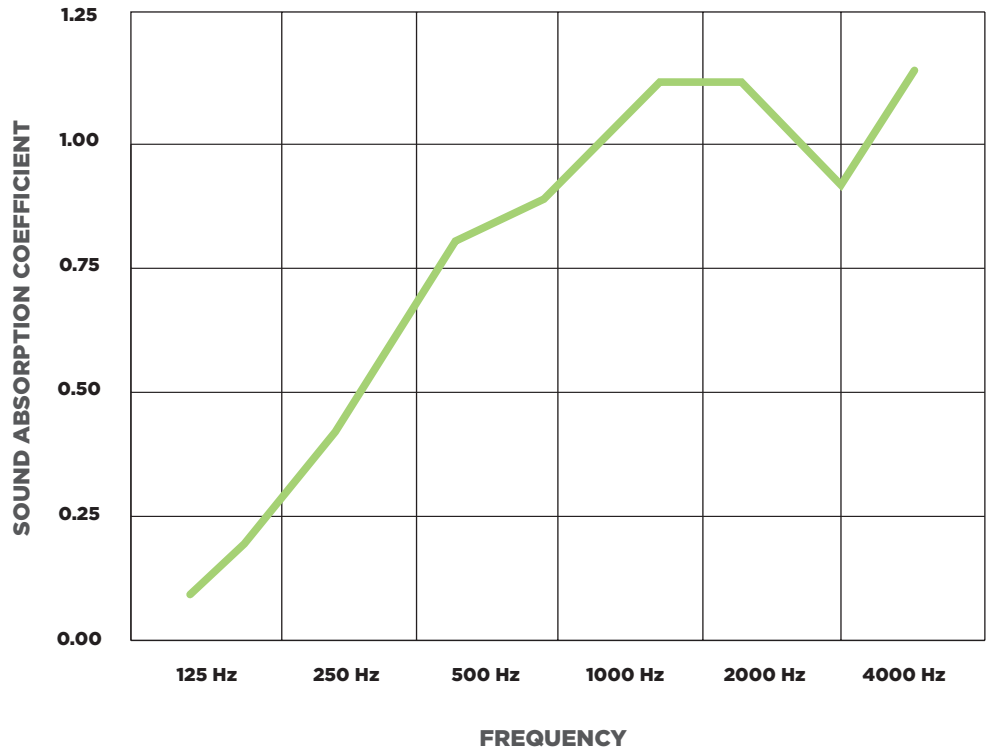
Ships in four (4) weeks

WARRANTY

Three (3) years

MAINTENANCE

Vacuum to remove any particulate matter and air-borne debris or dust. Compressed air can be used to dust the material in difficult to reach areas for large assemblies. Contact us for more information relative to spot cleaning.



A20-254 NRC = .50

ASTM C 423-17: Type J Mounting: The specimen is an array of spaced sound absorbing baffles suspended from a cable approximately 1206.5mm (47.5 in.) above the horizontal test surface. This approximates the mounting method of a typical ceiling baffle installation. The baffles were evenly distributed in four rows four units each. Baffles were spaced 305 (12 in.) apart. Rows were spaced 762mm (30 in. apart)

Declare.

TURF 9mm PET Acoustic Panel
Turf Design

Final Assembly: Elgin, Illinois, USA
Life Expectancy: 50 Year(S)
End of Life Options: Salvageable/Reusable in its Entirety, Recyclable (100%)

Ingredients:
Polyethylene terephthalate; PET; Antioxidant 1076; Benzenamine, 4-(1-methyl-1-phenylethyl)-; N-(4-(1-methyl-1-phenylethyl)phenyl)-; Benzene propanoic acid, 3,5-bis(1-(dimethylethyl)-4-hydroxy-, octadecyl ester; Octadecanamide, N,N-12-ethanediybis-; Stearic Acid; Titanium dioxide

Living Building Challenge Criteria: Compliant

I-13 Red List:
 LBC Red List Free % Disclosed: 100% at 100ppm
 LBC Red List Approved VOC Content: Not Applicable
 Declared

I-10 Interior Performance: CDPH Standard Method v13-2010

I-14 Responsible Sourcing: Not Applicable

TFD-0002
EXP: 01 NOV 2021
Original Issue Date: 2019

FOR MORE INFORMATION ON LBC CERTIFICATION, VISIT: www.livingbuildingchallenge.org/declare
INTERNATIONAL LIVING FUTURE INSTITUTE™ living-future.org/declare

