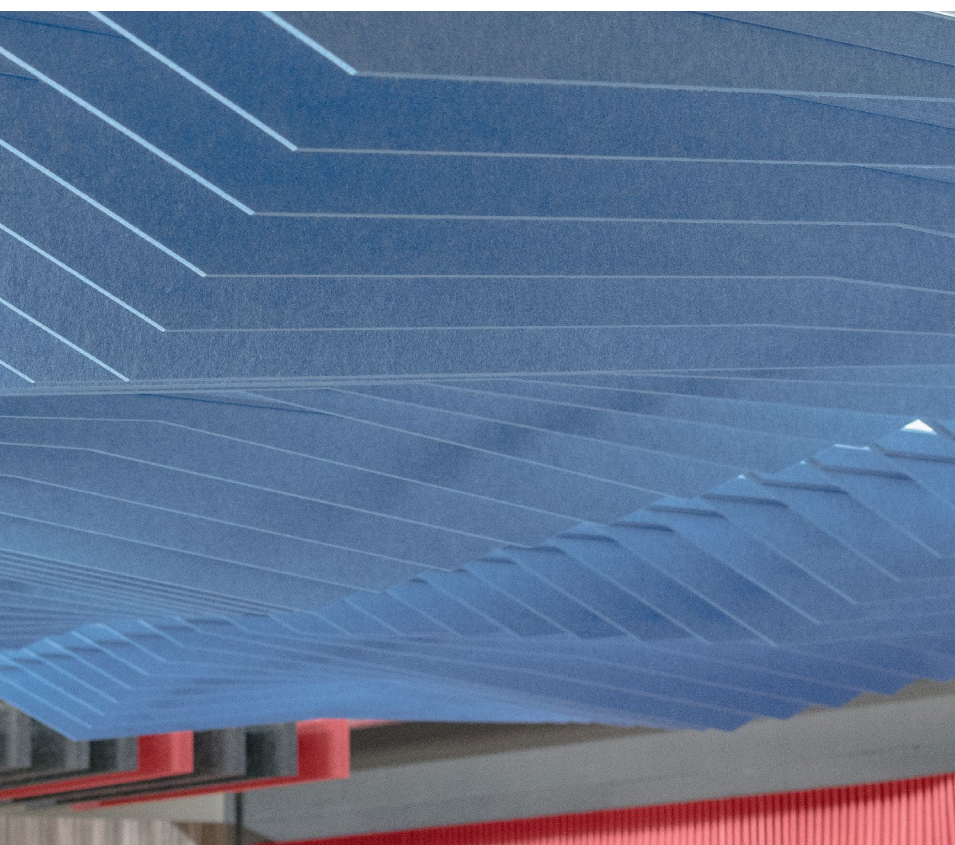




Ridge Baffle

by

T U R F

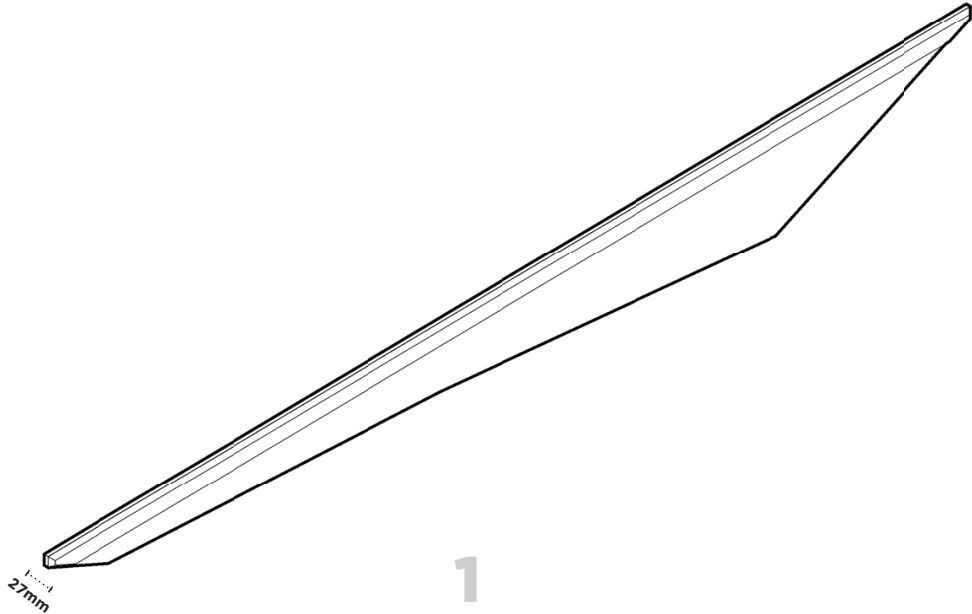


Ridge Baffle

CUSPATE & OSCILLATING

The Ridge Baffle, with its crisp profile and gradual change in pattern, swings like a metronome, pendulating from peak to peak. Designed to work with standard connection systems, Ridge installs in seconds. This is where flowing aesthetics and acoustic performance meet in harmony.

Baffle Sizes

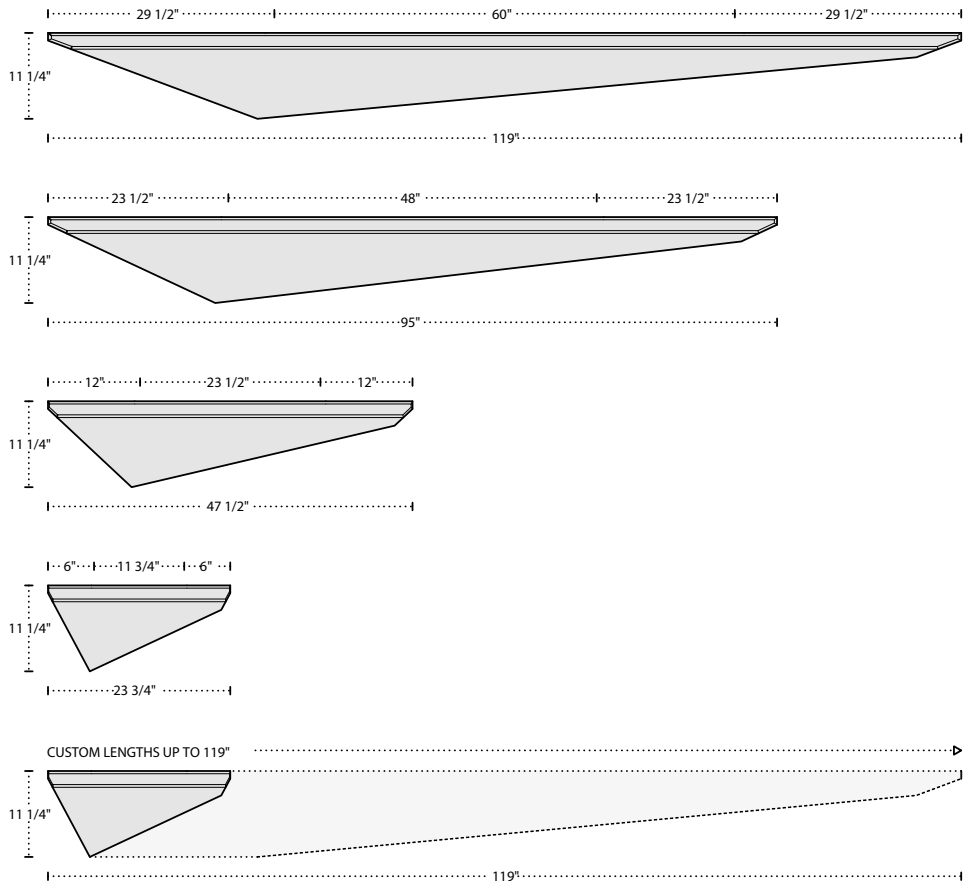


1

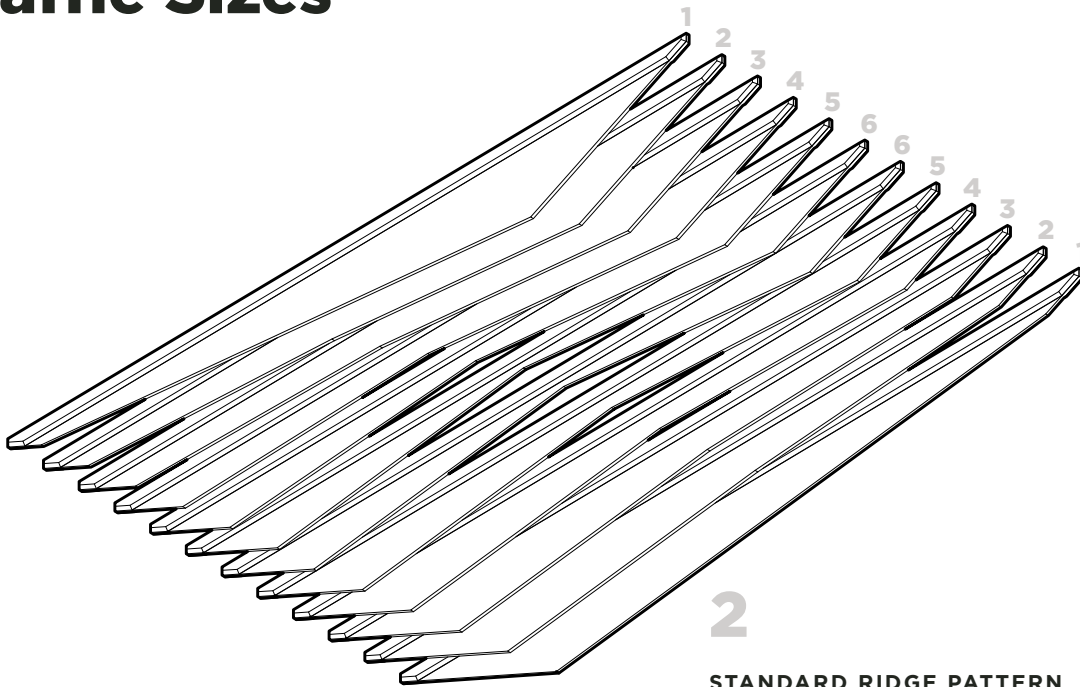
BAFFLE PERSPECTIVE

Ridge is made of 9mm Recycled PET felt sandwiched between 2x 9mm stiffeners. In addition to custom lengths up to 119", Ridge also comes in four standard sizes, making this product incredibly flexible.

STANDARD LENGTHS

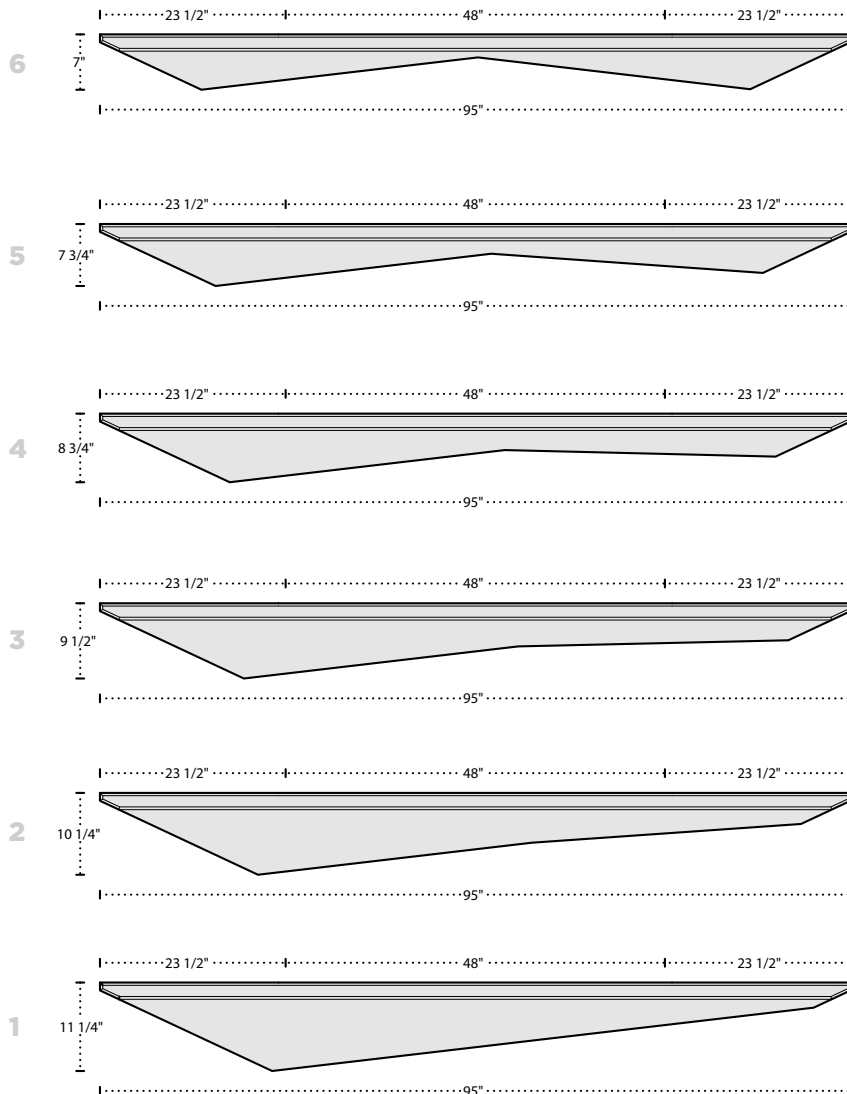


Baffle Sizes

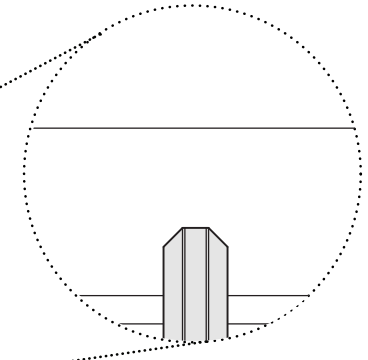
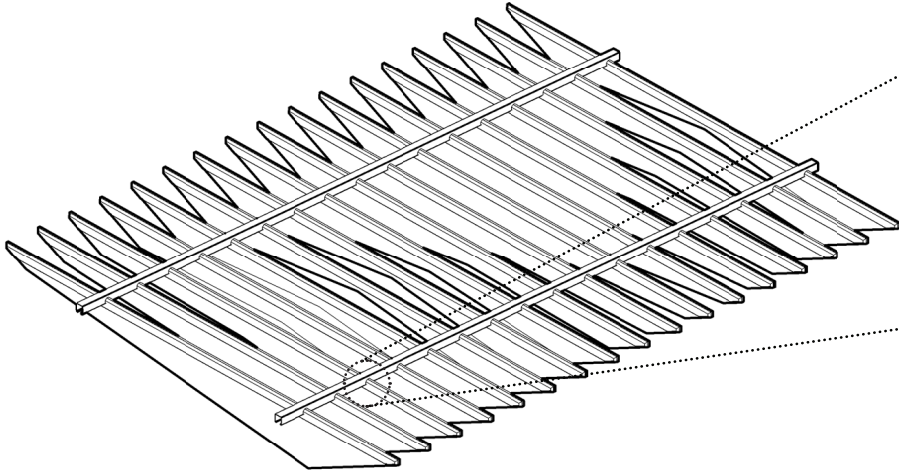


STANDARD RIDGE PATTERN

The Ridge Ceiling System pattern is made of six unique baffles installed in sequence. When rotated, the undulation repeats continuously.

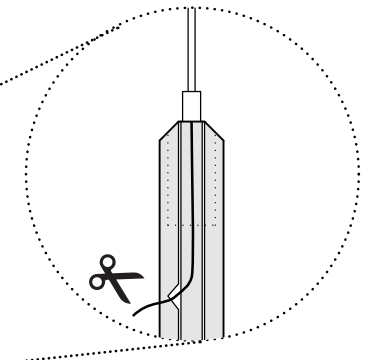
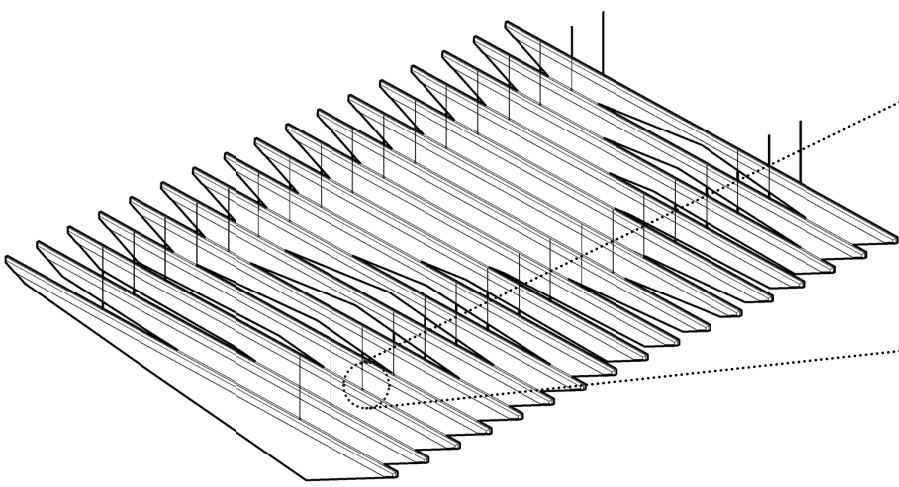


Connection Types



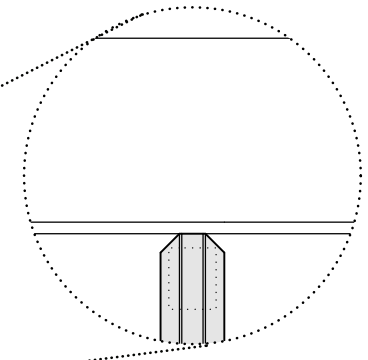
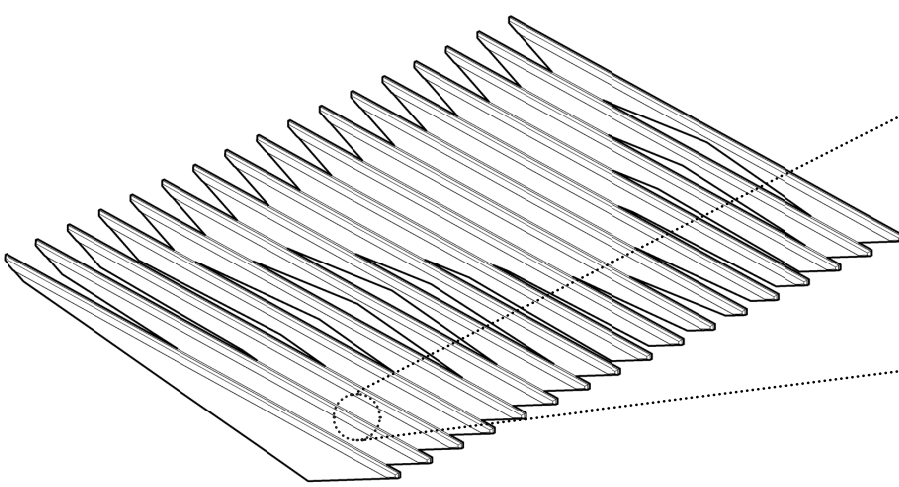
FELT LOCK

The baffles are — **in seconds** — snapped into place in standard lengths of **unistrut** — the industry's most universal installation hardware.



CABLE SUSPENSION

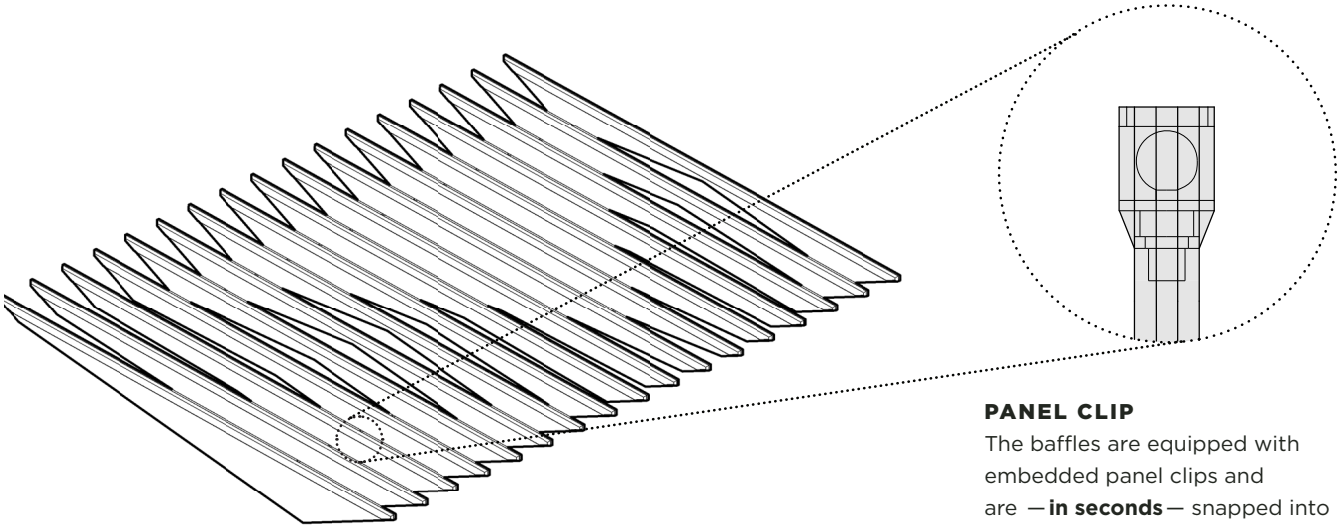
The baffles have embedded cable grippers, enabling them to snap - **in seconds** - into deck mounted **aircraft cables**.



MAGNETIC CONNECTION

These magnetic baffles snap directly to **any ferrous metal hardware** making this baffle incredibly versatile and easy to install.

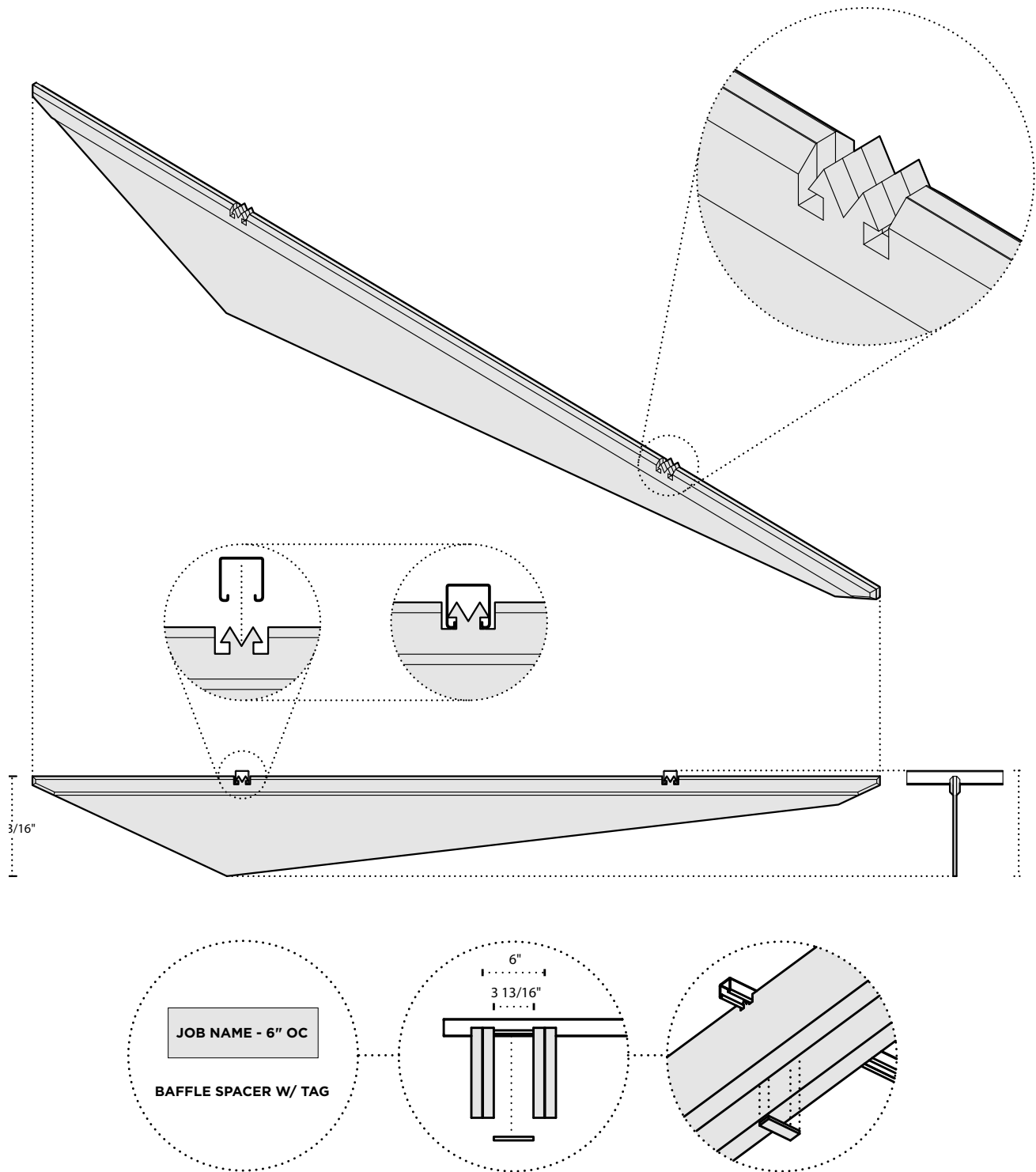
Connection Types



PANEL CLIP

The baffles are equipped with embedded panel clips and are — **in seconds** — snapped into place.

Felt Lock



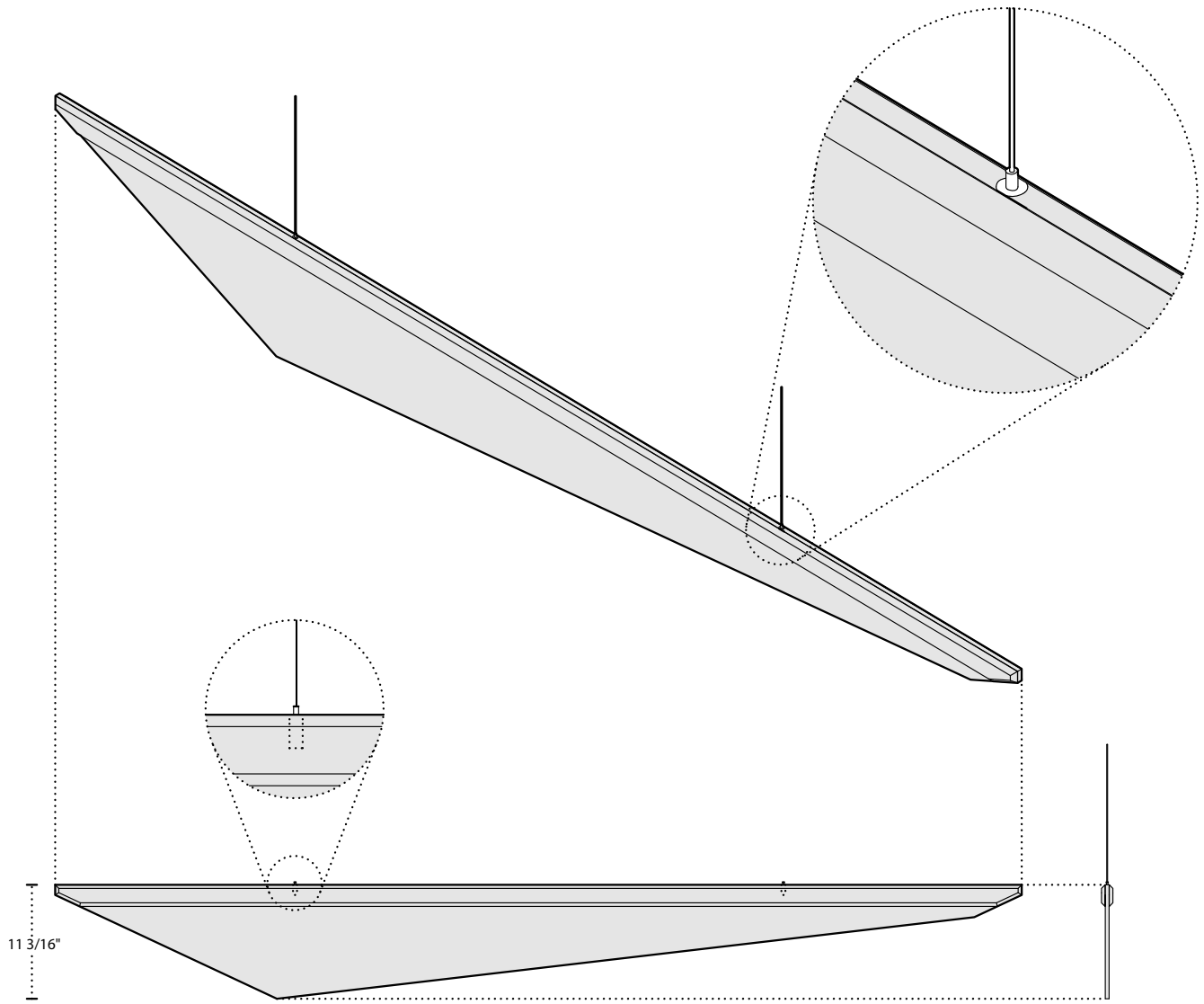
1

*Spacing dependent on project

BAFFLE ASSEMBLY

The baffles are — **in seconds** — snapped into place in standard lengths of **unistrut** — the industry's most universal installation hardware. Evenly spaced with 9mm strips of felt that slide into the unistrut channel in between baffles.

Cable Suspension

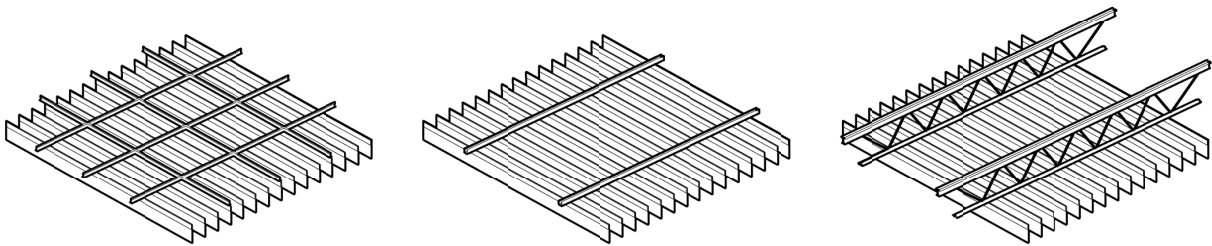
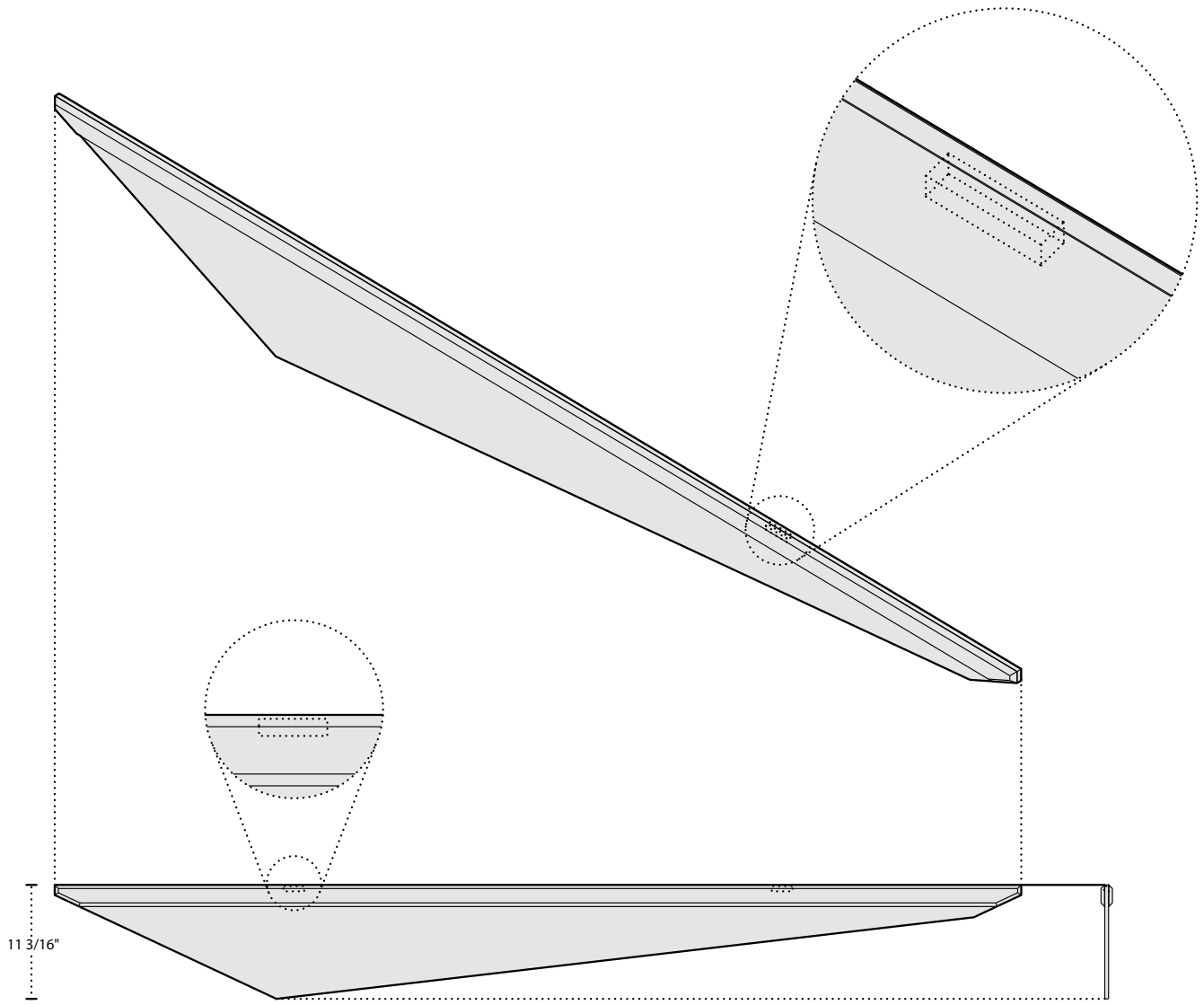


2

BAFFLE ASSEMBLY

Attached directly to the deck, aircraft cables can be arranged in any desired pattern. The baffles have embedded cable grippers, enabling them to snap - **in seconds** - into the deck mounted cables.

Magnet

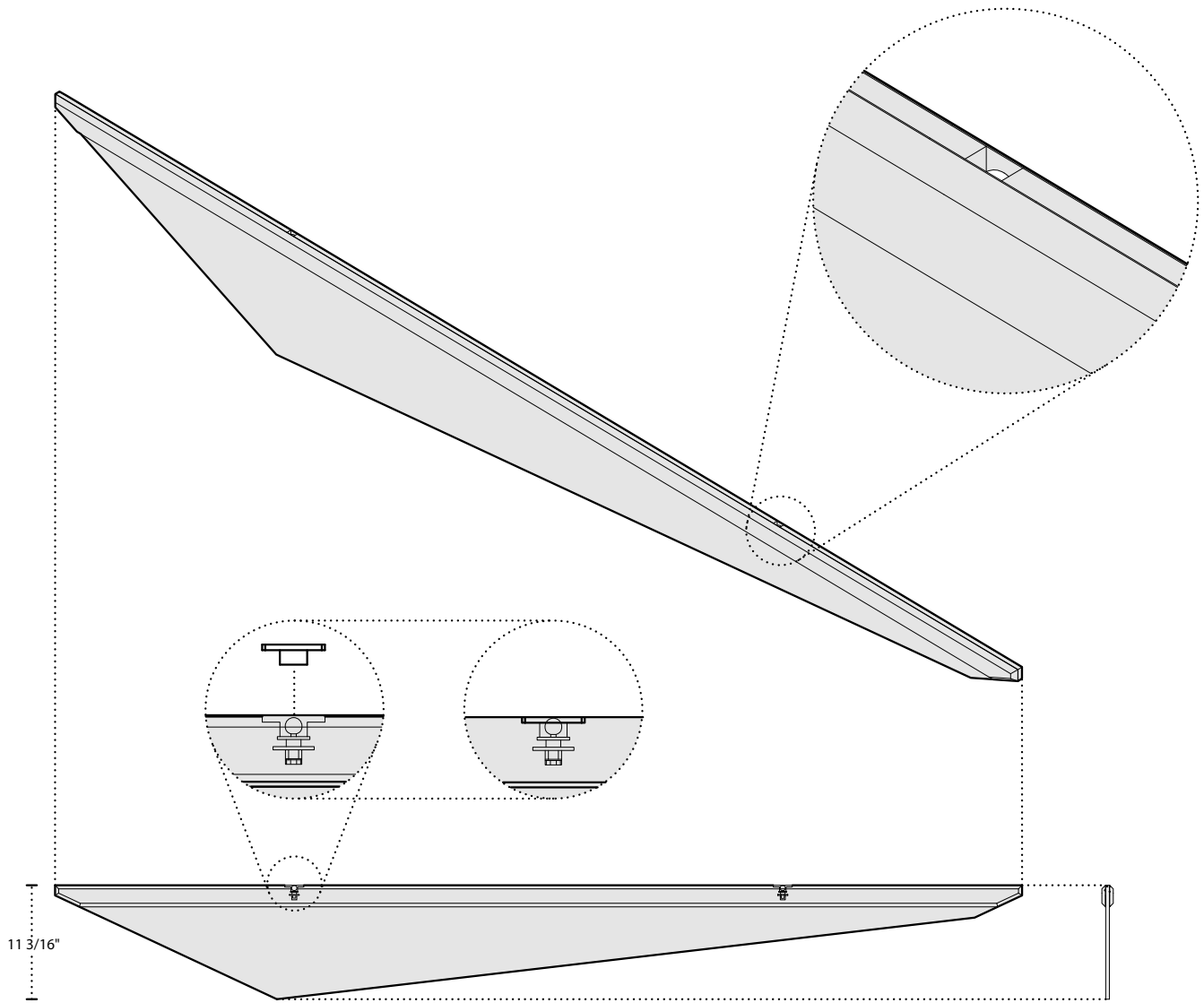


3

BAFFLE ASSEMBLY

These Magnetic baffles snap directly to **tee bar**, **unistrut**, or **steel joists**, making this baffle incredibly versatile and easy to install.

Panel Clip



4

BAFFLE ASSEMBLY

These male panel clip embedded baffles snap directly to ceiling mounted **female panel clips**, making this baffle incredibly easy to install directly to any finished surface.

Specifications

PRODUCT NAME	Ridge Baffle
CONTENT	Up to 60% Pre-Consumer Recycled Content Polyester Felt
FELT THICKNESS	9mm
PANEL THICKNESS	27mm
SMALLEST SIZE	7" X 23.75"
MAXIMUM SIZE	11.5" X 119"
EDGE OPTIONS	Exposed Felt
COMPONENTS	UNISTRUT P1000T Standard, Nylon Panel Clip, universal steel T-Grid, 1/16th in Aircraft Cable. (supplied by installer)
DURABILITY	Contract
MAINTENANCE	Vacuum occasionally to remove any particulate matter and air-borne debris or dust. Compressed air can be used to dust the material in difficult to reach areas or for large assemblies.
LEAD TIME	Shipped in 4 weeks.
ENVIRONMENTAL	9mm PET felt board is made from up to 99% recycled polyester plastic, over 50% of which come from recycled water bottles. TURF is pursuing product transparency for LEED V4 MR Credit 4 Option 1, and MR Credit 3 Option 2 for recycled content. TURF is pursuing a Declare Label for this product.
VARIATION	PET Felt uses a traditional 'felting' process to create its panels. This often results in a pleasing 'heathered' effect, where multiple tones are present in the fiber. Slight and consistent variations in color should be expected when using this sustainable material.
ACOUSTICS	ASTM C423-17: NRC = 0.75 (Material)
FIRE RATING	Product made from Class A PET felt material tested under ASTM E-84.

9MM FELT

TURF's Ridge ceiling baffle is made with 9mm PET felt board.

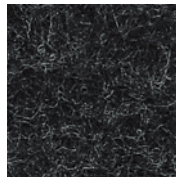
The process used to create PET felt often results in a heathered effect where multiple tones are present. Slight variations in color should be expected when using this sustainable material.

Felt thickness is 9mm +/- 0.5 mm.

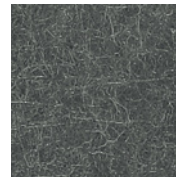
Monitors and printers vary. Please request a material sample to verify felt colors.



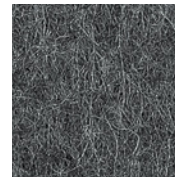
07 BLACK



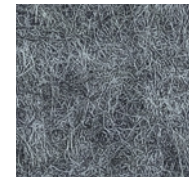
06 CHARCOAL



38 MATTE GREY



86 SLATE



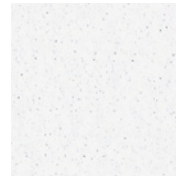
98 STORM



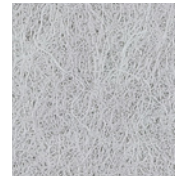
01 CREAM



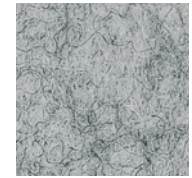
50 IVORY



05 WHITE



66 PEWTER



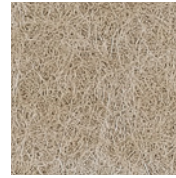
04 LIGHT GREY



78 WHEAT



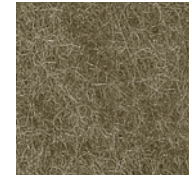
82 BARLEY



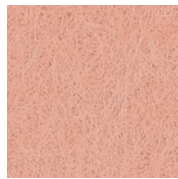
54 LATTE



48 LIGHT BROWN



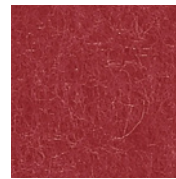
32 BROWN



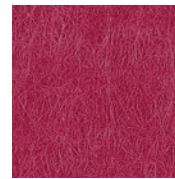
94 CORAL



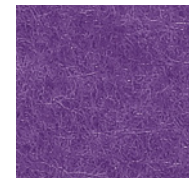
42 ORANGE



16 RED



58 RASPBERRY



39 LAVENDER



20 MANGO



62 SUNFLOWER



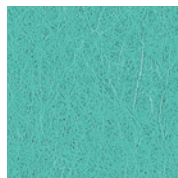
45 YELLOW



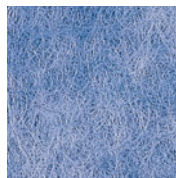
47 LIME



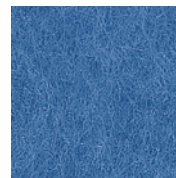
14 GREEN



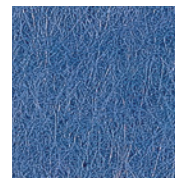
70 AQUA



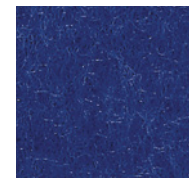
90 SKY



25 LIGHT BLUE



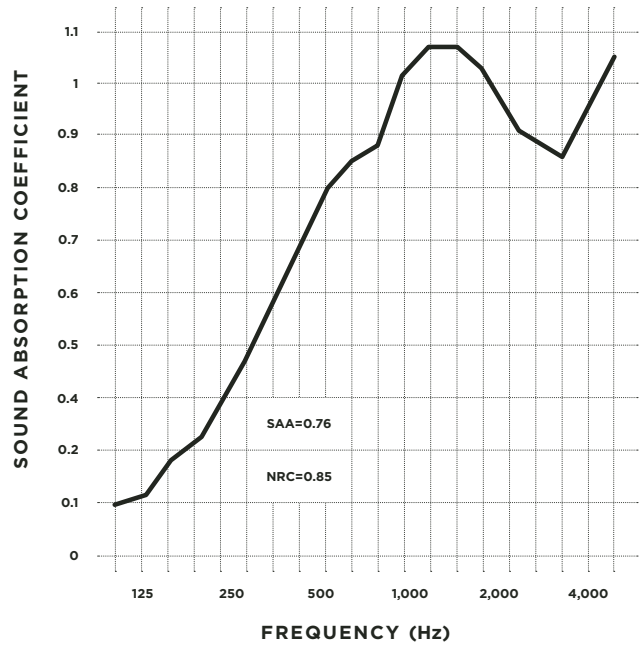
74 DENIM



29 DARK BLUE

Acoustic Testing (ASTM C 423-17)

FREQUENCY (Hz)	SOUND ABSORPTION COEFFICIENT
32	.03
40	-.01
50	-.02
63	-.07
80	.06
100	.09
125	.12
160	.20
200	.24
250	.33
315	.45
400	.59
500	.76
630	.85
800	.89
1,000	1.00
1,250	1.06
1,600	1.06
2,000	.99
2,500	.89
3,150	.83
4,000	.94
5,000	1.04
6,300	1.00
8,000	1.05
10,000	1.07
12,500	1.07



TEST ARRANGEMENT

PET Acoustic panel =400mm air layer.

Declare.

TURF 9mm PET Acoustic Panel
Turf Design

Final Assembly: Elgin, Illinois, USA
Life Expectancy: 50 Years
End of Life Options: Salvageable/Reusable in its Entirety, Recyclable (100%)

Ingredients:

Polyethylene Terephthalate; PET; Antioxidant 1076; Benzenamine, 4-(1-Methyl-1-Phenylethyl)-N-[4-(1-Methyl-1-Phenylethyl)Phenyl]-, Benzenepropanoic Acid, 3,5-Bis(1,1-Dimethylethyl)-4-Hydroxy-, Octadecyl Ester, Octadecanamide, N,N'-1,2-Ethanedilybis-, Stearic Acid, Titanium Dioxide

Living Building Challenge Criteria:

<small>TFD-0002</small>	<small>EXP 01 DEC 2020</small>
<small>VOC Content: N/A</small>	<small>VOC Emissions: CDPH Compliant</small>
<small>Declaration Status</small>	<input checked="" type="checkbox"/> LBC Red List Free <input type="checkbox"/> LBC Compliant <input type="checkbox"/> Declared

MANUFACTURER RESPONSIBLE FOR LABEL ACCURACY
INTERNATIONAL LIVING FUTURE INSTITUTE™ declareproducts.com