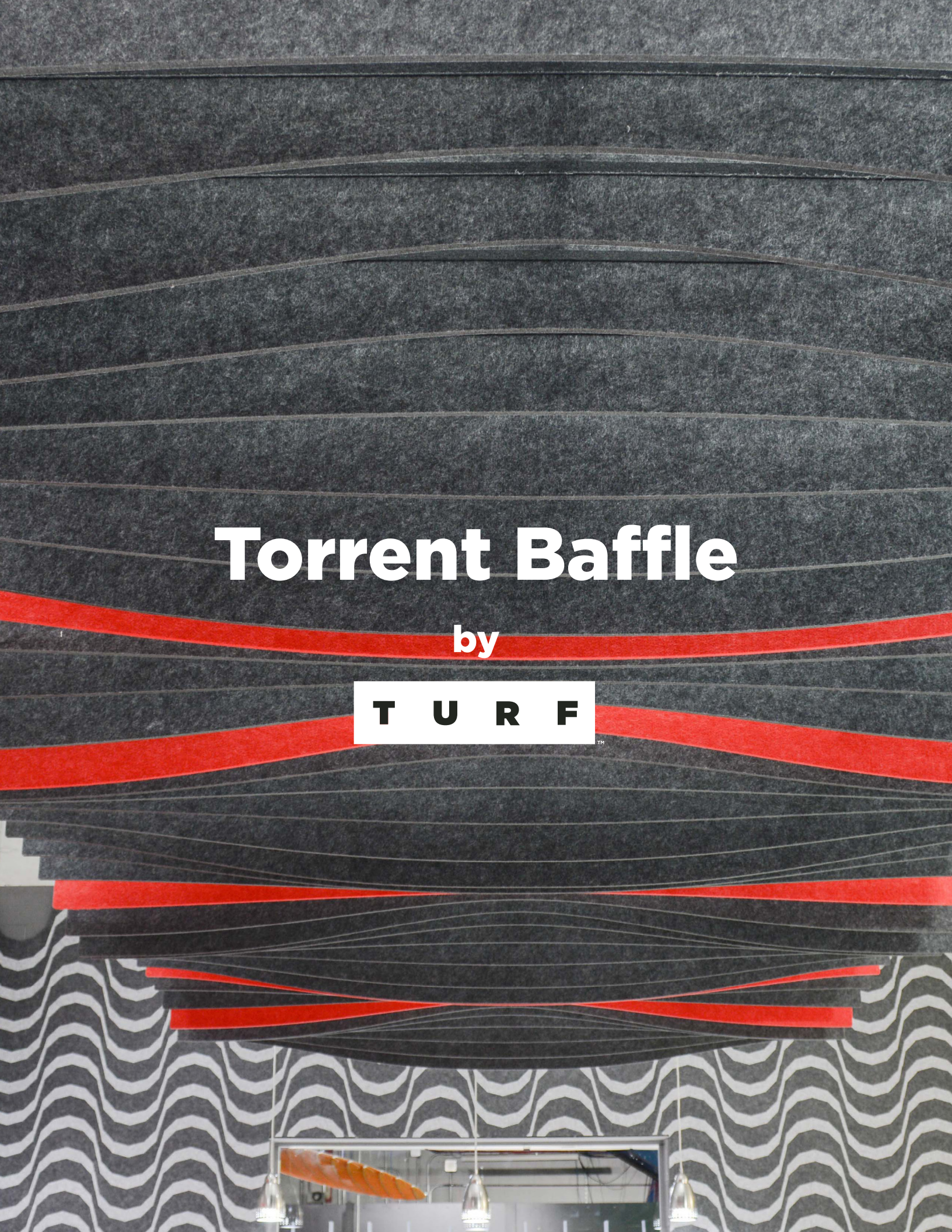
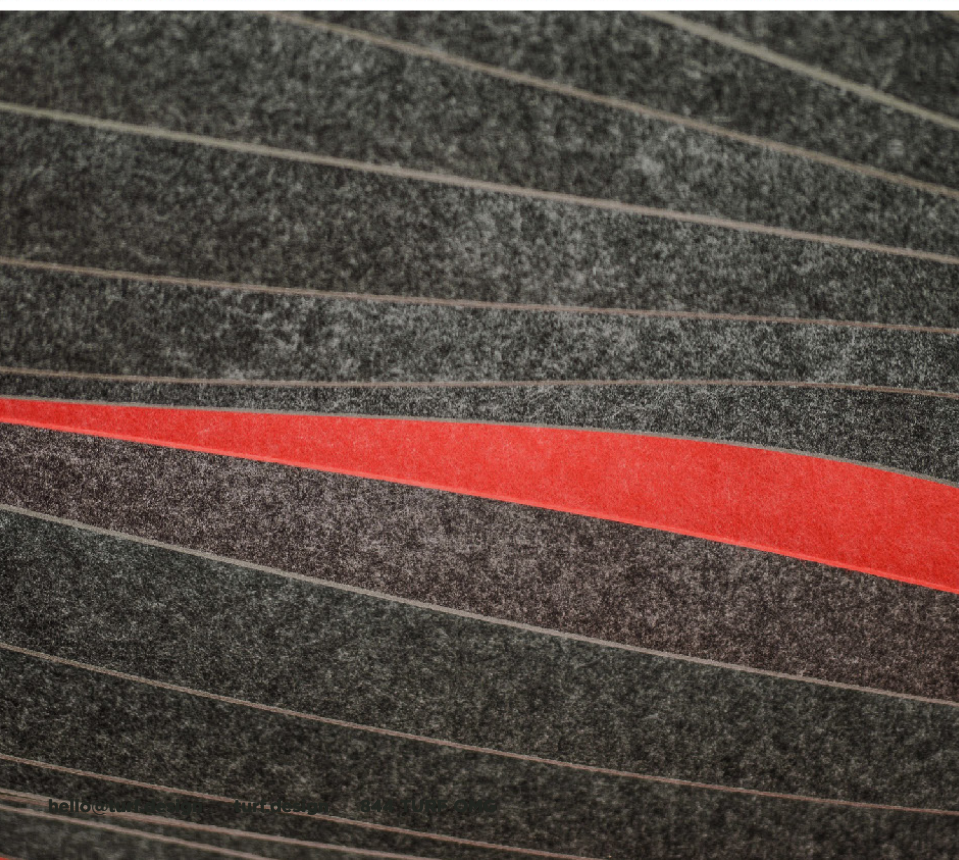
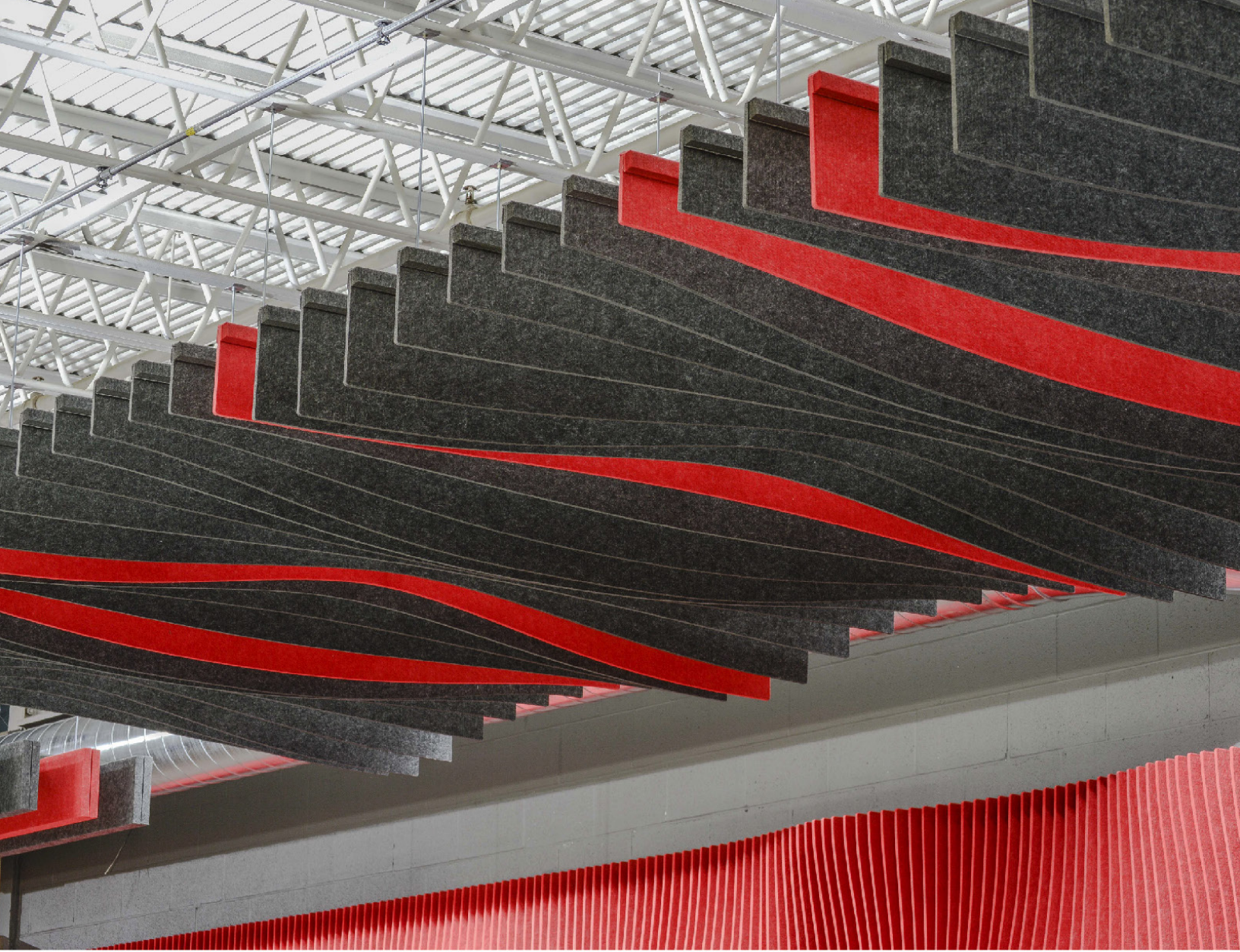


# Torrent Baffle

by

**T U R F**





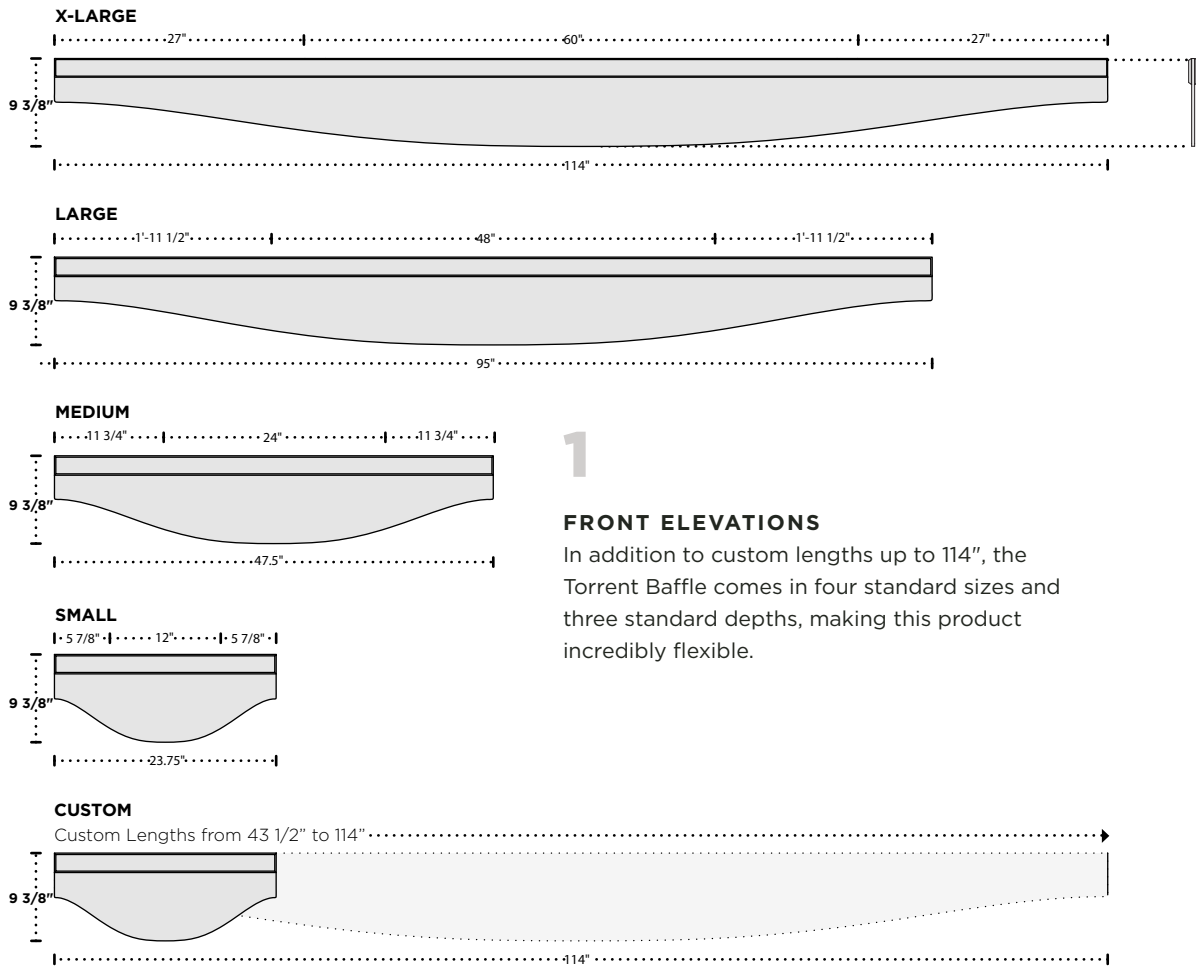
## Torrent Baffle

### **RIPPLING & CONTINUOUS**

The Torrent Baffle is one of the industry's most dynamic acoustic ceiling systems. Designed to work with standard connection systems, Torrent Baffle installs in seconds. This is where flowing aesthetics and acoustic performance meet in harmony.

# Baffle Sizes

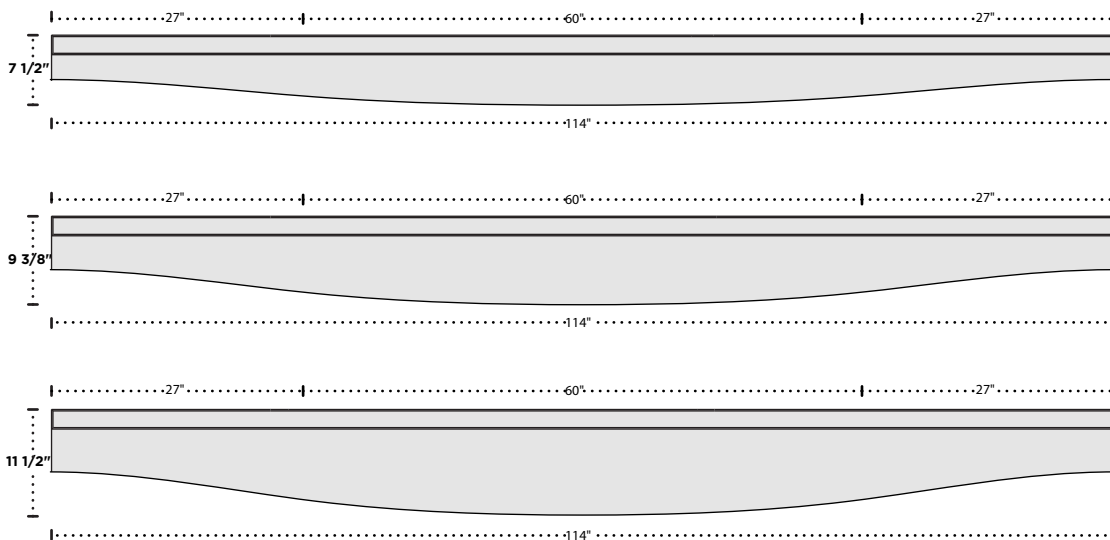
## STANDARD LENGTHS



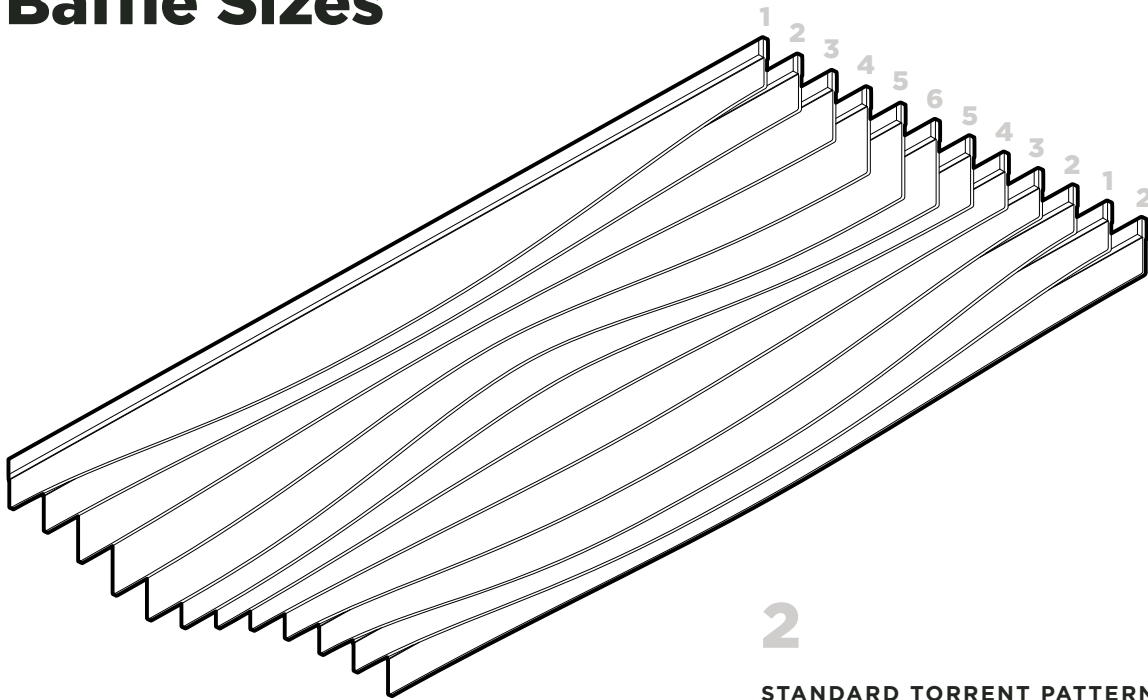
### FRONT ELEVATIONS

In addition to custom lengths up to 114", the Torrent Baffle comes in four standard sizes and three standard depths, making this product incredibly flexible.

## STANDARD DEPTHS



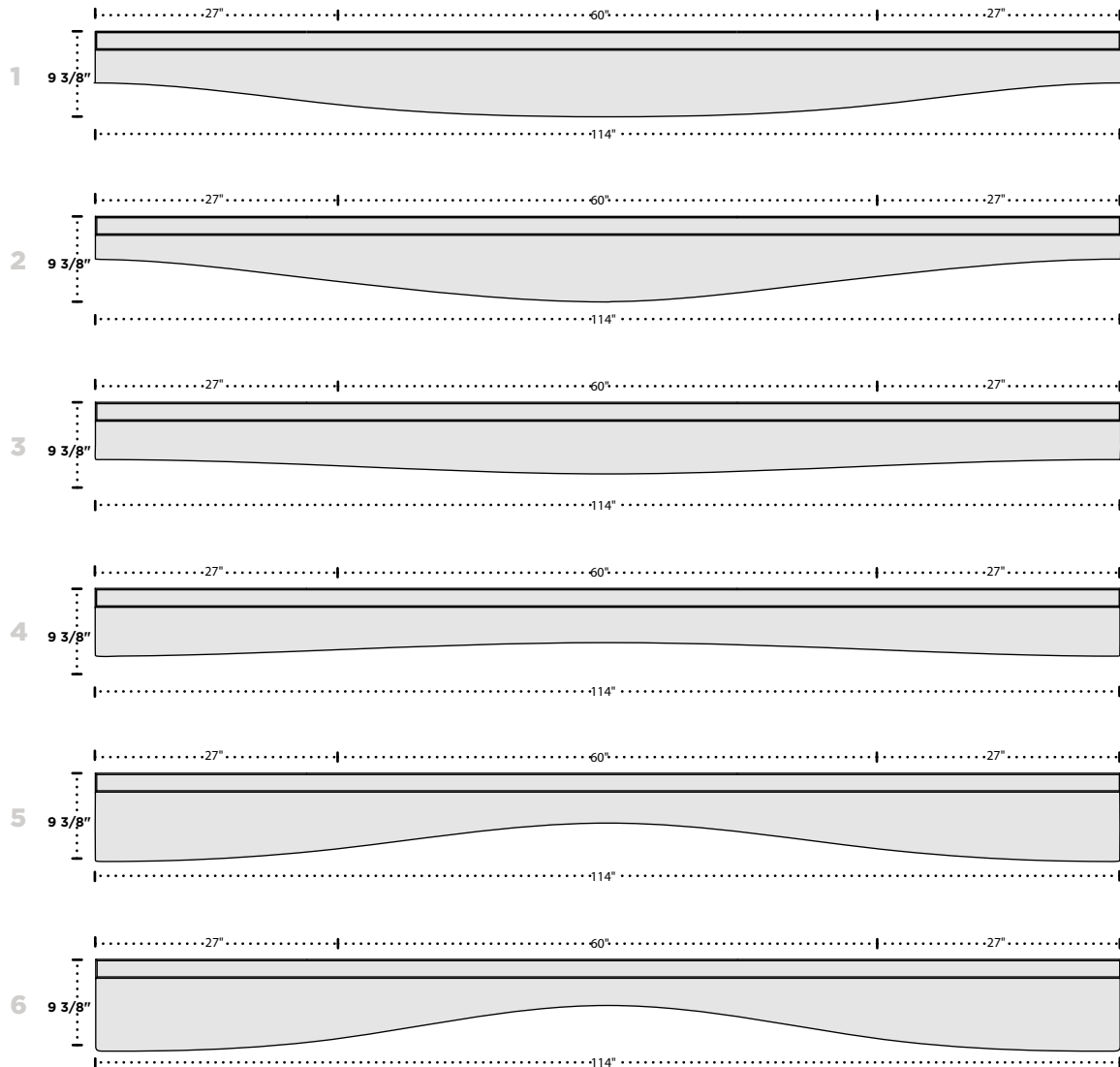
# Baffle Sizes



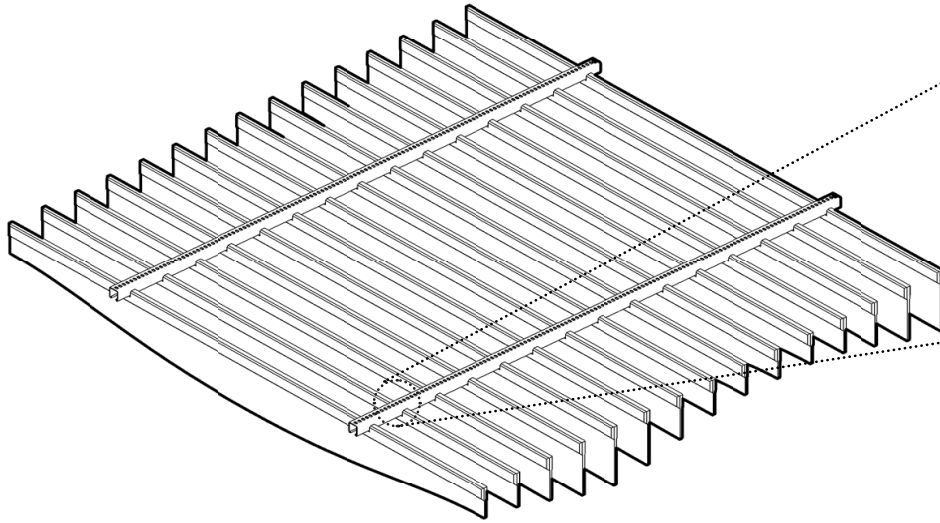
## 2

### STANDARD TORRENT PATTERN

The Torrent Baffle pattern is made of six unique baffles installed in sequence. When mirrored, the undulation repeats continuously.

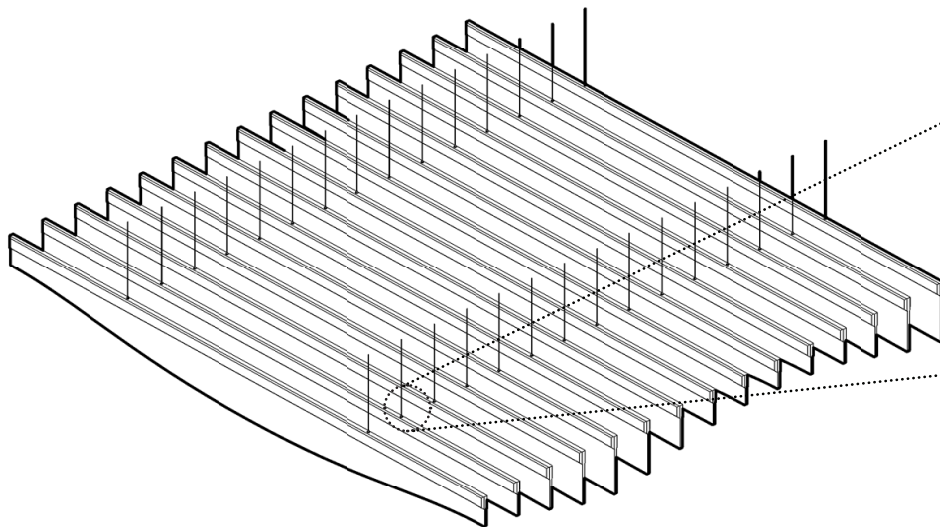


# Connection Types



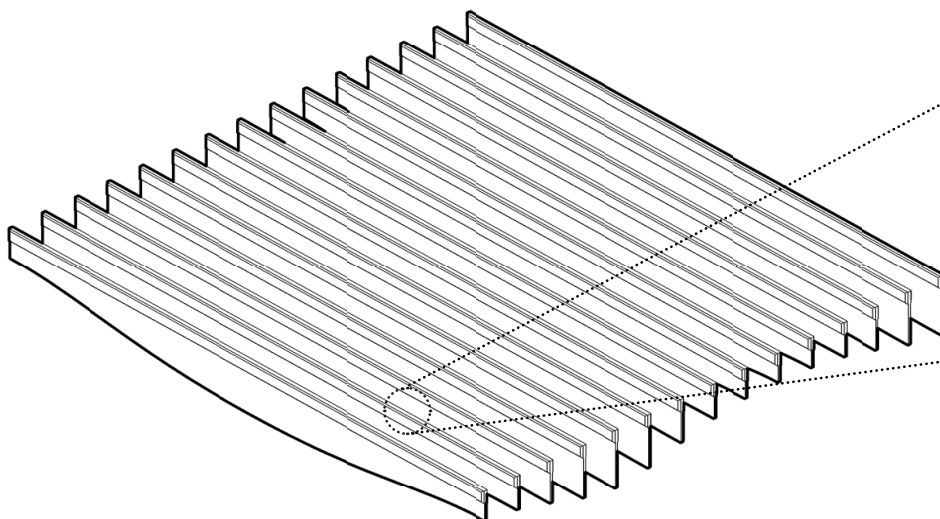
## FELT LOCK

The baffles are—**in seconds**—snapped into place in standard lengths of **unistrut**—the industry's most universal installation hardware.



## CABLE SUSPENSION

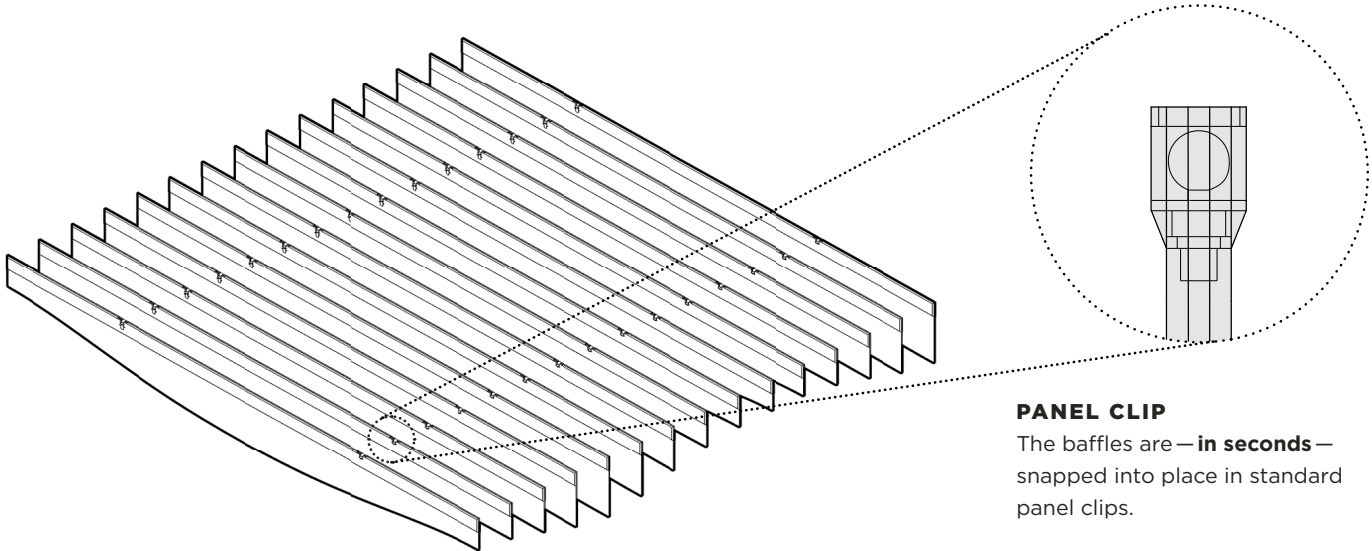
The baffles have embedded cable grippers, enabling them to snap - **in seconds** - into deck mounted **aircraft cables**.



## MAGNETIC CONNECTION

These Magnetic baffles snap directly to **any ferrous metal hardware** making this baffle incredibly versatile and easy to install.

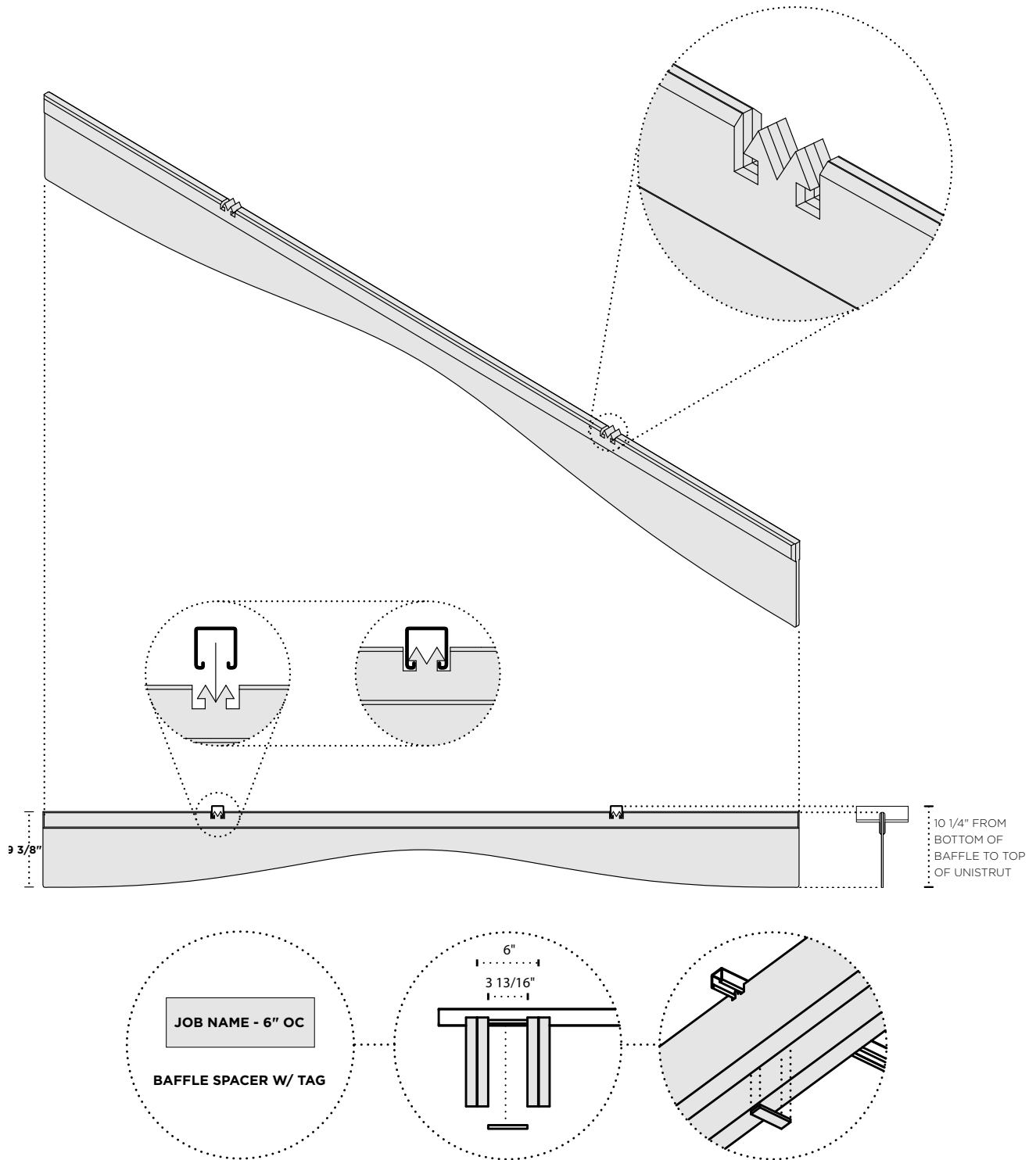
# Connection Types



**PANEL CLIP**

The baffles are — **in seconds** — snapped into place in standard panel clips.

# Felt Lock



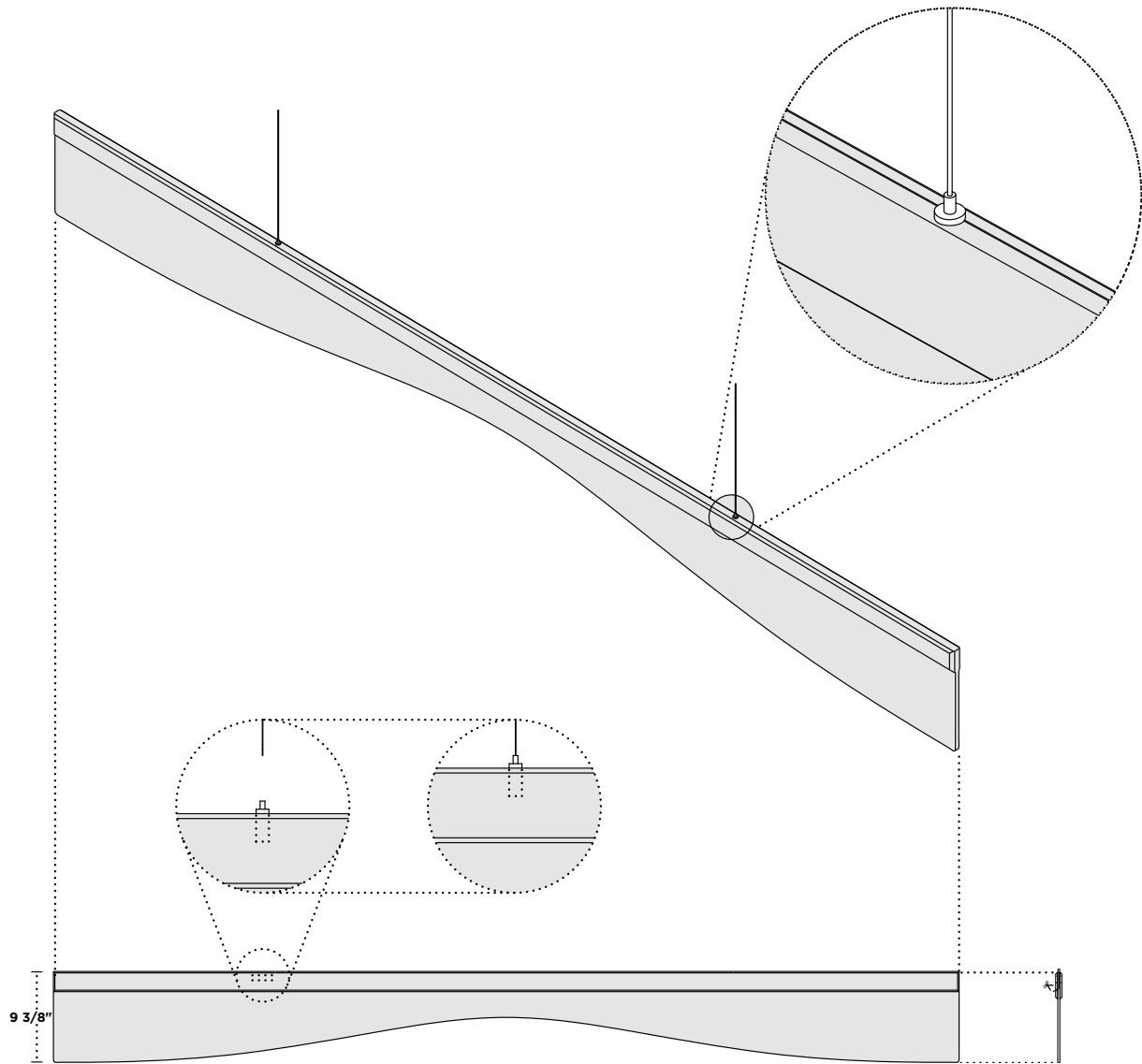
1

\*Spacing dependent on project

## BAFFLE ASSEMBLY

The baffles are — **in seconds** — snapped into place in standard lengths of **unistrut** — the industry's most universal installation hardware. Evenly spaced with 9mm strips of felt that slide into the unistrut channel in between baffles.

# Cable Suspension



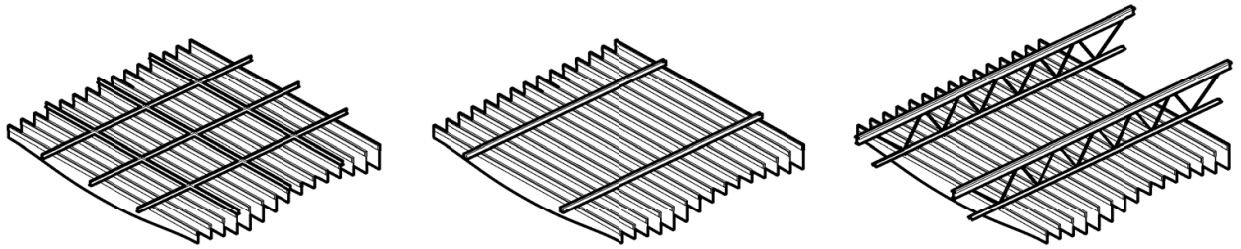
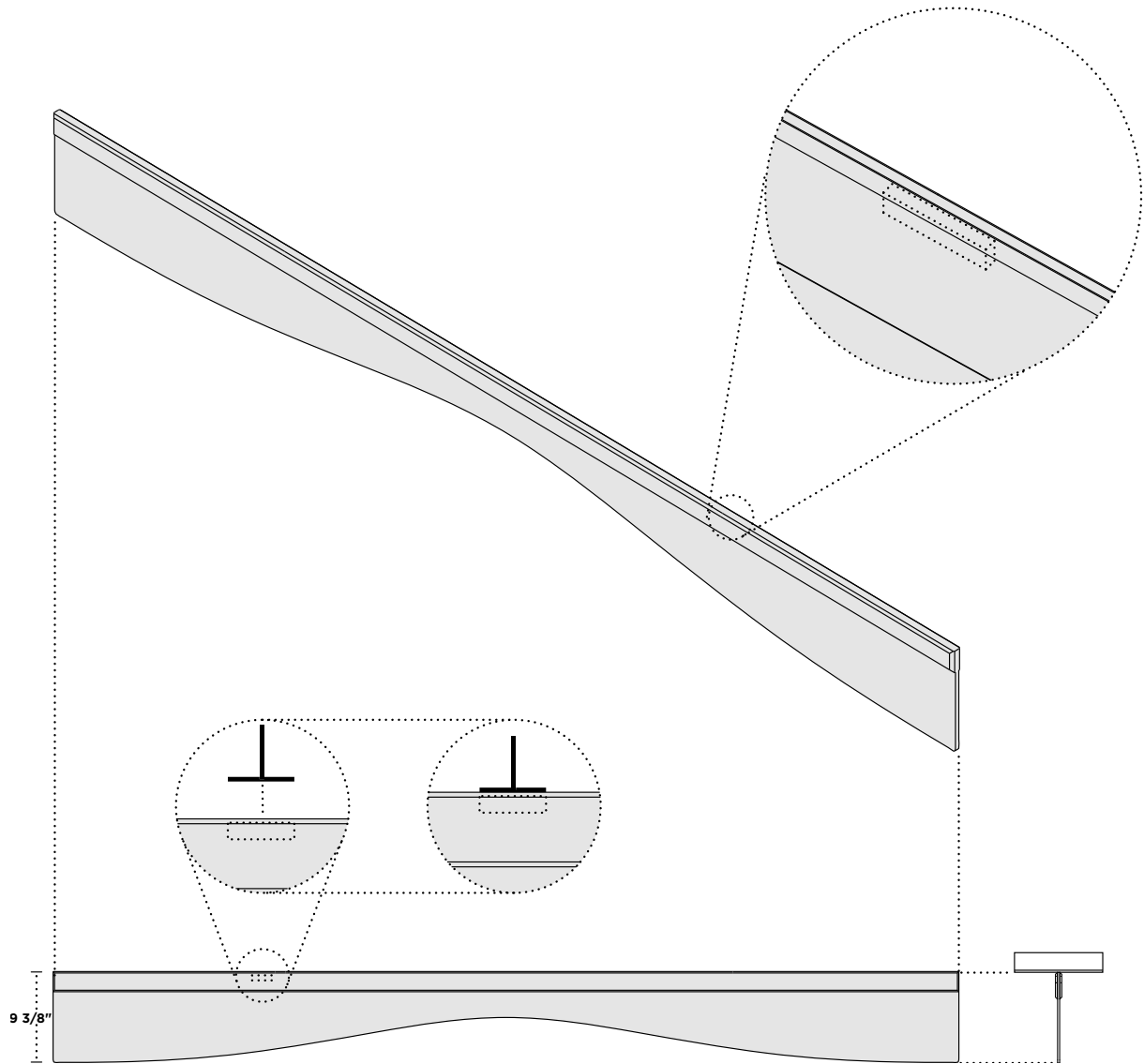
## 2

### BAFFLE ASSEMBLY

Attached directly to the deck, air craft cables can be arranged in any desired pattern. The baffles have embedded cable grippers, enabling them to snap - **in seconds** - into the deck mounted cables.



# Magnet

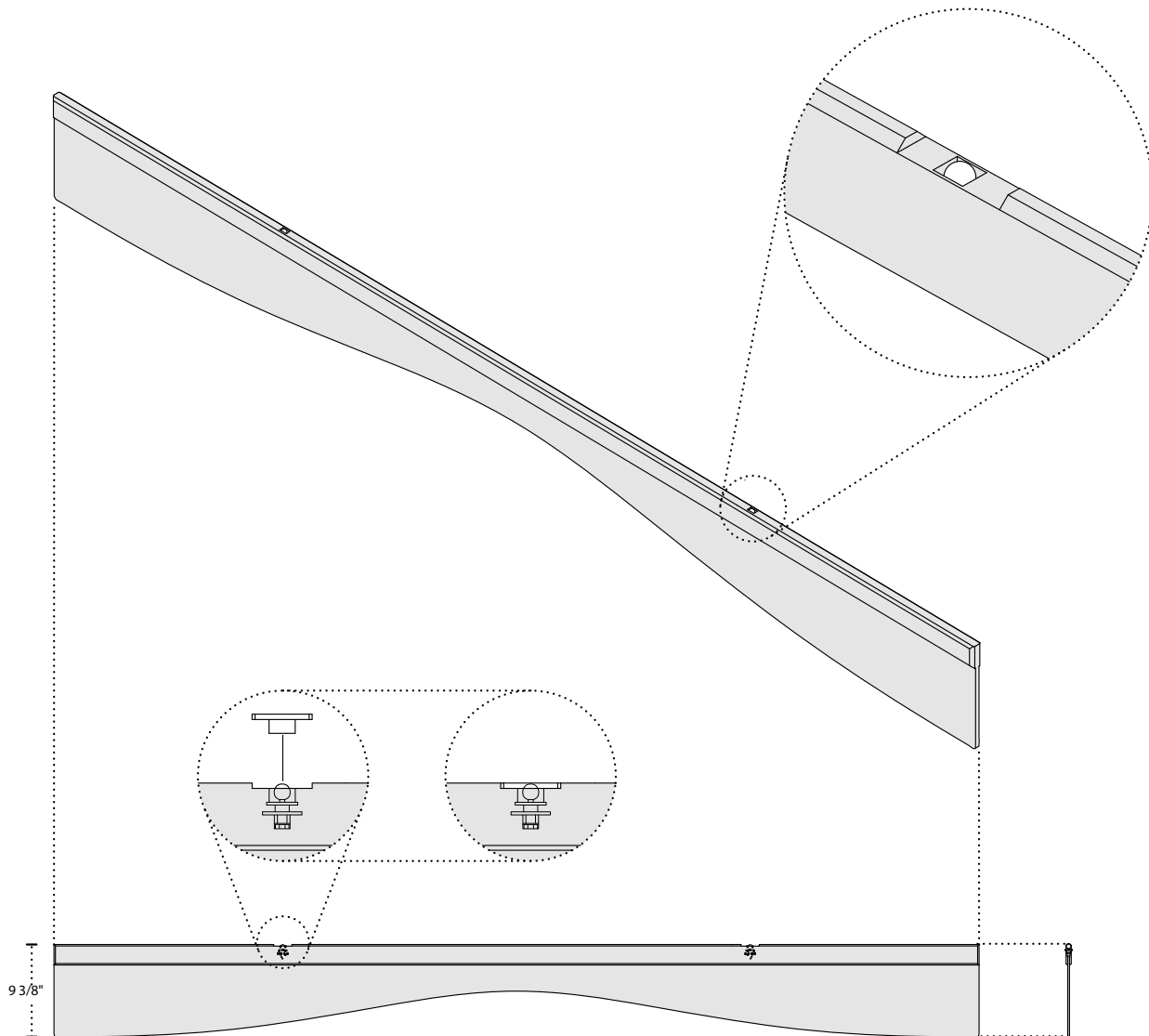


## 3

### BAFFLE ASSEMBLY

These Magnetic baffles snap directly to **tee bar**, **unistrut**, or **steel joists**, making this baffle incredibly versatile and easy to install.

# Panel Clip



## 3

### BAFFLE ASSEMBLY

These male panel clip embedded baffles snap directly to ceiling mounted **female panel clips**, making this baffle incredibly easy to install directly to any finished surface.

# Specifications

<b>PRODUCT NAME</b>	Torrent Baffle
<b>CONTENT</b>	Up to 60% Pre-Consumer Recycled Content Polyester Felt
<b>FELT THICKNESS</b>	9mm
<b>PANEL THICKNESS</b>	27mm
<b>SMALLEST SIZE</b>	7.5" x 23.75" x 27mm
<b>MAXIMUM SIZE</b>	11.5" x 114" x 27mm
<b>EDGE OPTIONS</b>	Exposed Felt
<b>COMPONENTS</b>	UNISTRUT P1000T Standard, Nylon Panel Clip, universal steel T-Grid, 1/16th in Aircraft Cable. (supplied by installer)
<b>DURABILITY</b>	Contract
<b>MAINTENANCE</b>	Vacuum occasionally to remove any particulate matter and air-borne debris or dust. Compressed air can be used to dust the material in difficult to reach areas or for large assemblies.
<b>LEAD TIME</b>	Shipped in 4 weeks.
<b>ENVIRONMENTAL</b>	9mm PET felt board is made from up to 99% recycled polyester plastic, over 50% of which come from recycled water bottles. TURF is pursuing product transparency for LEED V4 MR Credit 4 Option 1, and MR Credit 3 Option 2 for recycled content. TURF is pursuing a Declare Label for this product.
<b>VARIATION</b>	PET Felt uses a traditional 'felting' process to create its panels. This often results in a pleasing 'heathered' effect, where multiple tones are present in the fiber. Slight and consistent variations in color should be expected when using this sustainable material.
<b>ACOUSTICS</b>	ASTM C423-17: NRC = 0.75 (Material)
<b>FIRE RATING</b>	Product made from Class A PET felt material tested under ASTM E-84.

# 9MM FELT

TURF's Torrent ceiling baffle is made with 9mm PET felt board.

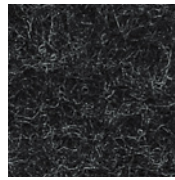
The process used to create PET felt often results in a heathered effect where multiple tones are present. Slight variations in color should be expected when using this sustainable material.

Felt thickness is 9mm +/- 0.5 mm.

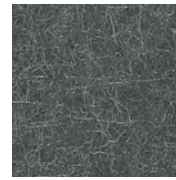
**Monitors and printers vary. Please request a material sample to verify felt colors.**



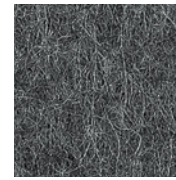
07 BLACK



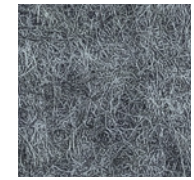
06 CHARCOAL



38 MATTE GREY



86 SLATE



98 STORM



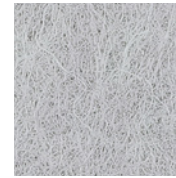
01 CREAM



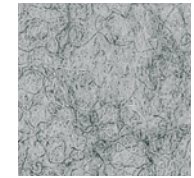
50 IVORY



05 WHITE



66 PEWTER



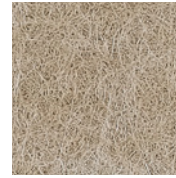
04 LIGHT GREY



78 WHEAT



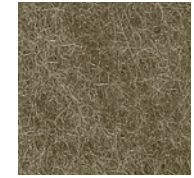
82 BARLEY



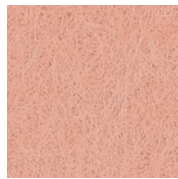
54 LATTE



48 LIGHT BROWN



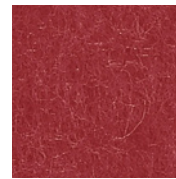
32 BROWN



94 CORAL



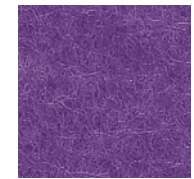
42 ORANGE



16 RED



58 RASPBERRY



39 LAVENDER



20 MANGO



62 SUNFLOWER



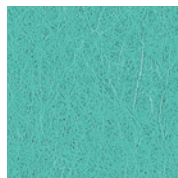
45 YELLOW



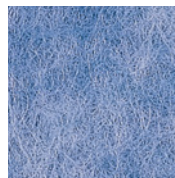
47 LIME



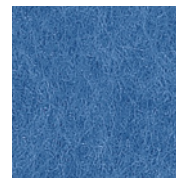
14 GREEN



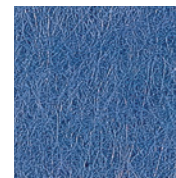
70 AQUA



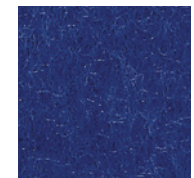
90 SKY



25 LIGHT BLUE



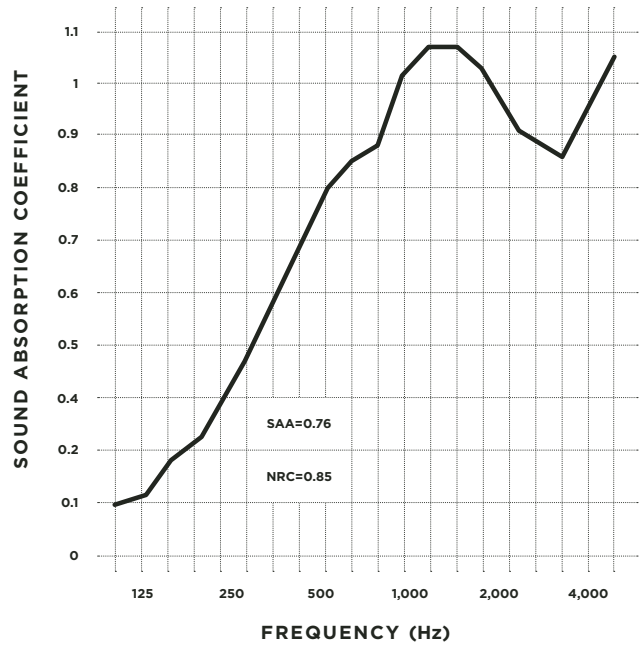
74 DENIM



29 DARK BLUE

# Acoustic Testing (ASTM C 423-17)

FREQUENCY (Hz)	SOUND ABSORPTION COEFFICIENT
32	.03
40	-.01
50	-.02
63	-.07
80	.06
100	.09
125	.12
160	.20
200	.24
250	.33
315	.45
400	.59
500	.76
630	.85
800	.89
1,000	1.00
1,250	1.06
1,600	1.06
2,000	.99
2,500	.89
3,150	.83
4,000	.94
5,000	1.04
6,300	1.00
8,000	1.05
10,000	1.07
12,500	1.07



## TEST ARRANGEMENT

PET Acoustic panel =400mm air layer.

# Declare.

## TURF 9mm PET Acoustic Panel Turf Design

Final Assembly: Elgin, Illinois, USA  
 Life Expectancy: 50 Years  
 End of Life Options: Salvageable/Reusable in its Entirety, Recyclable (100%)

### Ingredients:

Polyethylene Terephthalate; PET; Antioxidant 1076; Benzenamine, 4-(1-Methyl-1-Phenylethyl)-N-[4-(1-Methyl-1-Phenylethyl)Phenyl]-, Benzenepropanoic Acid, 3,5-Bis(1,1-Dimethylethyl)-4-Hydroxy-, Octadecyl Ester, Octadecanamide, N,N'-1,2-Ethanediybis-, Stearic Acid, Titanium Dioxide

### Living Building Challenge Criteria:

TFD-0002 EXP 01 DEC 2020  
 VOC Content: N/A VOC Emissions: CDPH Compliant  
 Declaration Status  LBC Red List Free  
 LBC Compliant  
 Declared

MANUFACTURER RESPONSIBLE FOR LABEL ACCURACY  
 INTERNATIONAL LIVING FUTURE INSTITUTE™ [declareproducts.com](http://declareproducts.com)