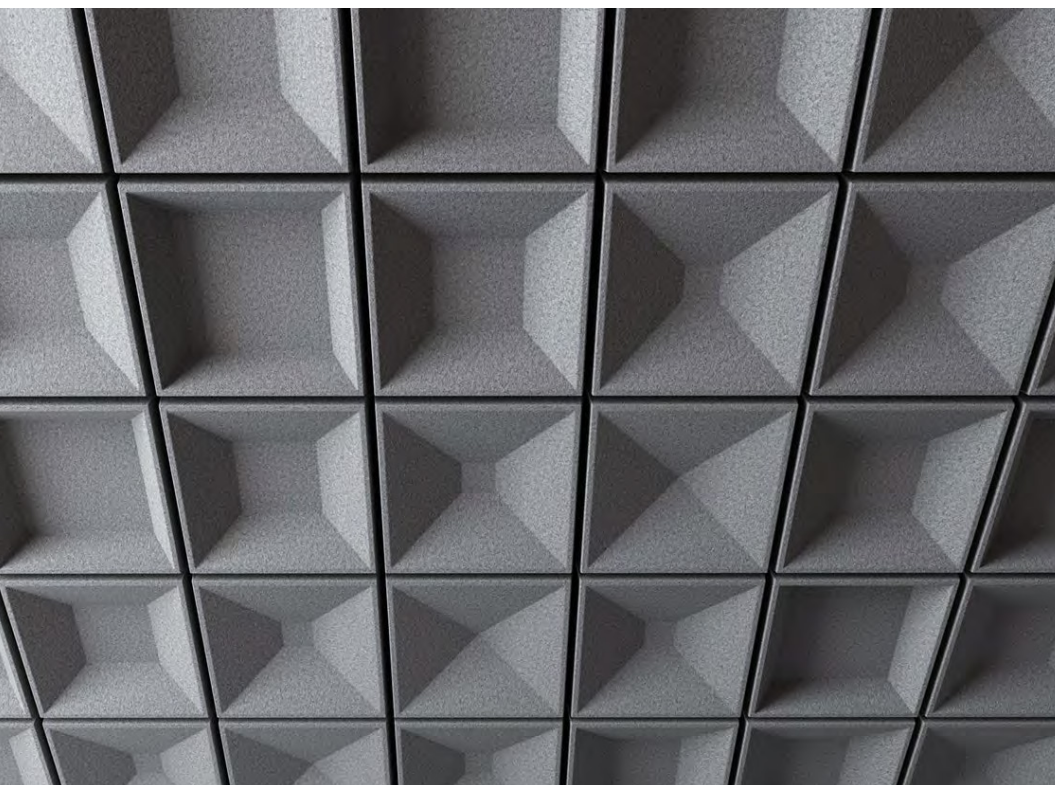




Port

by

**T U R F**



## Port

### APERTURED & VAULTED

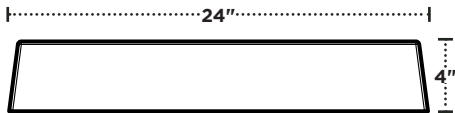
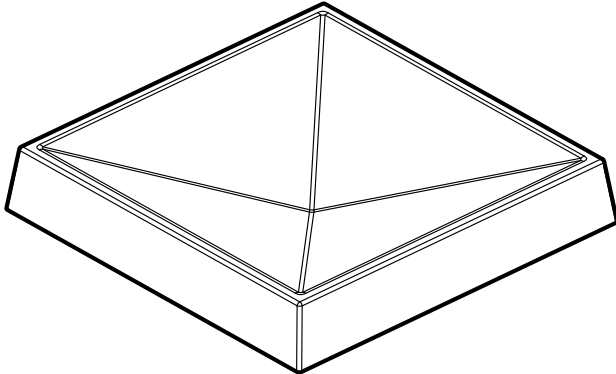
The Port Ceiling System is a drop ceiling product series that transforms interiors through both cutting edge aesthetics and acoustical performance. Made to magnetically snap to the underside of a tee grid, Pyramid can be attached directly under preexisting tiles while also obscuring the tee grid itself; this is where collaboration yields brilliance.

# Tile A

1

### PERSPECTIVE

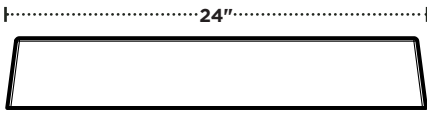
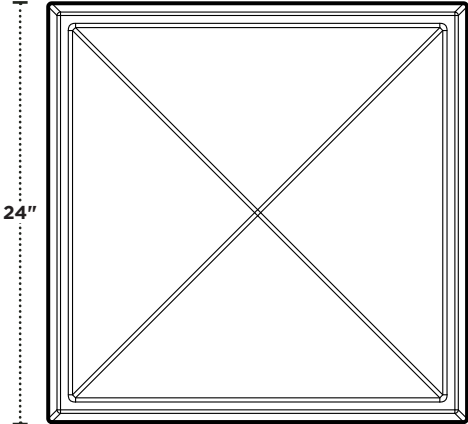
Port is a coffered ceiling tile that varies in depth from tile to tile. This subtle variation in pattern alters the energy of an environment through form.



2

### PLAN VIEW

Port is designed to fully obscure the tee grid from below. Its design creates a subtly complex pattern through form and shadow.



3

### SIDE ELEVATION

Dropping a **maximum of 4"** below **the ceiling grid height** allows Port to transform a space without obstructing clearance heights of standard offices.

4

### FRONT ELEVATION

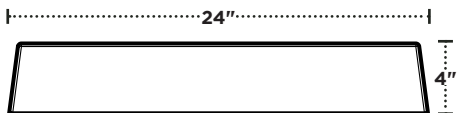
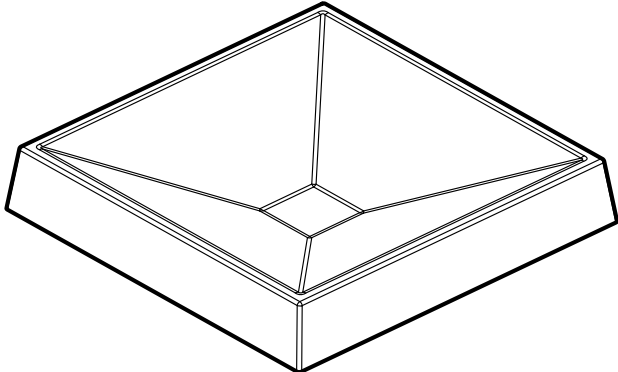
The magnets on the interior edges of each corner allow for a quick installation directly to the underside of any tee grid system.

# Tile B

## 1

### PERSPECTIVE

Port is a coffered ceiling tile that varies in depth from tile to tile. This subtle variation in pattern alters the energy of an environment through form.



## 3

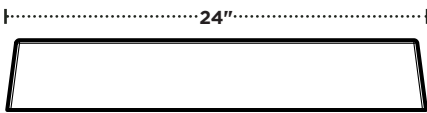
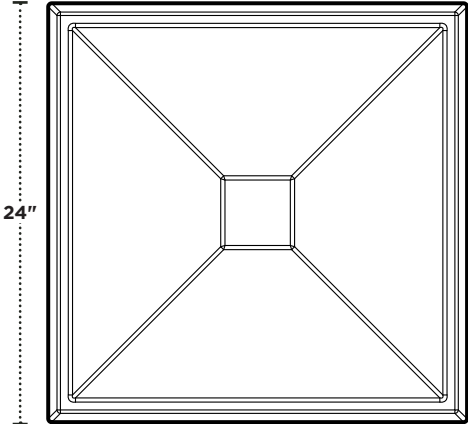
### SIDE ELEVATION

Dropping a **maximum of 4" below the ceiling grid height** allows Port to transform a space without obstructing clearance heights of standard offices.

## 2

### PLAN VIEW

Port is designed to fully obscure the tee grid from below. Its design creates a subtly complex pattern through form and shadow.



## 4

### FRONT ELEVATION

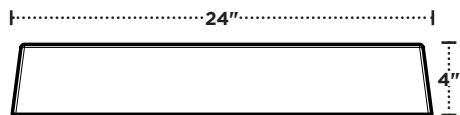
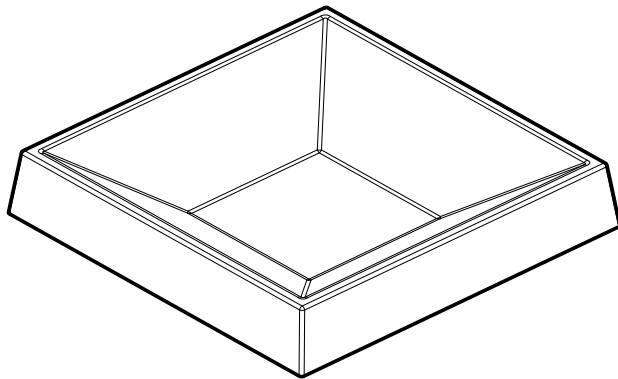
The magnets on the interior edges of each corner allow for a quick installation directly to the underside of any tee grid system.

# Tile C

## 1

### PERSPECTIVE

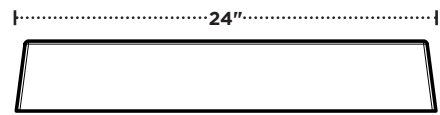
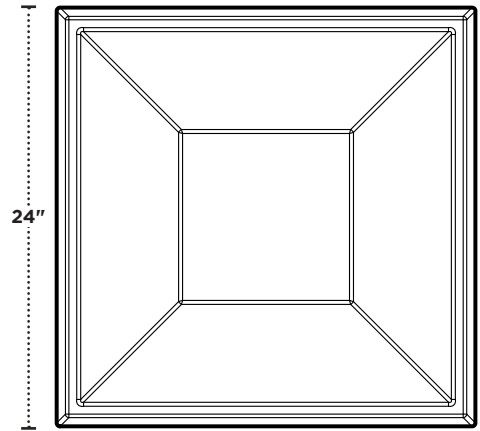
Port is a coffered ceiling tile that varies in depth from tile to tile. This subtle variation in pattern alters the energy of an environment through form.



## 2

### PLAN VIEW

Port is designed to fully obscure the tee grid from below. Its design creates a subtly complex pattern through form and shadow.



## 3

### SIDE ELEVATION

Dropping a **maximum of 4"** below **the ceiling grid height** allows Port to transform a space without obstructing clearance heights of standard offices.

## 4

### FRONT ELEVATION

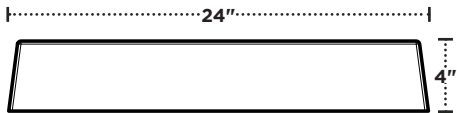
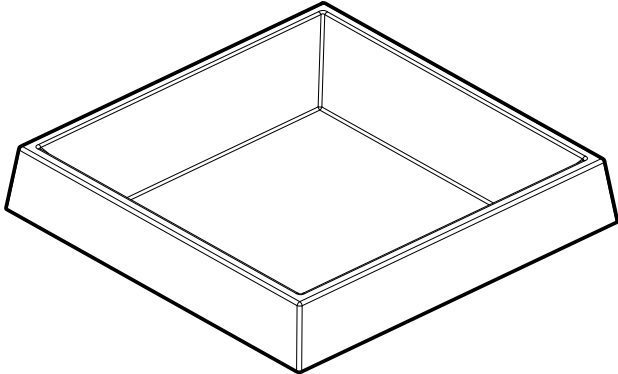
The magnets on the interior edges of each corner allow for a quick installation directly to the underside of any tee grid system.

# Tile D

1

### PERSPECTIVE

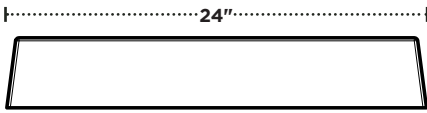
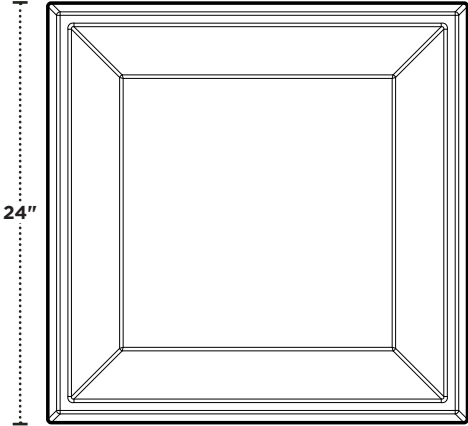
Port is a coffered ceiling tile that varies in depth from tile to tile. This subtle variation in pattern alters the energy of an environment through form.



2

### PLAN VIEW

Port is designed to fully obscure the tee grid from below. Its design creates a subtly complex pattern through form and shadow.



3

### SIDE ELEVATION

Dropping a **maximum of 4" below the ceiling grid height** allows Port to transform a space without obstructing clearance heights of standard offices.

4

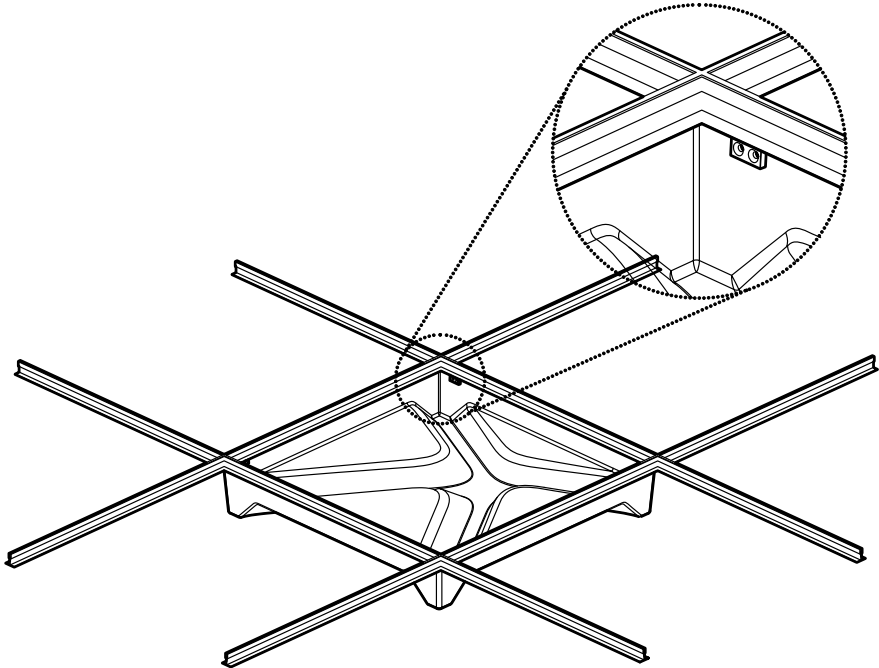
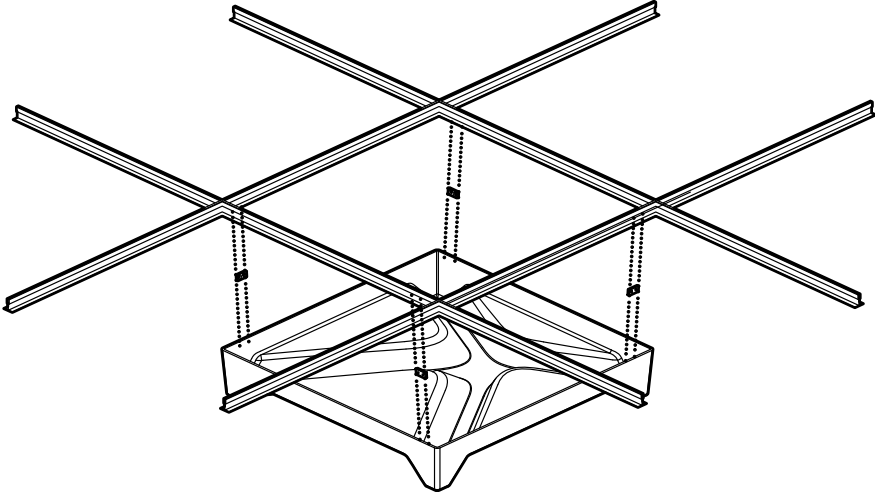
### FRONT ELEVATION

The magnets on the interior edges of each corner allow for a quick installation directly to the underside of any tee grid system.

# Assembly

### EXPLODED AXON

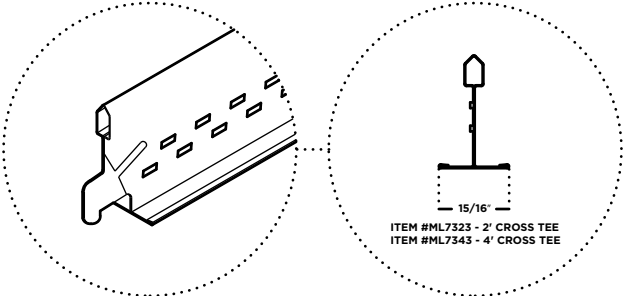
All Port tiles have embedded magnets that snap directly to the underside of any standard drop ceiling system.



## 2

### DETAIL

This connection detail makes installation a breeze while also obscuring the tee grid from below.



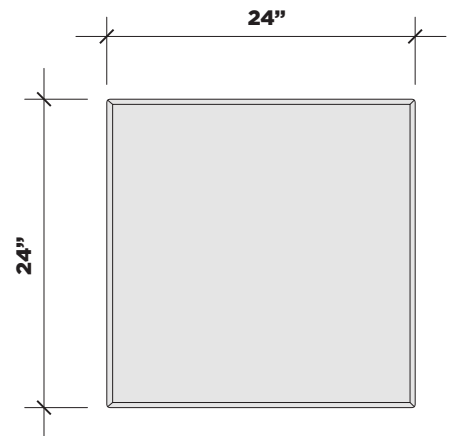
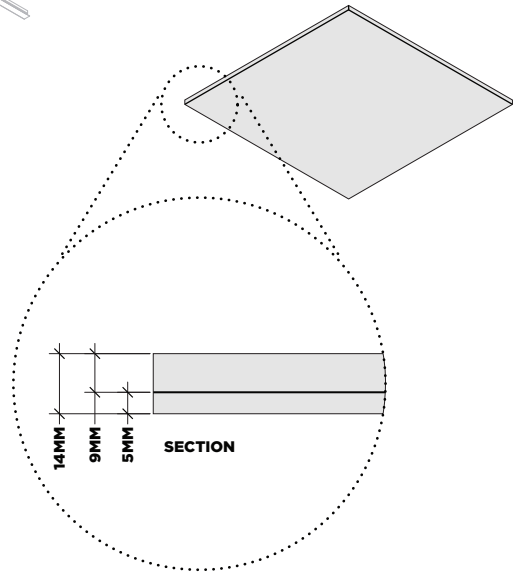
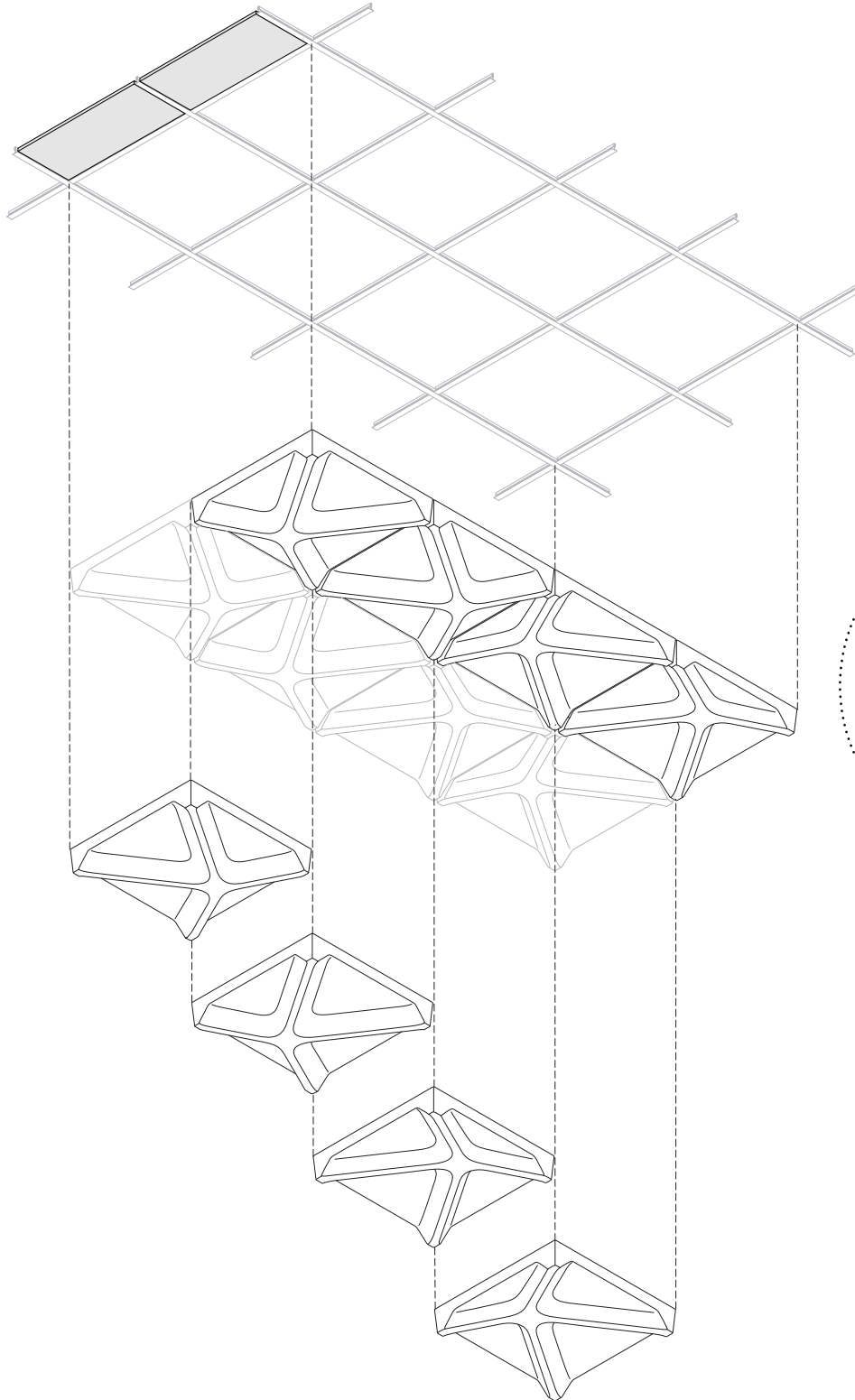
## 3

### TEE GRID OPTIONS

Compatible tee grid options: Tiles snap onto both 9/16" and 15/16" flat standard tee grid drop ceiling grids.

# Infill Tile

Fill tiles can be used where field cutting is required to accommodate obstructions. These are recommended for use at the perimeters of an array if the grid opening is smaller than 24x24". Fill tiles act like traditional lay-in ACT tiles and do not cover the grid in the same manner. Magnets can be added to the fill tiles upon request to conceal the grid. Please note that fill tiles cannot bear additional weight.



Fill tiles in matching color for areas that require partial or cut tiles are available. Fill tiles act like traditional lay-in ACT tiles; magnets available upon request to conceal the grid.



# Specifications

<b>PRODUCT NAME</b>	Port Tile
<b>CONTENT</b>	Up to 60% Recycled Polyester Felt
<b>FELT THICKNESS</b>	5mm
<b>PANEL THICKNESS</b>	Varies
<b>SMALLEST SIZE</b>	24" x 24" x 4"
<b>MAXIMUM SIZE</b>	24" x 24" x 4"
<b>EDGE OPTIONS</b>	Exposed Felt
<b>COMPONENTS</b>	Felt tile + four magnetic connections with steel clips and adhesive covers.
<b>DURABILITY</b>	Contract
<b>MAINTENANCE</b>	Vacuum occasionally to remove any particulate matter and airborne debris or dust. Compressed air can be used to dust the material in difficult to reach areas for large assemblies.
<b>LEAD TIME</b>	Shipped in twelve to eighteen (12-18) weeks.
<b>ENVIRONMENTAL</b>	5mm PET felt board is made from up to 60% recycled polyester plastic. TURF is pursuing product transparency for LEED V4 MR Credit 4 Option 1, and MR Credit 3 Option 2 for recycled content.
<b>VARIATION</b>	PET Felt uses a traditional 'felting' process to create its panels. This often results in a pleasing heathered effect, where tones are present in the fiber. Slight and consistent variations in color should be expected when using this sustainable material.
<b>ACOUSTICS</b>	ASTM C423-17; NRC = 1.0 Port Standard Ceiling Tiles Type E-400 Mounting: 400 mm from panel surface to test surface to resemble suspended grid ceiling.
<b>VOC</b>	ASTM D 5116 Compliant
<b>FIRE RATING</b>	Product made from Class A PET felt material tested under ASTM E-84.

# 5MM FELT

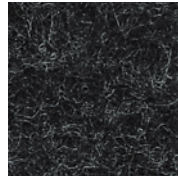
TURF's Port compression molded ceiling tile is made with 5mm PET felt.

The process used to create PET felt often results in a heathered effect where multiple tones are present. Slight variations in color should be expected when using this sustainable material.

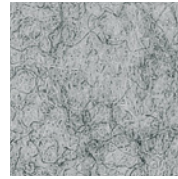
**Monitors and printers vary. Please request a material sample to verify felt colors.**



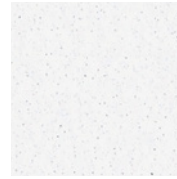
M07 ONYX



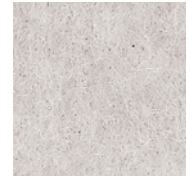
M06 CARBON



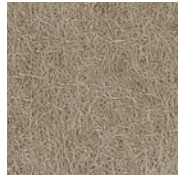
M04 PUMICE



M05 TALC



M01 SANDSTONE



M48 TRAVERTINE