

VALLOX DELICO

Out of love for cooking



VALLOX
HOME *of* FRESH AIR

Vallox Delico

Vallox Delico is a Finnish hood series that combine subdued Scandinavian design and the efficient removal of cooking smells. The elegantly plain hood merges seamlessly with the rest of the kitchen. Hoods are available with a white or a black front panel, making them suitable for different types of kitchens.

The structure of the smoothly sliding steam collection part is robust and of high quality. A LED light provides an even and non-glaring working light to the cooker top.

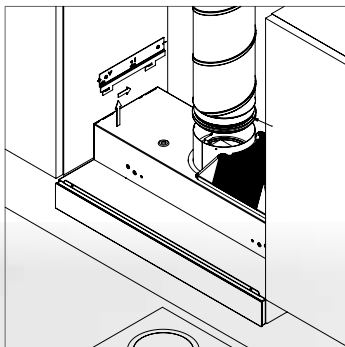
Controlling the hood is easy by using lit and intuitive touch buttons. The glass front panel is easy to keep clean and the guard function enhances safety.

New kind of mounting strips make Vallox Delico easy to install!



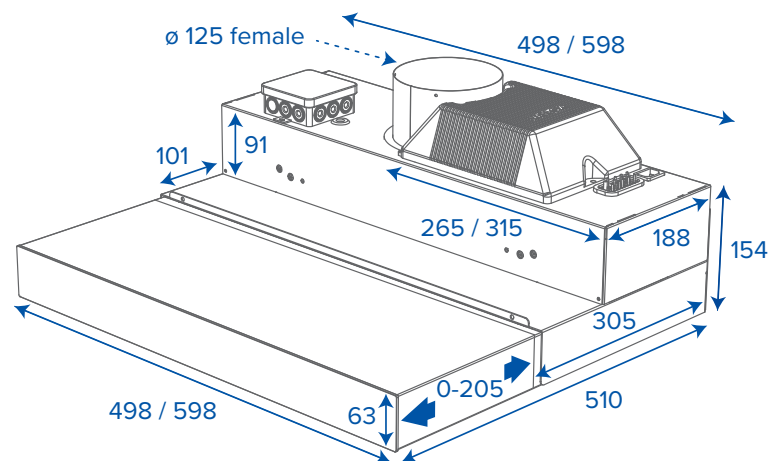
A new installation method

The cooker hood is mounted on the side panels of kitchen cabinets by using a new kind of mounting strips. They make installation easier and remove the need to support the hood during installation.



The location of the hood is dimensioned by using the mounting strips. Once the hood is in place, its sliding part is adjusted to be level with the cabinets. The cover strip that is included in the delivery is used to cover the opening between the hood and the wall.

cover the opening between the hood and the wall.



The elegantly plain cooker hood merges inconspicuously with the kitchen cabinets.





VALLOX DELICO PTD EC CONTROL HOODS

For controlling roof fans and Vallox ventilation units*

- Three-step fan speed adjustment: each speed can be preset
- Motorised damper: automatic ventilation boost when the damper opens, timer can be programmed for 45-120 min, contact data when the damper opens.
- Adjustable minimum air flow
- Programmable 15-minute post-operation

*only for controlling models equipped with DC fans.



○ ● Vallox Delico PTD EC is available with a black or a white front panel.

VALLOX DELICO PTD AC CONTROL HOODS

For controlling roof fans and Vallox ventilation units*

- Three-step fan speed adjustment: each speed can be preset
- Motorised damper: automatic ventilation boost when the damper opens, timer can be programmed for 45-120 min.
- Adjustable minimum air flow
- Programmable 15-minute post-operation

*only for controlling models equipped with AC fans.



○ ● Vallox Delico PTD AC is available with a black or a white front panel.

VALLOX DELICO KTD A COOKER HOODS

For the joint duct systems of multi-storey buildings and apartment-specific ventilation systems

- Motorised damper: timer can be programmed for 45-120 min, contact data and 230 V feed when the damper opens.
- Adjustable minimum air flow
- When installed in a joint duct system of a multi-storey building, a Vallox Smoke Limiter must be connected to the KTD A cooker hood. The extract air valve (KSO-125) of the Vallox Smoke Limiter has been locked so that it meets the requirements set for smoke limiters ($42 \text{ dm}^3/\text{s} / 100 \text{ Pa}$), and its minimum and maximum air flows can be adjusted separately.



○ ● Vallox Delico KTD A is available with a black or a white front panel.

VALLOX DELICO KTD COOKER HOODS

For the joint duct systems of multi-storey buildings

- 125 mm outlet collar for the joint duct valve that serves as a smoke limiter.



○ ● Vallox Delico KTD is available with a black or a white front panel.

Technical specifications

TECHNICAL SPECIFICATIONS					
Product title Vallox Delico PTD EC	Width 500 600 500 600	Colour white white black black	Product number 2148100 2148200 2151800 2151900	HVAC code 7911287 7911288 7911289 7911290	Electrical number 8503605 8503606 8503607 8503608
Light	LED (4000 K)	Duct connection	1 x 125 mm	Electrical connection	230 V, 50 Hz, 0.03 A power plug
Grease filter	Aluminium (washable)			Enclosure protection class	IP 34
Fan speed	Preset 3-step adjustment			Programmability	0 position Damper timer (45-120 min) 15 min post-operation Automatic damper in roof fan use Brightness of the light Guard function with contact data
Dimensions (w x h x d)	500 = 498 x 154 x 305 mm 600 = 598 x 154 x 305 mm			Weight	500 = 9.8 kg 600 = 11 kg

TECHNICAL SPECIFICATIONS					
Product title Vallox Delico PTD AC	Width 500 600 500 600	Colour white white black black	Product number 2153800 2153900 2154000 2154100	HVAC code 7911299 7911300 7911301 7911303	Electrical number 8503617 8503618 8503619 8503620
Light	LED (4000 K)	Duct connection	1 x 125 mm	Electrical connection	Fixed connection
Grease filter	Aluminium (washable)			Enclosure protection class	IP 34
Fan speed	Preset 3-step adjustment			Programmability	0 position Damper timer (45-120 min) 15 min post-operation Automatic damper in roof fan use Brightness of the light Guard function
Dimensions (w x h x d)	500 = 498 x 154 x 305 mm 600 = 598 x 154 x 305 mm			Weight	500 = 9.8 kg 600 = 11 kg

TECHNICAL SPECIFICATIONS					
Product title Vallox Delico KTD A	Width 500 600 500 600	Colour white white black black	Product number 2150900 2151000 2151100 2151200	HVAC code 7911291 7911292 7911293 7911294	Electrical number 8503609 8503610 8503611 8503612
Light	LED (4000 K)	Duct connection	1 x 125 mm	Electrical connection	230 V, 50 Hz, 0.03 A power plug
Grease filter	Aluminium (washable)			Enclosure protection class	IP 34
Fan speed	-			Programmability	Damper timer (45-120 min) Brightness of the light Guard function with contact data
Dimensions (w x h x d)	500 = 498 x 154 x 305 mm 600 = 598 x 154 x 305 mm			Weight	500 = 9.8 kg 600 = 11 kg

TECHNICAL SPECIFICATIONS					
Product title Vallox Delico KTD	Width 500 600 500 600	Colour white white black black	Product number 2152100 2152200 2152300 2152400	HVAC code 7911295 7911296 7911297 7911298	Electrical number 8503613 8503614 8503615 8503616
Light	LED (4000 K)	Duct connection	1 x 125 mm	Electrical connection	230 V, 50 Hz, 0.03 A power plug
Grease filter	Aluminium (washable)			Enclosure protection class	IP 34
Fan speed	-			Programmability	-
Dimensions (w x h x d)	500 = 498 x 154 x 305 mm 600 = 598 x 154 x 305 mm			Weight	500 = 9.3 kg 600 = 10.5 kg

VALLOX

www.vallox.com

Vallox Oy | Myllykyläntie 9-11 | 32200 LOIMAA | FINLAND