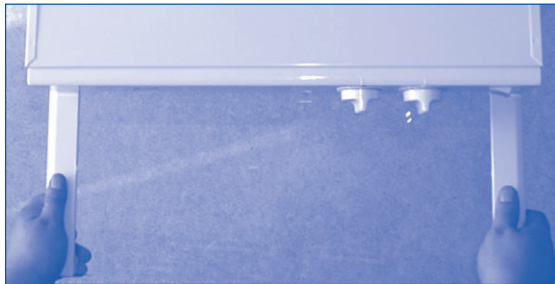


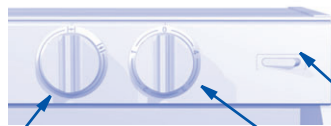
USE OF COOKER HOOD

- SLIM-LINE house fan is equipped with a withdrawable glass. It is recommended to hold the edging strips of the glass when pulling the glass out and pushing it in (see the Figure).



- In boosted operation situations, such as during cooking, it is recommended to pull the glass out in the maximum position. This increases the capacity of the hood to capture cooking odours.
- In other situations, such as during basic ventilation, the glass can be pushed in to the minimum position.

House fan operating controls



House fan damper controller
Rotary actuated damper

House fan light switch

Ventilation switch and controller
Rotary actuated controller

Turned to the right with the damper in the open position:

- Boosts the extracting capacity of the hood.
- Cooking on a cooker or in the oven.
- Unusual load situation in the kitchen (such as using heavy detergents or a large number of guests).

Turned to the left with the damper in the off position:

- Normal living situation, boosts extraction in the other rooms.

0. Ventilation out of operation
1. Absence position
2. Normal position
3. Boost position
4. Peak boost position

NOTE!

In order to produce sufficient exchange of air, follow the ventilation plan that defines the position of the controller in a normal living situation.

NOTE!

It is forbidden to burn with a flame under the house fan!

WARNING

Closing ventilation in the dwelling also prevents the supply of pure outdoor air into the dwelling as well as the taking out of dirty air. Impurities coming from people, structures and the earth, such as carbon dioxide, humidity, smells, formaldehyde, dust and radon, quickly spoil room air and cause health damage. Excessive humidity may destroy structures and cause mould and fungal growth. Because of this the building regulations require that ventilation is in operation all the time and that its power is regulated according to the needs of the user.

USE OF VENTILATION

The house fan operates as the mechanical extract air ventilation unit. This means that the resident can have an impact on the power of ventilation. Adjustment takes place at the ventilation power controller according to use situations.

Normal operation (Ventilation controller position 2 or 3)

Ventilation has to be continuous: the air volume of the dwelling has to be changed at least every two hours.

Absence operation (Ventilation controller position 1)

When the dwelling is empty, ventilation can be lowered from the normal operation position unless it puts the structures or the ventilation system in danger.

Boost operation (Ventilation controller positions 3 to 4)

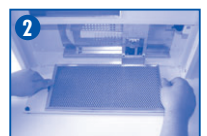
Cooking, taking a sauna bath, washing, drying of clothes, use of toilet, having guests, overheat or a similar situation may cause a need for more powerful ventilation than normally. This can be implemented by boosting ventilation on the whole or for specific rooms. As an example, the flap of the cooker hood is kept open during cooking, but at other times it is shut or at the minimum position.

HOUSE FAN MAINTENANCE

In order to ensure sufficient extract air volume, take care of the cleanliness of the grease filter. Clean the grease filter often enough by removing it and washing it carefully.

Removing and cleaning grease filter

- Pull the glass of the hood out to the max. position.
- Turn the quick fasteners of the bottom plate of the hood open (1).
- Turn the bottom plate to the lower position.
- Remove the grease filter from its holder (2).
- Wash the filter at least 1 to 2 times a month with warm water and detergent manually or in a dishwasher.
- When the cooker is used a lot, wash the filter sufficiently often.



NOTE!

Neglecting the instructions given for cleaning the grease filter may cause a fire risk.

Changing lamps

- Pull the glass of the hood out to the max. position.
- Remove the protective glass of the lamp by moving it to the left (3).
- Remove the lamp by pulling it to the left (4).
- Lamp type fluorescent lamp PL (11 W).



Also take care of the external tidiness of the house fan. Detergents meant for the cleaning of stove enamelled and plastic surfaces are suitable for the cleaning.

Cleaning fan blade

- The fan of the house fan is located in a fan house fastened in the part capturing cooking odours, behind a spice rack or similar fitment.
- Remove the spice rack or similar fitment.
- Remove the connection wire from the power plug-in.
- Open the fastening screws of the fan house.
- Remove the blade from the fan.
- Clean the blade with a brush and a damp cloth.
- Wipe the inner side of the fan envelope with a damp cloth.

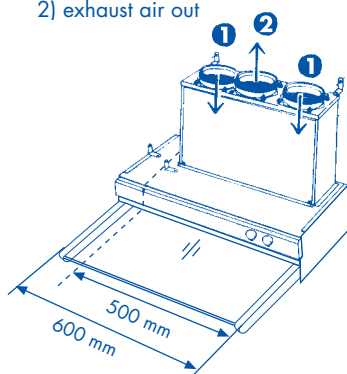


MOUNTING INSTRUCTIONS



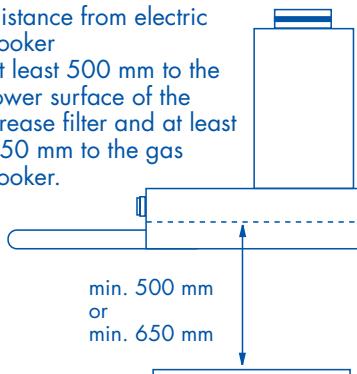
Connection units and mounting distance

- 1) extract air from rooms to fan
- 2) exhaust air out



Mounting distance

Distance from electric cooker at least 500 mm to the lower surface of the grease filter and at least 650 mm to the gas cooker.



After the mounting you can remove this background paper and fasten the operating manual in the adhesive label on the opposing side inside the spice cupboard door, for instance.

NOTE!

The house fan must not be connected to a flue which is used for extracting combustion gases from appliances running on other sources of energy than electricity.

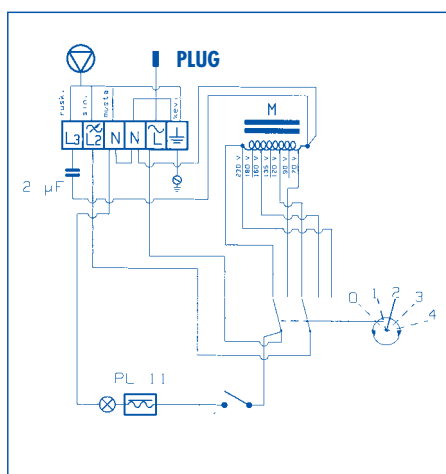
The regulations by authorities covering how extract air must be conducted have to be taken into account.

A sufficient supply of fresh air into a room has to be arranged if the house fan and appliances running on other sources of energy than electricity are used simultaneously.

Fastening

1. Fasten the fastening brackets on the back edge and sides of the house fan to the hood of the house fan (Figure 1).
2. Mark the locations of the fastening screws
3. Fasten the screws on the wall. The fastening screws in the accessory bag are suitable for wooden, chipboard, concrete and masonry walls. When fastening on other surfaces, use appropriate fixing accessories.
4. Lift the house fan in place and fasten the fastening brackets on the back edge to the wall (Figure 2).
5. Fasten the fastening bracket on the side to the cupboard (Figure 3).
6. Connect the extract air ductwork to the outlets on the sides of the house fan. If you only use one of the outlets, plug the other outlet. Connect the exhaust air ductwork to the outlet in the middle. Ensure that the connections are tight.
7. Connect the house fan to the electrical network with a plug. Make sure that the plug can be removed when needed.

Electrical connection



Performance

