

VALLOX

Model
Vallox Delico KTD

Document
D10605

Type
A279841-1

Valid from
08.04.2021

Updated
03.10.2022

MANUAL

VALLOX Delico KTD

Manual



The Vallox Delico KTD cooker hood is designed to be used above the cooker top or as a general extraction valve in the kitchen.

VENTILATION CONTROL

For buildings with a centralized ventilation system.

The air flow of the Vallox Delico KTD cooker hood is adjusted during setup by using a joint duct valve that is installed on the hood and also serves as a smoke limiter.

USING THE COOKER HOOD

The cooker hood is designed to be used above the cooker top and as a general extraction valve in the kitchen.

The cooker hood has a sliding part that can be pulled out of the cooker hood. Pull the sliding part out of the cooker hood for maximal extraction capacity.

Cooker hood light

Turn the light on by pulling the sliding part out of the cooker hood. Turn the light off by pushing the sliding part back inside the cooker hood.

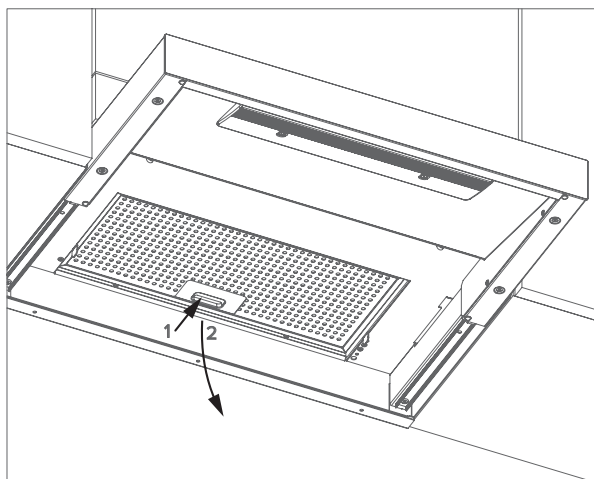
The adjustment screw of the switch, located below the sliding part, can be used to determine how far out the sliding part needs to be pulled before the light turns on. The deeper the switch is, the later the light will turn on, and vice versa. Where needed, the switch can be adjusted after installation once the limiter screws of the sliding part have been adjusted.

MAINTENANCE

Keep the cooker hood clean. Wipe outer surfaces regularly with water containing a small amount of a mild detergent. Clean off any grease stains immediately. Do not use abrasive or corrosive detergents or tools.

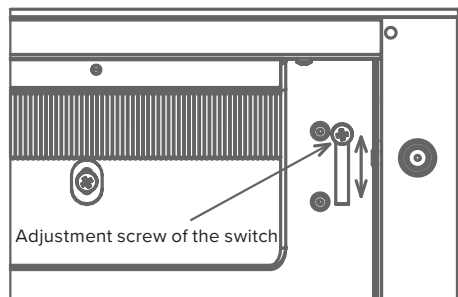
Keep the grease filter clean to ensure an adequate extract air flow. The grease filter must be washed with warm water and detergent at least 1-2 times a month.

Removing and mounting the grease filter



CAUTION

- Neglecting the cleaning of the grease filter can cause a fire hazard.
- The outer surfaces of the hood can become hot when the cooker or the oven is turned on.
- Flaming is forbidden underneath the cooker hood.
- Always follow the instructions provided on adjusting the efficiency of ventilation.
- Enable a sufficient supply air flow into the room if the cooker hood and non-electric devices are used simultaneously.



Light

The cooker hood has a long-lasting LED lighting module (6.7 W). If the light is not working, contact a servicing company.

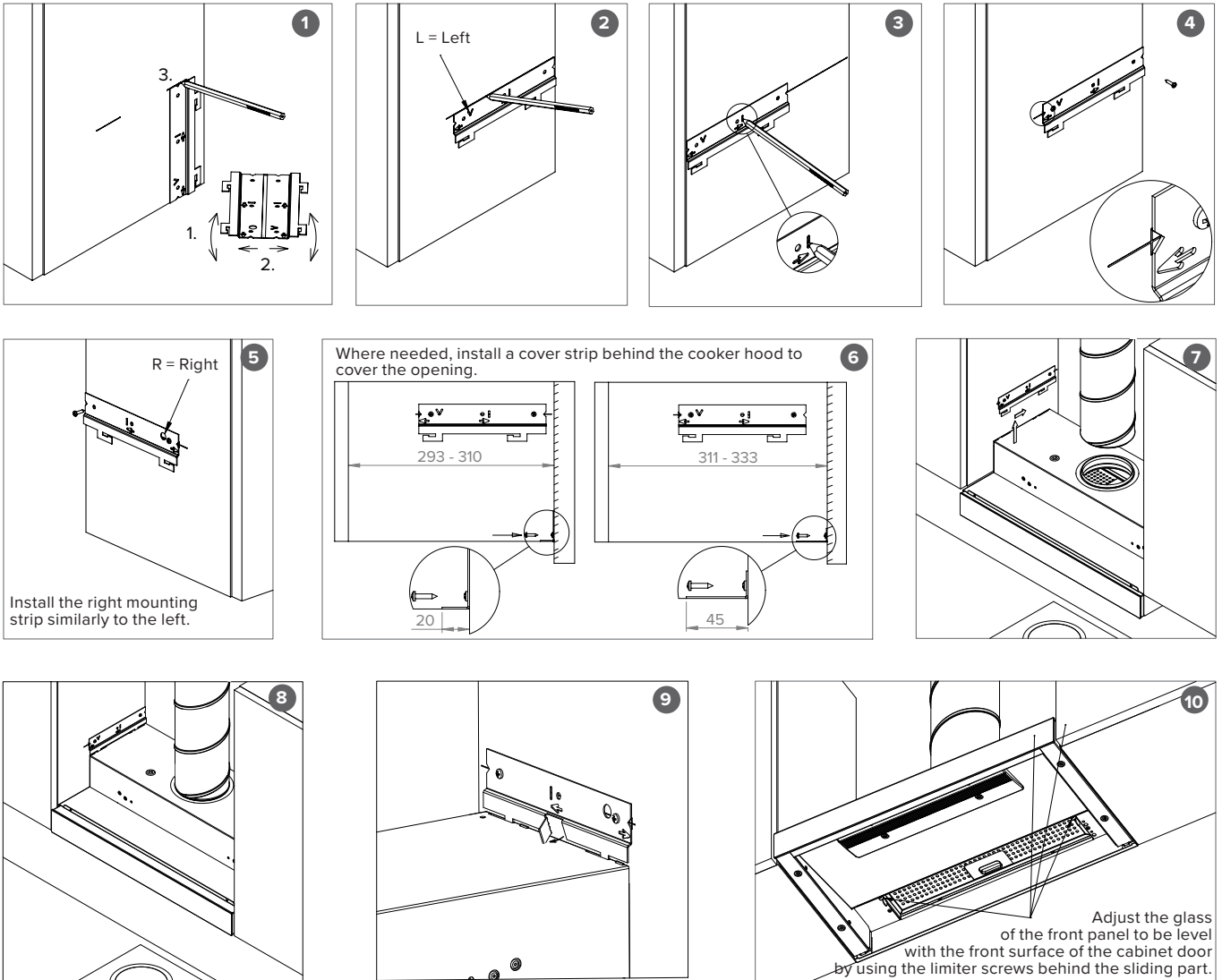
- Pull the sliding part out of the cooker hood.
- Pull the locking device of the grease filter towards the front edge of the cooker hood while pulling the grease filter downwards until it comes off.
- Wash the grease filter and leave to dry.
- Mount the grease filter back in place. Push the front edge of the filter into the pins on the cooker hood, and click the rear edge in place.



NOTE

Ensure that the locking device points downwards.

INSTALLATION



WARNING

The unit is not intended for use by children under 8 or by persons with reduced sensory, physical or mental capabilities, or whose lack of knowledge and experience do not ensure safe operation of the unit. Such persons can use the unit under supervision, or by following the instructions of someone who is responsible for their safety. Do not let children play with the unit or to clean or maintain it without supervision.



CAUTION

The cooker hood must not be connected to a flue that is used for removing combustion gases (e.g. from a wood- or gas-burning fireplace, cooker, or stove).



CAUTION

The power outlet used for the cooker fan must be easy to access. Only the power adapter that is delivered with the unit and corresponds to the voltage specified in the type plate of the unit must be used to connect the cooker hood into the mains.



CAUTION

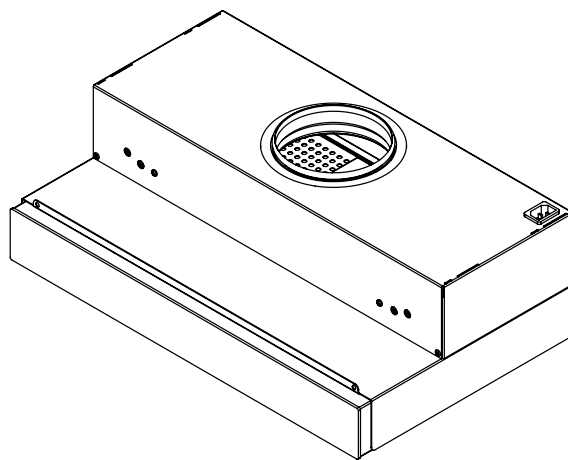
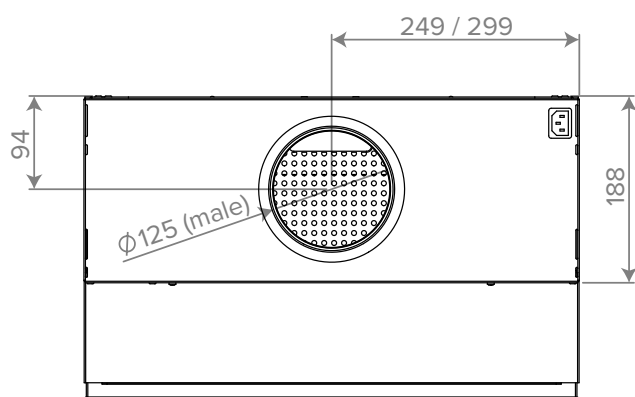
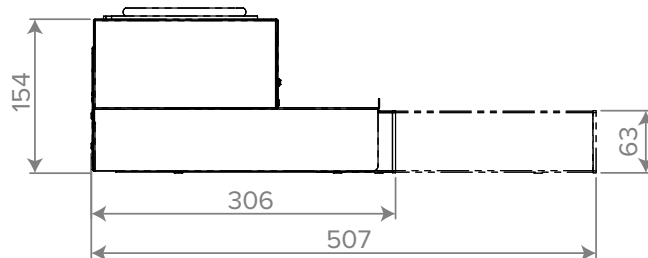
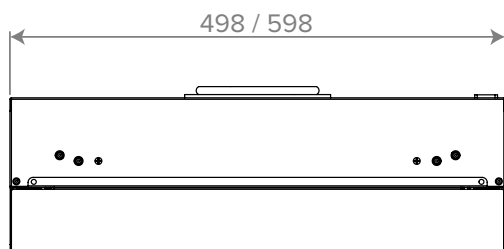
The minimum distance of the bottom edge of the hood to an electric cooker is 400 mm and to a gas cooker 650 mm.



CAUTION

Regulations on leading extraction air outdoors must be observed.

DIMENSION DIAGRAMS



VALLOX

www.vallox.com

Vallox Oy | Myllykyläntie 9-11 | 32200 LOIMAA | FINLAND