

VALLOX Delico KTD A

Manual



The Vallox Delico KTD A cooker hood is designed to be used above the cooker top, or as a general extraction valve in the kitchen.

The hood has a timer damper and a guard function.

VENTILATION CONTROL

The removal of cooking smells can be enhanced by using the adjustment damper of the hood. Potential-free contact data and 230 V 4 A supply voltage are provided of the position of the damper.

When Vallox Delico KTD A is connected to the joint extraction system of a multi-storey building, a Vallox Smoke Limiter must also be installed.

USING THE COOKER HOOD

The cooker hood has a sliding part that can be pulled out of the cooker hood. Pull the sliding part out of the cooker hood for maximal extraction capacity.

Front panel buttons

The front panel of the cooker hood has two buttons and two signal lights.



Position of the damper

The damper is opened by pressing the damper button (light turns on). The damper is closed (light turns off) by pressing the damper button or automatically after one hour (without a timer or 45-120 min when programmed).

In normal circumstances, the damper must be closed (the signal light is off), which boosts the extract air flow from other premises.

The damper must be open (the signal light is turned on) **when the user wants to increase the extract air flow from the cooker hood** e.g.

- when the cooker top or the oven is used for cooking
- when the load in the kitchen is exceptional e.g. due to the use of strong detergents or the presence of a large number of people.

Touch the button on the damper to open it and to start the timer. The damper will close automatically within 60 minutes.

Cooker hood light

Turn the light on or off by pressing the light switch. The light is dimmable. Adjust the brightness by pressing the light switch until the brightness is adequate.

Selection button

The selection button is roughly 3 cm to the left from the damper button. The selection button is not marked on the front panel.



CAUTION

- Neglecting the cleaning of the grease filter can cause a fire hazard.
- The outer surfaces of the hood can become hot when the cooker or the oven is turned on.
- Flaming is forbidden underneath the cooker hood.
- Always follow the instructions provided on adjusting the efficiency of ventilation.
- Enable a sufficient supply air flow into the room if the cooker hood and non-electric devices are used simultaneously.

Other functions

Guard function

The cooker hood has a guard function that is activated when the temperature of the cooker hood exceeds +60 °C or after a sudden increase in temperature (> 8 °C/ min). In such a case, the damper of the cooker hood closes and all signal lights of the cooker hood and the LED light will flash. If this kind of alarm is noticed before fire damage, it can be acknowledged by pressing any of the cooker hood buttons.

Pre-selection of light brightness

To modify the pre-selection of light brightness:

1. Turn the light on and close the damper.
2. Press the selection button for 10 seconds until the setting mode signal light starts to flash.
3. Adjust the brightness of the light by pressing the light button until the brightness is adequate.
4. To save the setting, press the selection button for roughly 3 seconds until the setting mode signal light stops to flash.

To read about the other functions of the selection button, go to our website, www.vallox.com.



WARNING

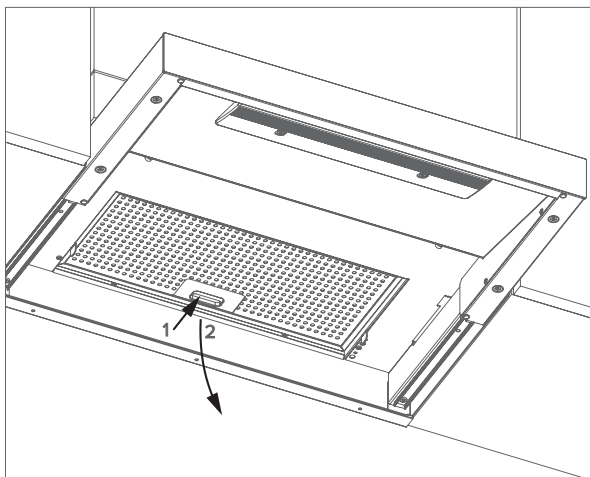
The unit is not intended for use by children under 8 or by persons with reduced sensory, physical or mental capabilities, or whose lack of knowledge and experience do not ensure safe operation of the unit. Such persons can use the unit under supervision, or by following the instructions of someone who is responsible for their safety. Do not let children play with the unit or to clean or maintain it without supervision.

MAINTENANCE

Keep the cooker hood clean. Wipe outer surfaces regularly with water containing a small amount of a mild detergent. Clean off any grease stains immediately. Do not use abrasive or corrosive detergents or tools.

Keep the grease filter clean to ensure an adequate extract air flow. The grease filter must be washed with warm water and detergent at least 1-2 times a month.

Removing and mounting the grease filter



Light

The cooker hood has a long-lasting LED lighting module (6.7 W). If the light is not working, contact a servicing company.

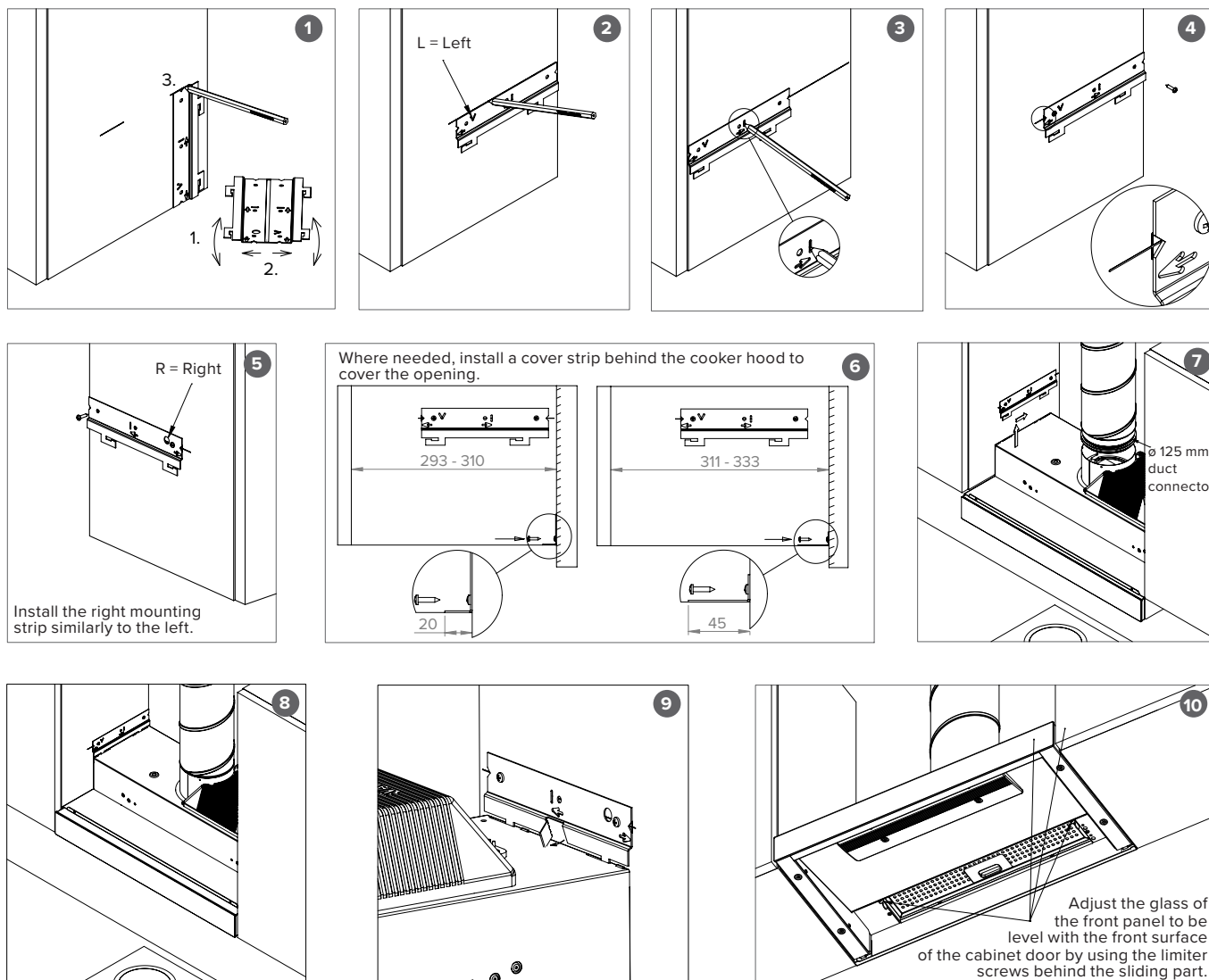
- Pull the sliding part out of the cooker hood.
- Pull the locking device of the grease filter towards the front edge of the cooker hood while pulling the grease filter downwards until it comes off.
- Wash the grease filter and leave to dry.
- Mount the grease filter back in place. Push the front edge of the filter into the pins on the cooker hood, and click the rear edge in place.



NOTE

Ensure that the locking device points downwards.

INSTALLATION



CAUTION
The cooker hood must not be connected to a flue that is used for removing combustion gases (e.g. from a wood- or gas-burning fireplace, cooker, or stove).



CAUTION
The power outlet used for the cooker fan must be easy to access.

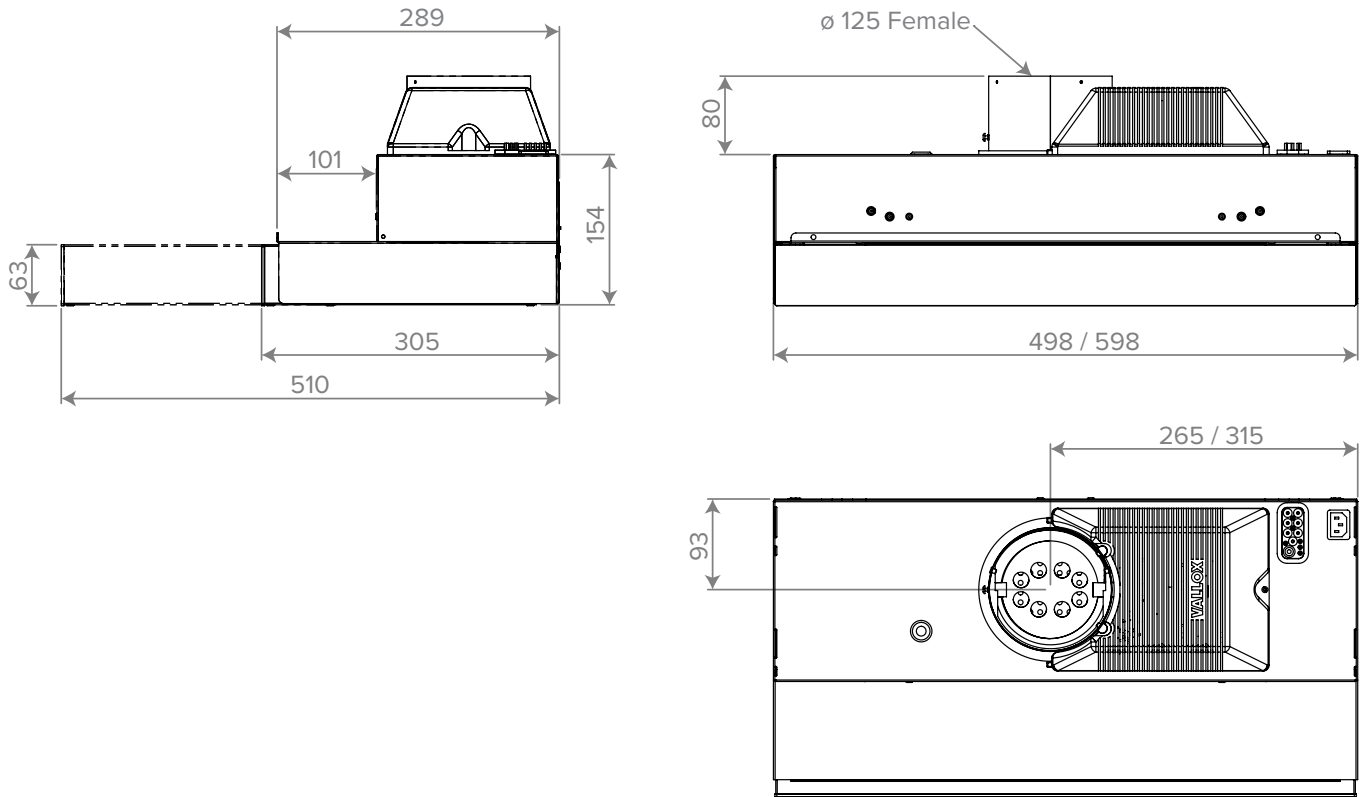


CAUTION
Regulations on leading extraction air outdoors must be observed.



CAUTION
The minimum distance of the bottom edge of the hood to an electric cooker is 400 mm and to a gas cooker 650 mm.

DIMENSION DIAGRAMS

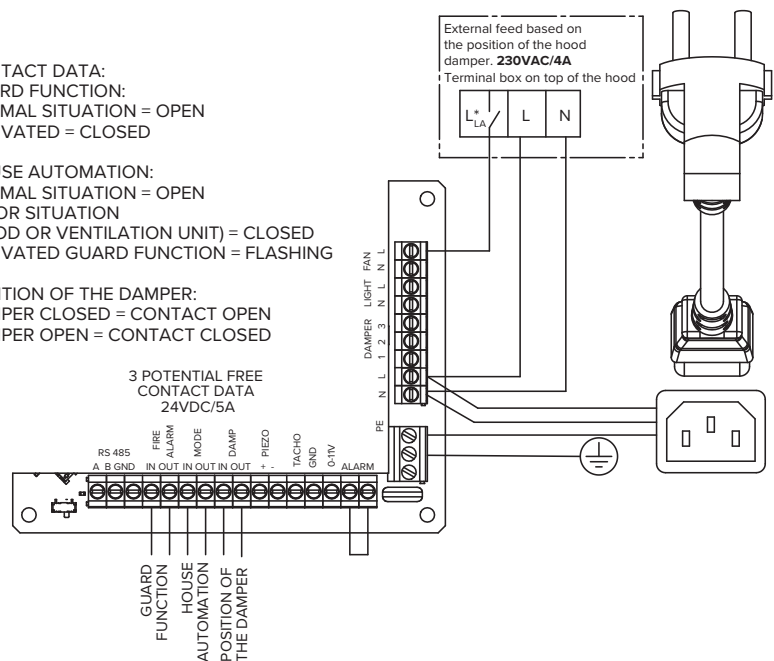


EXTERNAL ELECTRICAL CONNECTION TO THE VENTILATION UNIT

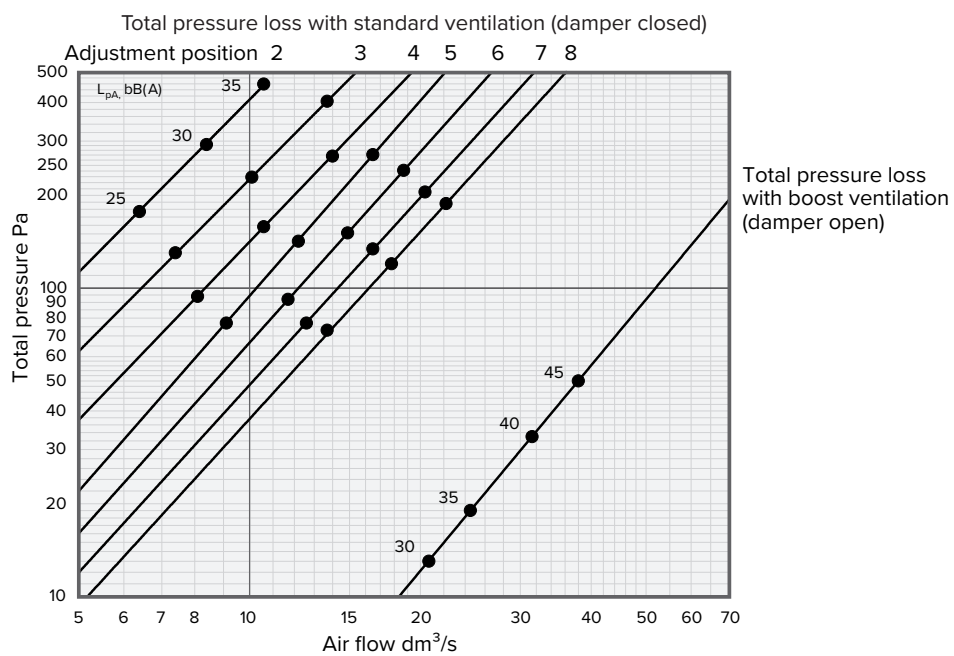
CONTACT DATA:
GUARD FUNCTION:
NORMAL SITUATION = OPEN
ACTIVATED = CLOSED

HOUSE AUTOMATION:
NORMAL SITUATION = OPEN
ERROR SITUATION
(HOOD OR VENTILATION UNIT) = CLOSED
ACTIVATED GUARD FUNCTION = FLASHING

POSITION OF THE DAMPER:
DAMPER CLOSED = CONTACT OPEN
DAMPER OPEN = CONTACT CLOSED



TOTAL PRESSURE LOSS AND SOUND VALUES



MEASURING AND ADJUSTING PERFORMANCE VALUES

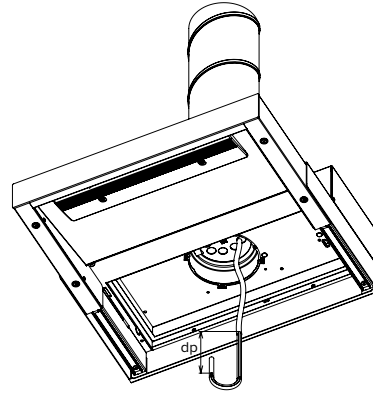
Standard ventilation

The volume flow rate of the air inside the cooker hood is measured with the damper closed and, where required, adjusted based on the static pressure loss and the performance scheme of the cooker hood.

- Measure the static pressure loss of the cooker hood by pushing the probe through the hole in the damper (see the figure).
- Determine the volume flow rate from the performance scheme based on the measured pressure and the number of open holes in the damper.

Adjustment:

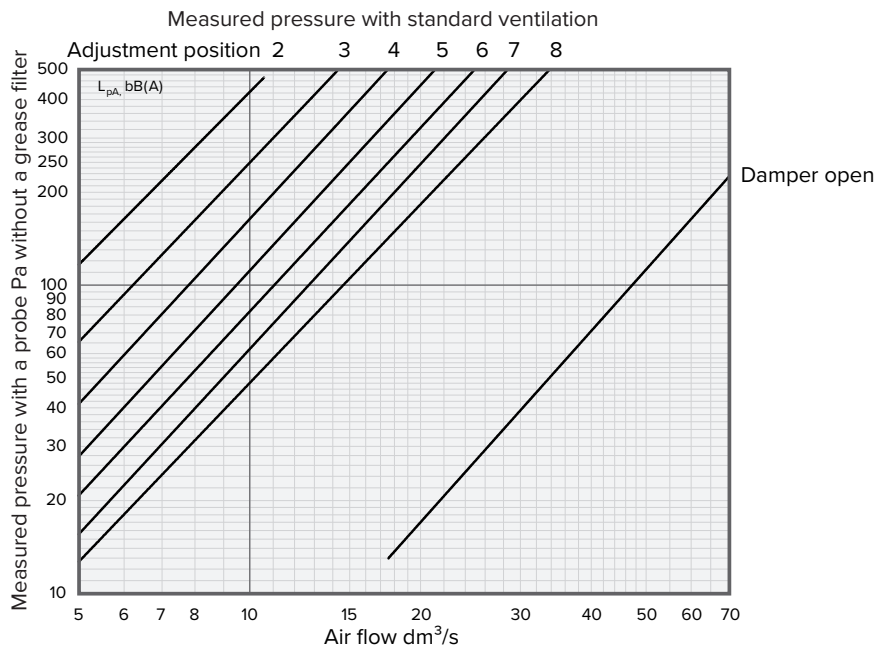
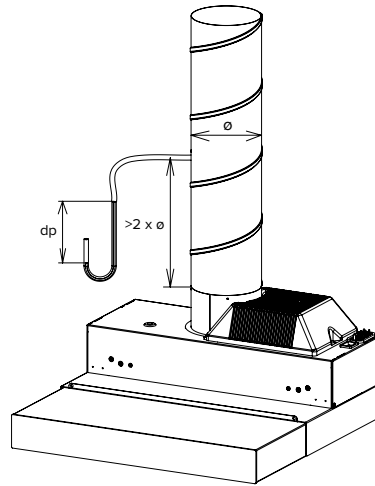
- Cover the required number of holes in the damper with the magnetic strip that is delivered with the cooker hood.



Boost ventilation

The volume flow rate of the air inside the cooker hood is measured with the damper open based on the static pressure loss and the performance scheme of the cooker hood.

- Measure the static pressure loss of the cooker hood. The measuring point must be located 2 times the duct diameter above the outlet collar of the cooker hood (see figure).
- Determine the volume air flow based on the measured pressure and the performance scheme (with the damper open).



NOTE

If a Vallox Smoke Limiter has been installed in connection to the Vallox Delico KTD A cooker hood, air flow adjustment must be completed in accordance with the manual of the Smoke Limiter.

K VALUES

	Adjustment position	Holes of the damper open	K value
STANDARD VENTILATION	2	2	0.5
	3	3	0.6
	4	4	0.8
	5	5	1.0
	6	6	1.1
	7	7	1.3
	8	8	1.4
		Damper open	

VALLOX

www.vallox.com

Vallox Oy | Myllykyläntie 9-11 | 32200 LOIMAA | FINLAND