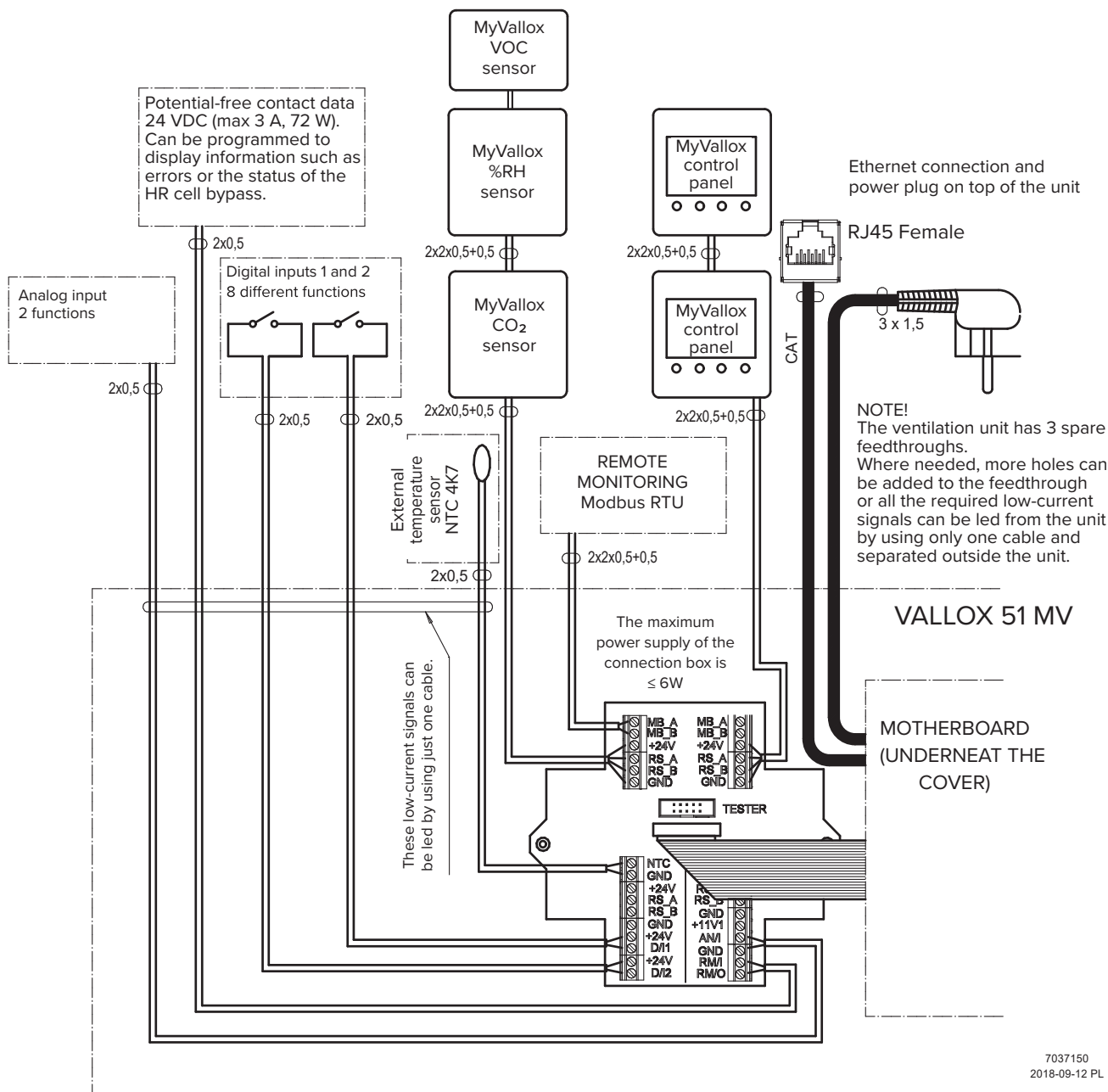


EXTERNAL ELECTRICAL CONNECTION | VALLOX 51 MV



7037150
2018-09-12 PL

POWER SUPPLY	
Maximum	≤6 W
MyVallox Control	1 W
MyVallox Touch	0.5 W
MyVallox %RH sensor	0.3 W
MyVallox CO ₂ sensor	1.2 W
MyVallox VOC sensor	2 W
External actuator or damper motor of the unit that receives feed from the relay	
Voltage	24 VDC

MB_A	External Modbus A signal
MB_B	External Modbus B signal
+24V	+24V voltage (DC)
GND	Digital and analog ground potential
RS_A	Local hardware Modbus A signal
RS_B	Local hardware Modbus B signal
NTC	External temperature sensor connector

D/I1	Digital input 1
D/I2	Digital input 2
11V1	11.1 V operating voltage
AN/I	Analog input 0-10 VDC
RM/I	24V relay input
RM/O	24V relay output

EXTERNAL ELECTRIC CONNECTION FOR CONTROLLING THE MLV DUCT RADIATOR | MYVALLOX VENTILATION UNITS

