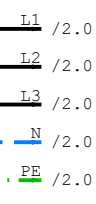
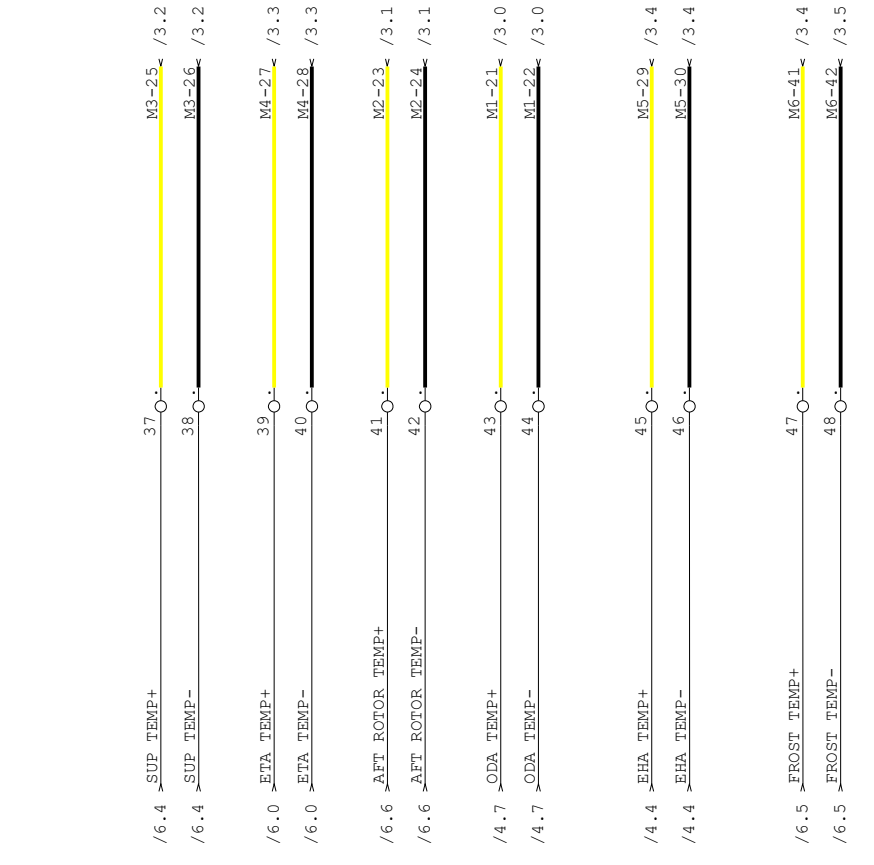
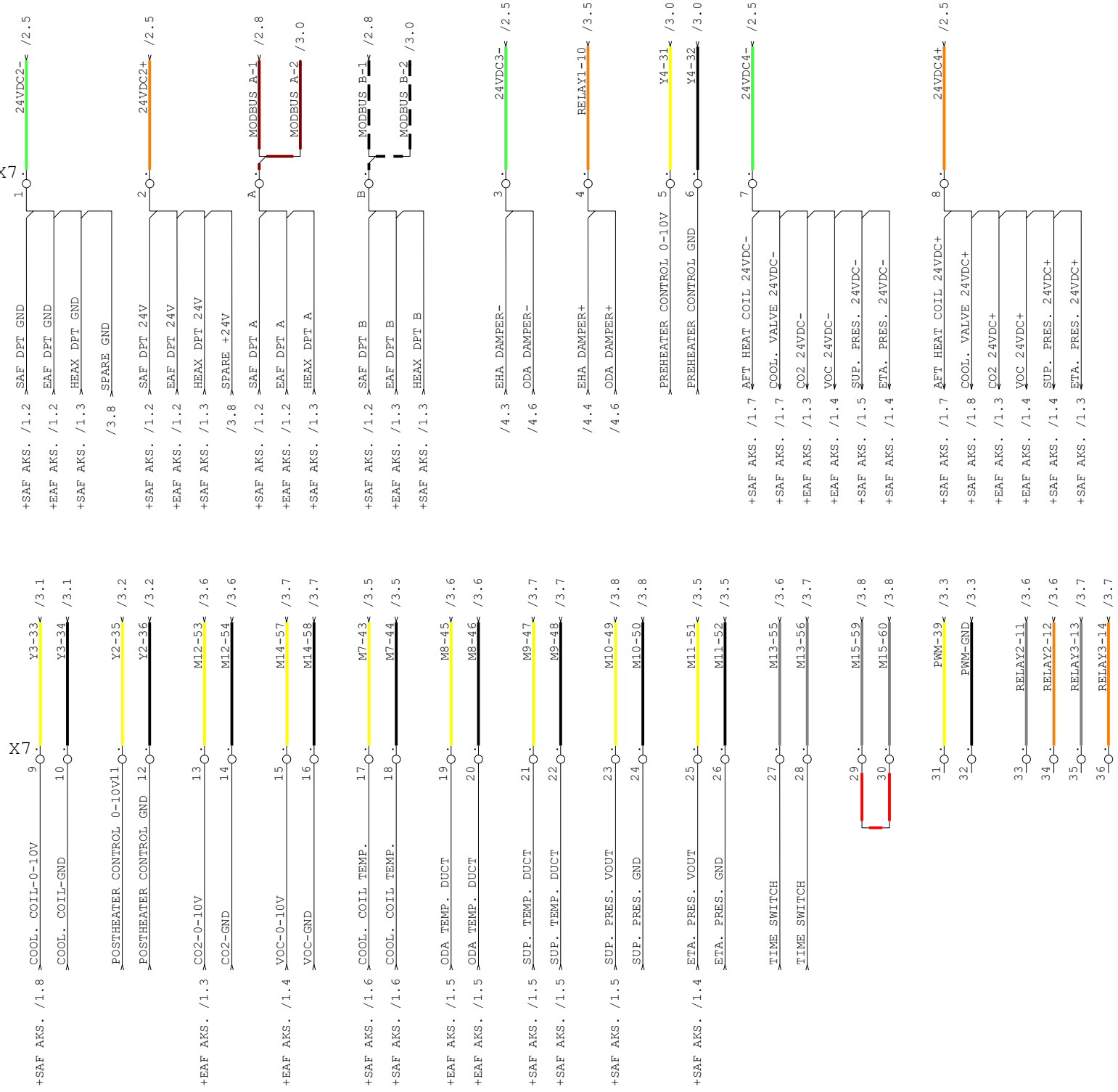
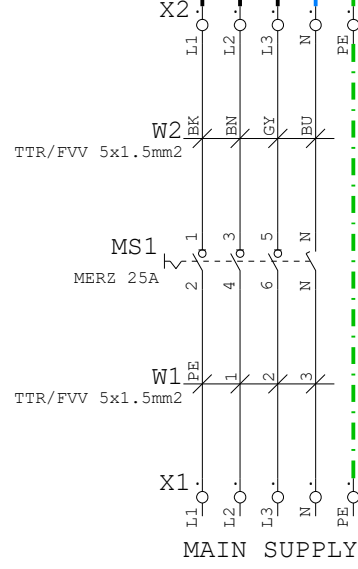
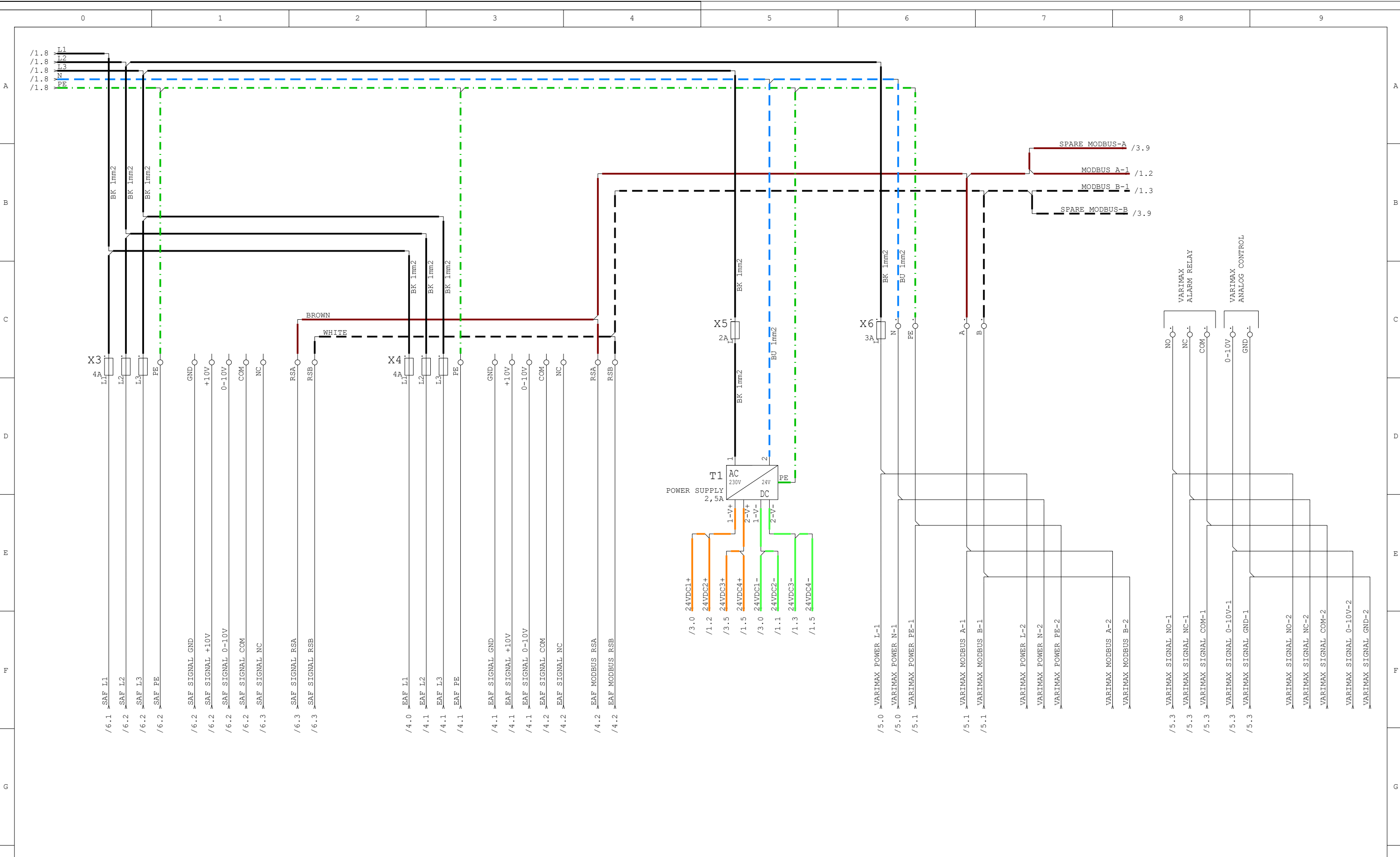


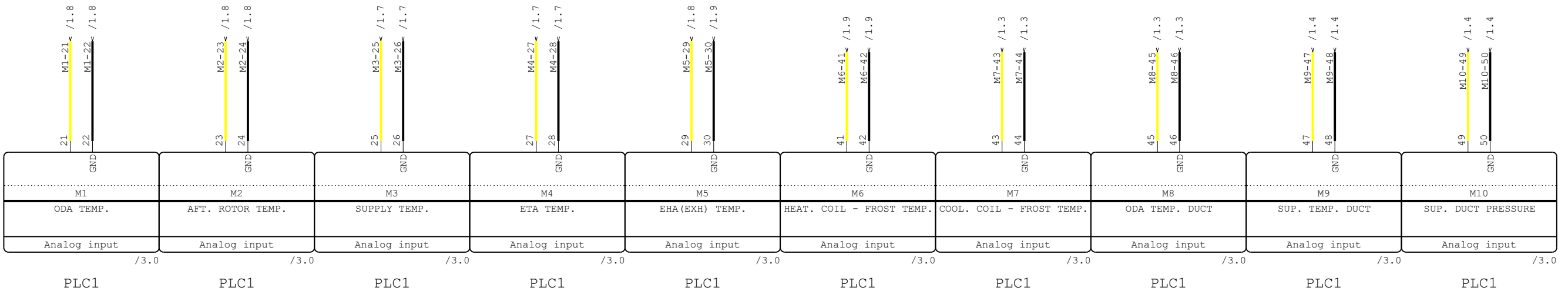
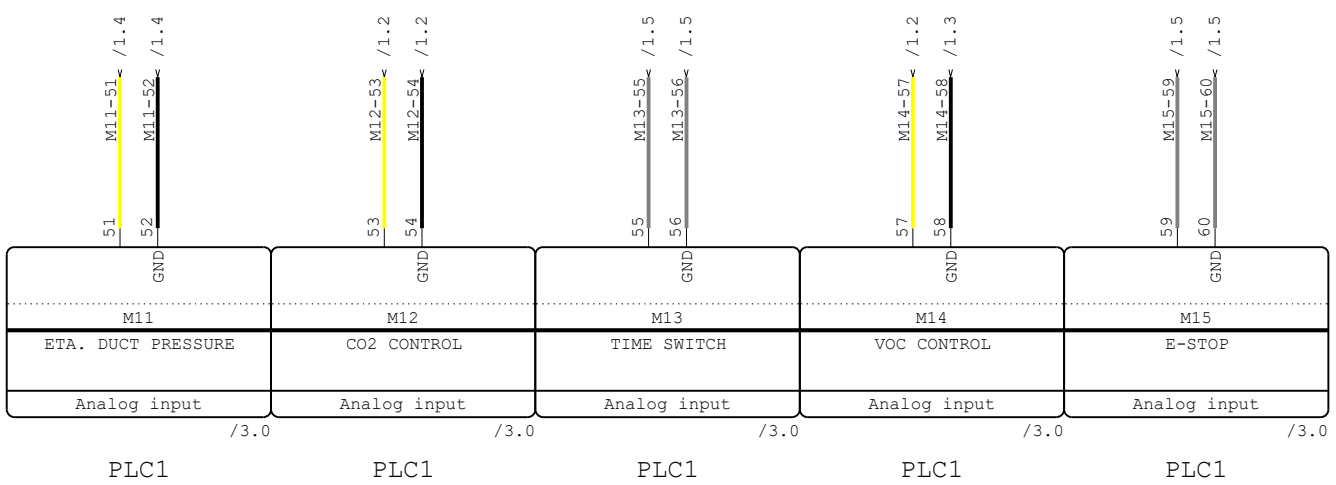
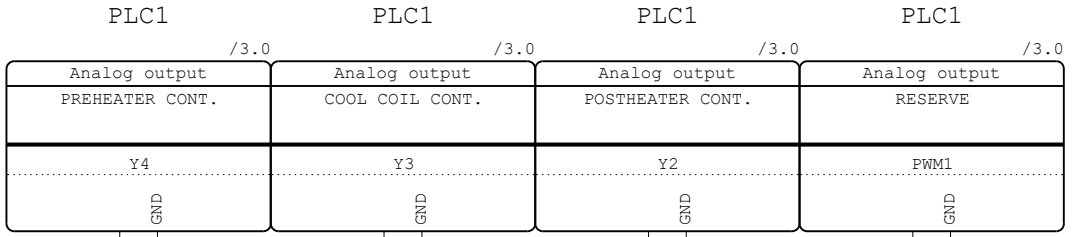
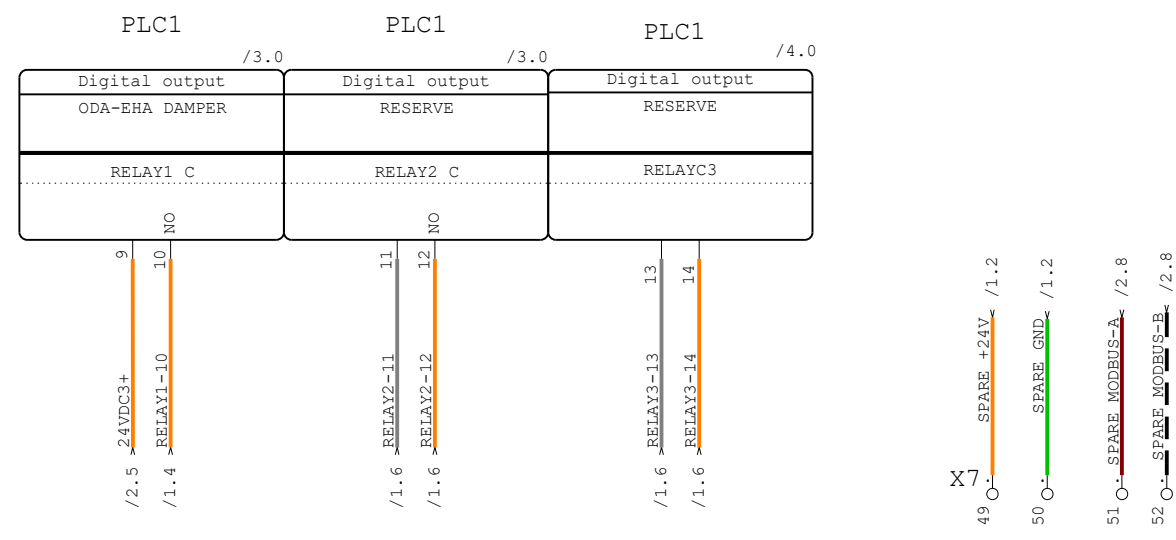
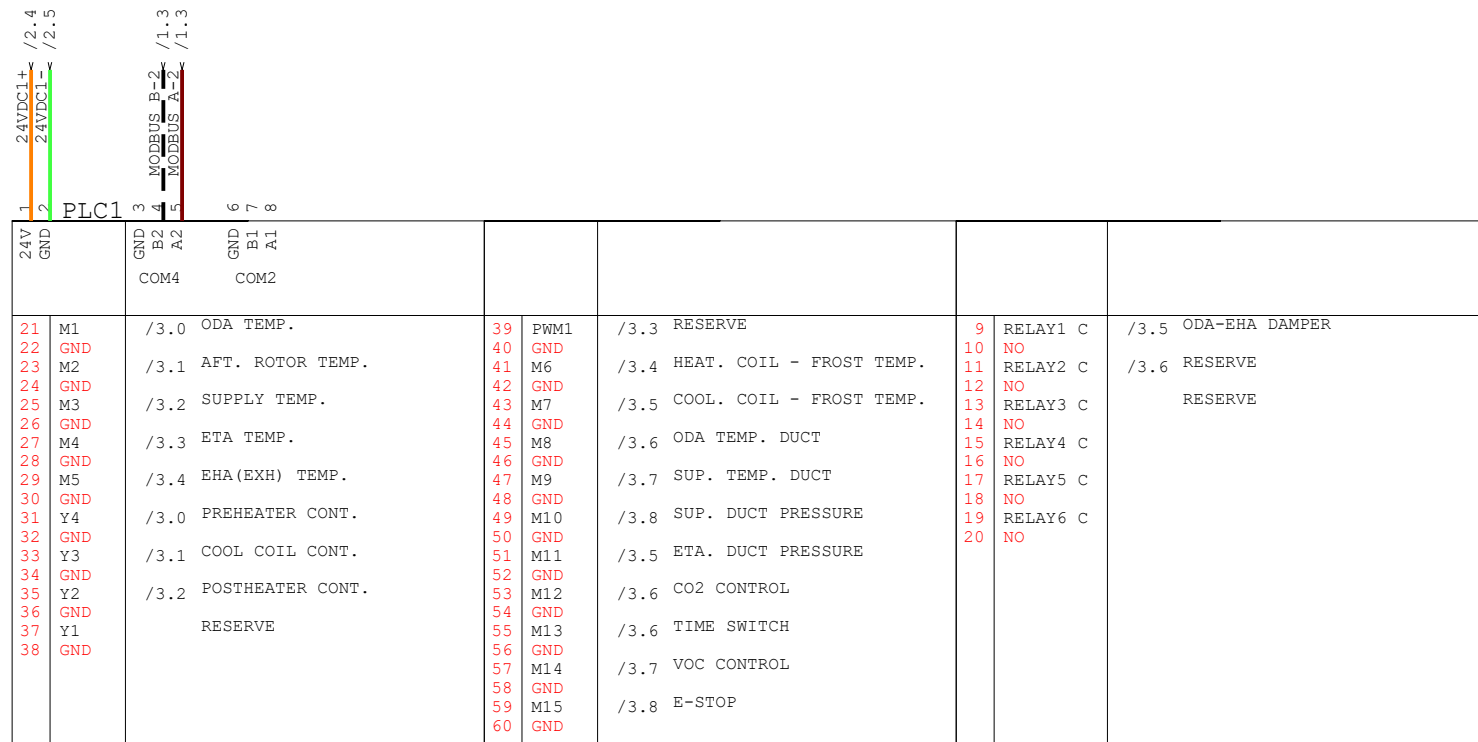
Unit Type:  
Project Unit Type:  
Project: VALLOX-SR2000\_REV  
Order Number:  
Project Name  
Manufacturing Date: 25.12.2025



Status	Rev.	Date	Name	Date	Drawn by	Checked by	Standard	Project Name		Sheet current	
										1 previous	
										next	
										2 Total number	
										6	
Section								Drawing number		Scale 1:1	



Status	Rev.	Date	Name	Date	Drawn by	Checked by	Standard	Project Name		<u>Sheet</u> current 2 previous 1 next 3 Total number 6
Section								Drawing number	Scale 1:1	



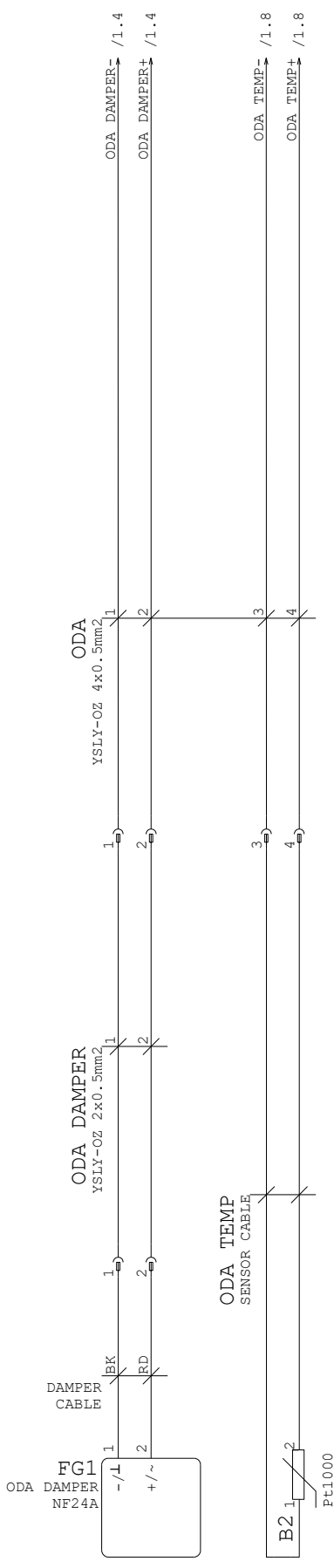
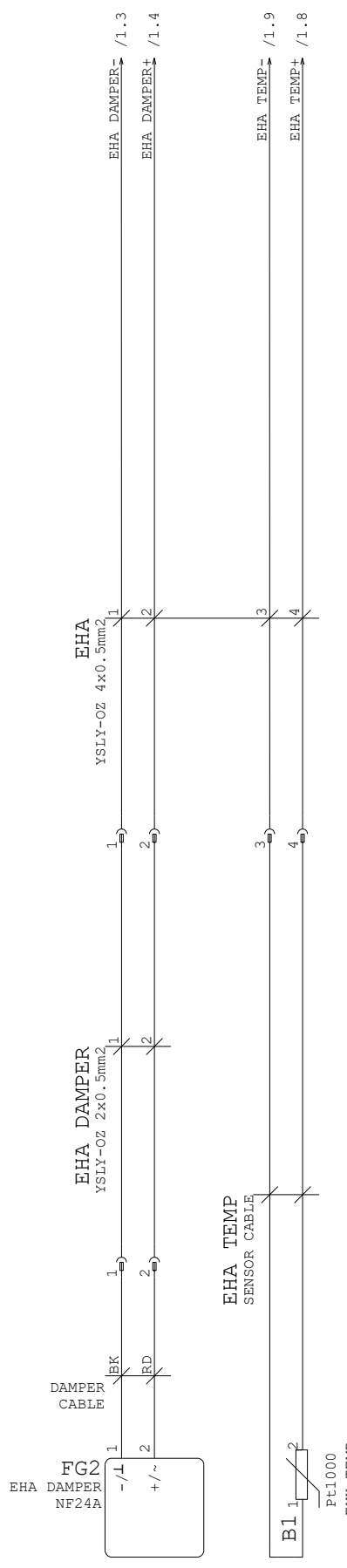
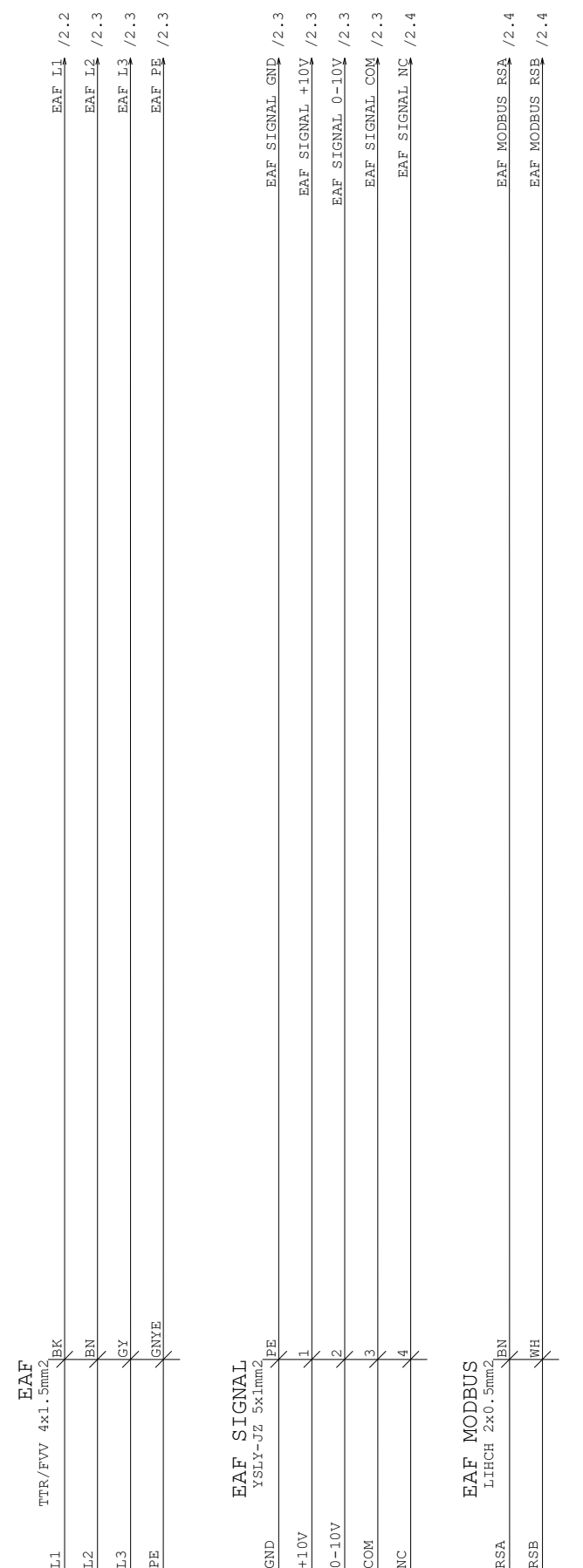
Status	Rev.	Date	Name	Date	Drawn by	Checked by	Standard	Project Name	Sheet current
									3
									previous
									2
									next
									4
									Total number
									6

Drawing number  
Scale 1:1

0 1 2 3 4 5 6 7 8 9

A B C D E F G H

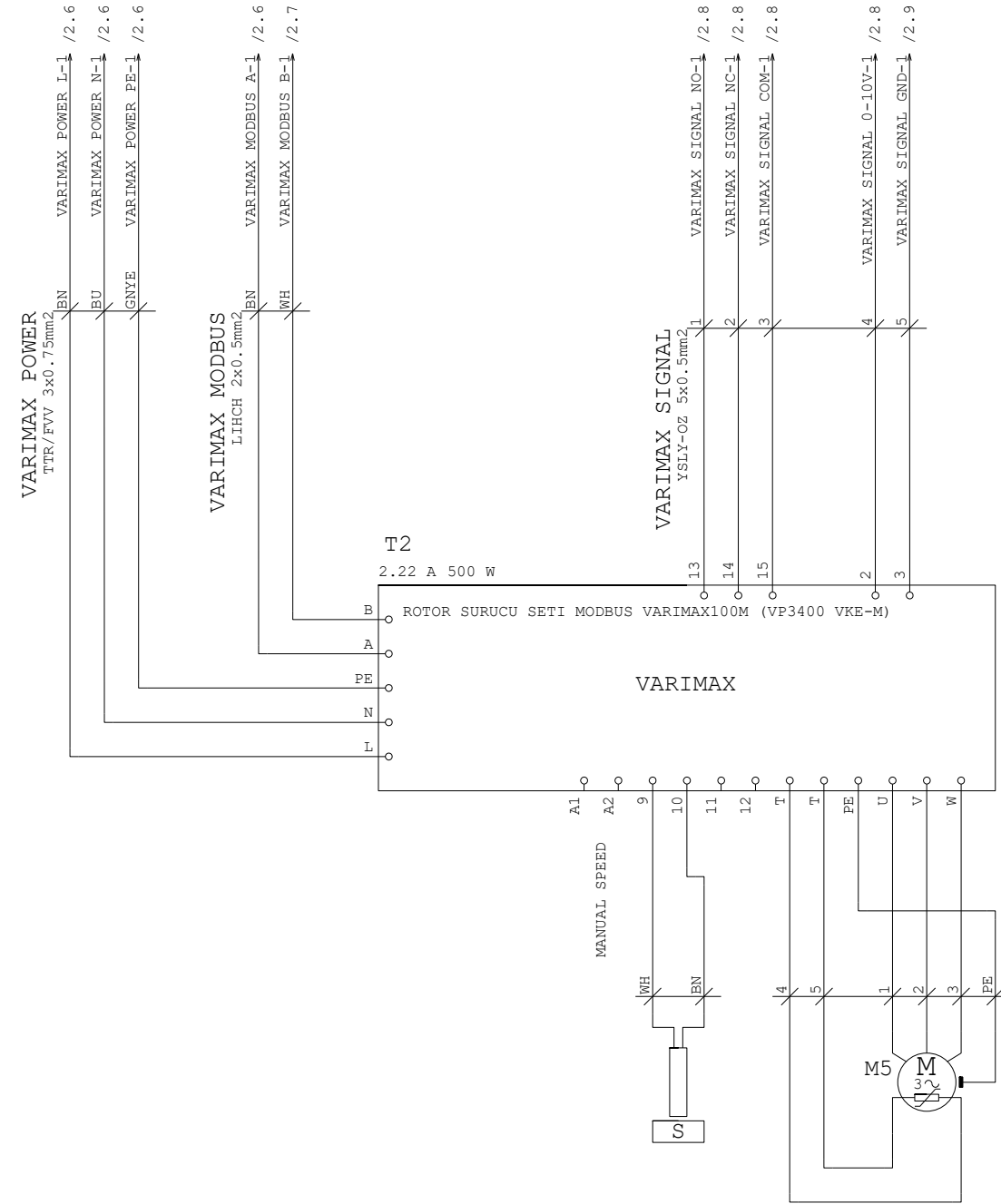
M2  
EXHAUST FAN-1  
R3G450-FK59-01  
1.5kW / 2.3A  
K FACTOR: 250  
V= 7200m3/h



Status	Rev.	Date	Name	Date	Drawn by	Checked by	Standard	Project Name		Sheet	
										current	4
										previous	3
										next	5
										Total	6
Section								Drawing number		Scale 1:1	

0 1 2 3 4 5 6 7 8 9

H



Status	Rev.	Date	Name	Date	Drawn by	Checked by	Standard	Project Name		Sheet current
										5
										previous
										4
										next
										6
										Total number
										6
Section								Drawing number	Scale 1:1	

