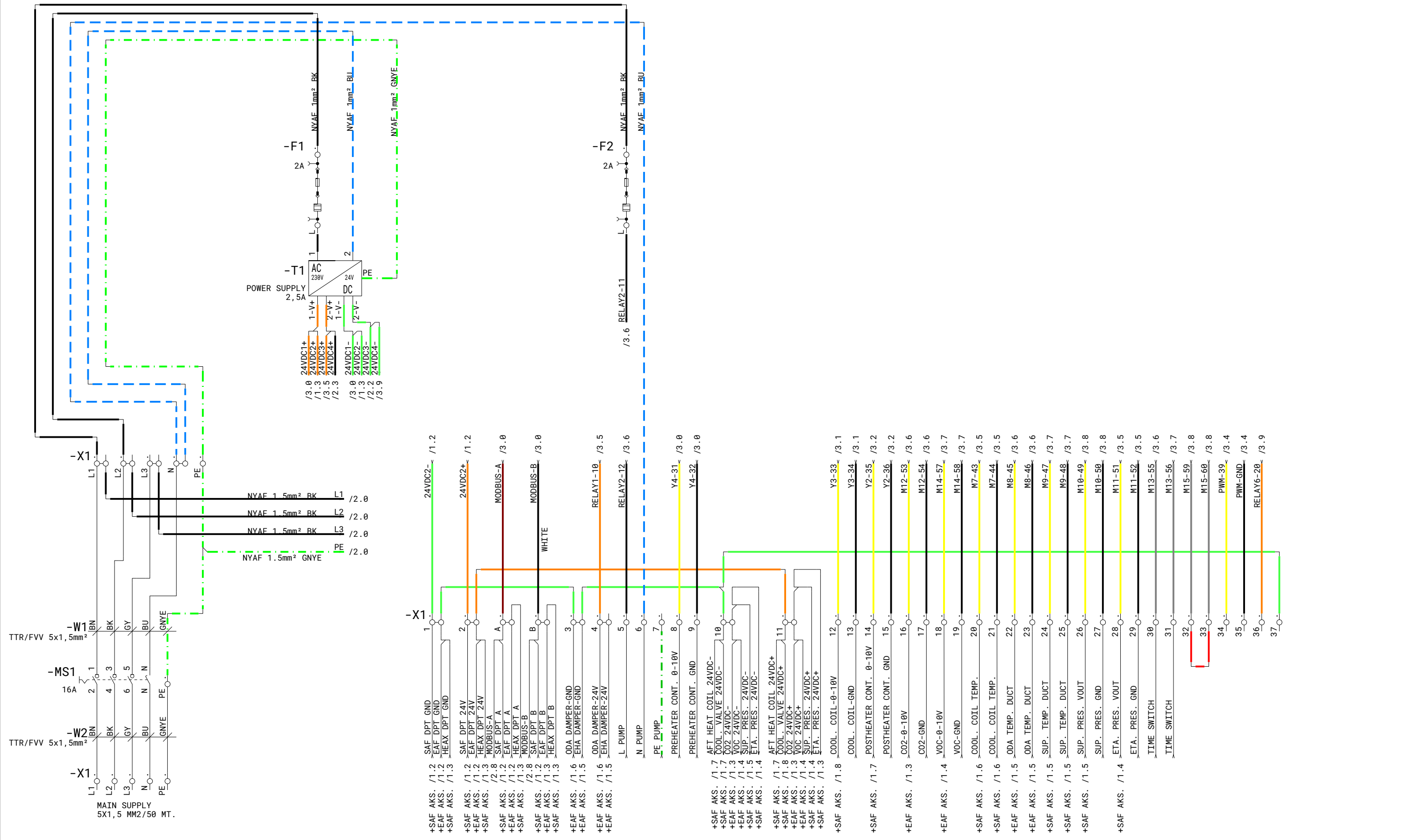


Unit Type:  
Project Unit Type:  
Project: VALLOX TX 900  
Order Number:  
Project Name  
Manufacturing Date: 02.02.2026



Terminal	Label	Wire	Spec
1	SAF DPT GND	24VDC2-	/1.2
2	SAF DPT 24V	24VDC2+	/1.2
3	MODBUS-A	MODBUS-A	/3.0
4	MODBUS-B	MODBUS-B	/3.0
5	RELAY1-10	RELAY1-10	/3.5
6	RELAY12-12	RELAY12-12	/3.6
7	Y4-31	Y4-31	/3.0
8	Y4-32	Y4-32	/3.0
9	PE	PE	
10	AFT HEAT COIL 24VDC-		
11	COOL VALVE 24VDC+		
12	COOL COIL-0-10V	Y3-33	/3.1
13	COIL-GND	Y3-34	/3.1
14	POSTHEATER CONT. 0-10V	Y2-35	/3.2
15	POSTHEATER CONT. GND	Y2-36	/3.2
16	CO2-0-10V	M12-53	/3.6
17	CO2-GND	M12-54	/3.6
18	VOC-0-10V	M14-57	/3.7
19	VOC-GND	M14-58	/3.7
20	COOL COIL TEMP.	M7-43	/3.5
21	COOL COIL TEMP.	M7-44	/3.5
22	ODA TEMP. DUCT	M8-45	/3.6
23	ODA TEMP. DUCT	M8-46	/3.6
24	SUP. TEMP. DUCT	M9-47	/3.7
25	SUP. TEMP. DUCT	M9-48	/3.7
26	SUP. PRES. VOUT	M10-49	/3.8
27	SUP. PRES. GND	M10-50	/3.8
28	ETA. PRES. VOUT	M11-51	/3.5
29	ETA. PRES. GND	M11-52	/3.5
30	TIME SWITCH	M13-55	/3.6
31	TIME SWITCH	M13-56	/3.7
32		M15-59	/3.8
33		M15-60	/3.8
34	PWM-39	PWM-39	/3.4
35	PWM-GND	PWM-GND	/3.4
36	RELAY6-20	RELAY6-20	/3.9
37			

Status	Rev.	Date	Name	Date	Drawn by	Checked by	Standard
Section							

Project Name VALLOX TX 900		Sheet current 1  previous  next 2 Total number 7
Drawing number	Scale	

+AP /1.0 AP-L1 L1 /1.2  
 +AP /1.1 AP-L2 L2 /1.2  
 +AP /1.1 AP-L3 L3 /1.2  
 +AP /1.1 AP-PE PE /1.2

-X3  
 +AP /2.0 HEAX DAMPER 1-GND 40 WHITE GREEN 24VDC3- /1.2  
 +AP /2.1 HEAX DAMPER 1-24V 41 WHITE RELAY3-14 /3.7  
 +AP /2.1 HEAX DAMPER 2-GND 42 WHITE  
 +AP /2.2 HEAX DAMPER 2-24V 43 GREEN RELAY4-16 /3.8  
 +AP /2.2 HEAX BYPASS-GND 44 WHITE  
 +AP /2.3 HEAX BYPASS-24V 45 GREEN 24VDC4+ /1.2  
 +AP /2.3 HEAX BYPASS-0-10V 46 WHITE Y1-37 /3.3  
 +AP /2.3 HEAX BYPASS-0-10V 46 WHITE

+AP /2.5 SUP.-TEMP. 47 WHITE M3-25 /3.2  
 +AP /2.6 SUP.-TEMP. 48 WHITE M3-26 /3.2  
 +AP /2.6 ETA.-TEMP. 49 WHITE M4-27 /3.3  
 +AP /2.7 ETA.-TEMP. 50 WHITE M4-28 /3.3  
 +AP /2.4 AFT.-HEAX.-TEMP. 51 WHITE M2-23 /3.1  
 +AP /2.5 AFT.-HEAX.-TEMP. 52 WHITE M2-24 /3.1  
 +AP /2.3 ODA.-TEMP. 53 WHITE M1-21 /3.0  
 +AP /2.4 ODA.-TEMP. 54 WHITE M1-22 /3.0  
 +AP /2.7 EHA.-TEMP. 55 WHITE M5-29 /3.4  
 +AP /2.7 EHA.-TEMP. 56 WHITE M5-30 /3.4  
 +AP /2.8 FROST TEMP. 57 WHITE M6-41 /3.4  
 +AP /2.8 FROST TEMP. 58 WHITE M6-42 /3.5

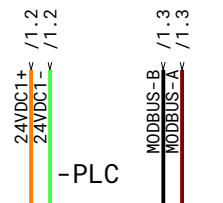
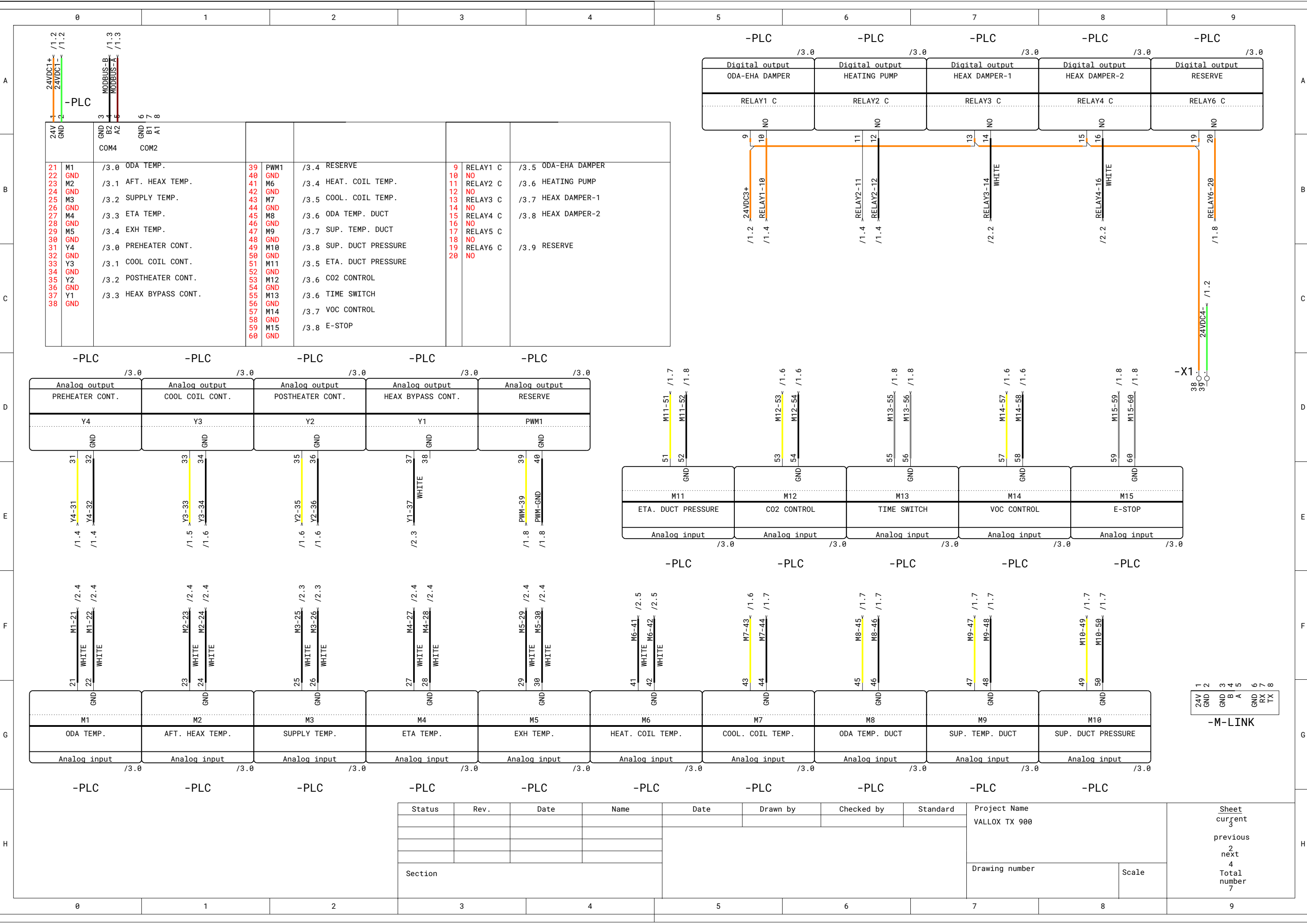
+AP /1.3 SAF-E1 59 WHITE

+AP /1.3 SAF-GND 60 WHITE  
 +AP /1.3 SAF-11 61 WHITE  
 +AP /1.3 SAF-14 62 WHITE  
 +AP /1.3 SAF-24V 63 WHITE  
 +AP /1.3 SAF-D1 64 WHITE  
 +AP /1.4 SAF-10V 65 WHITE

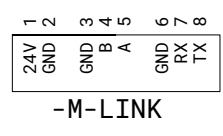
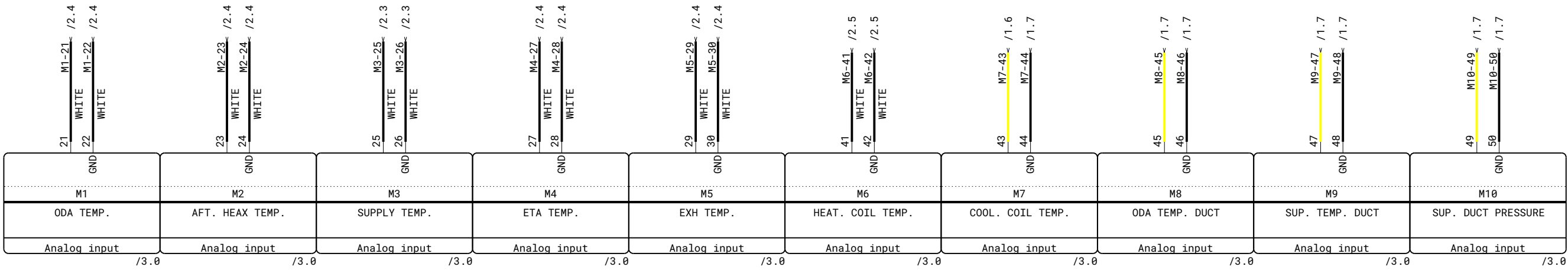
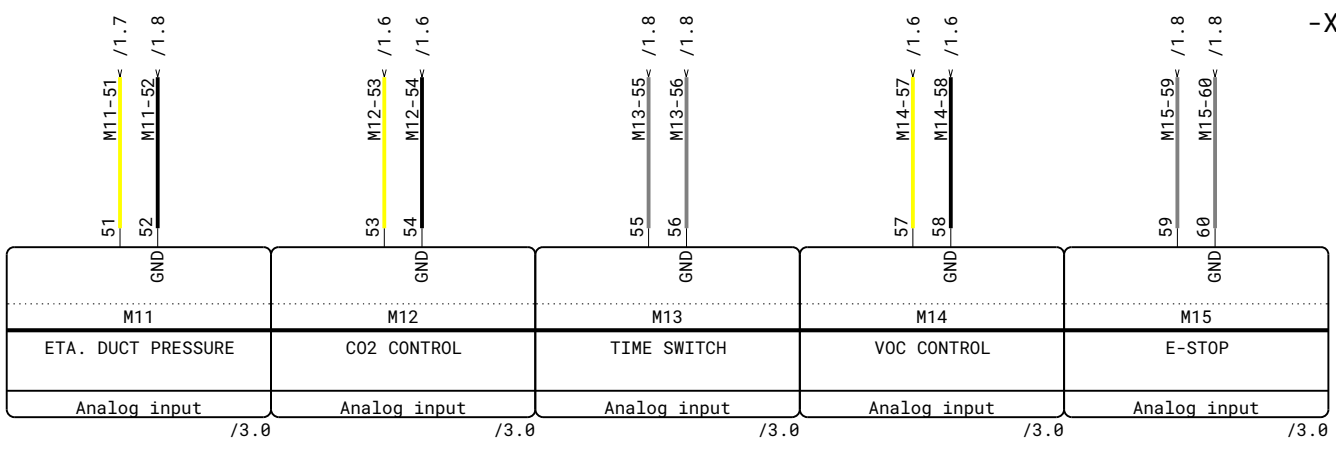
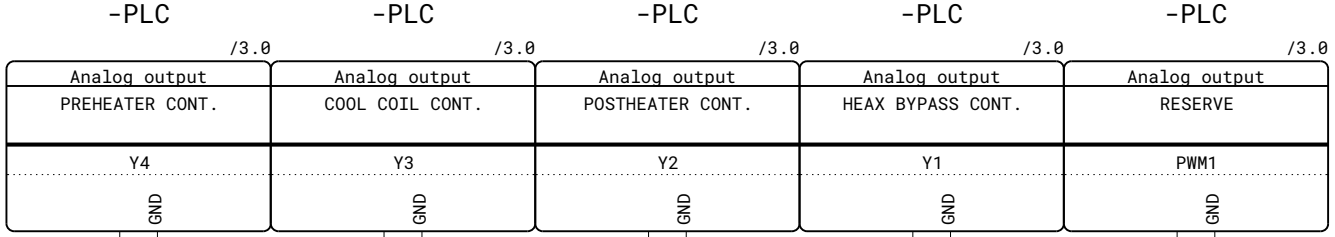
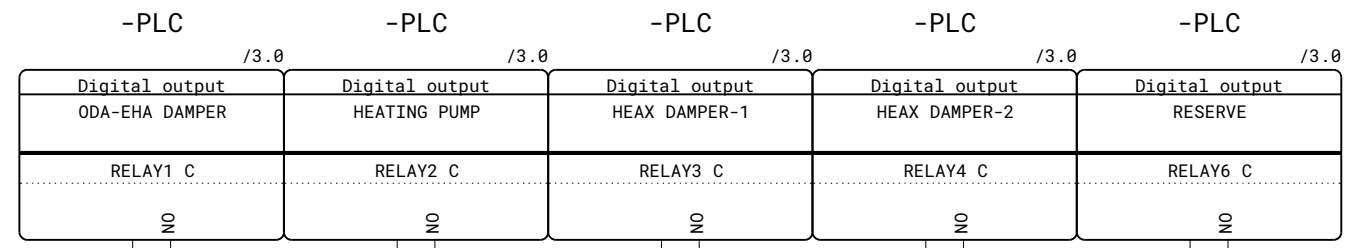
+AP /1.6 EAF-E1 66 WHITE  
 +AP /1.6 EAF-GND 67 WHITE  
 +AP /1.6 EAF-11 68 WHITE  
 +AP /1.6 EAF-14 69 WHITE  
 +AP /1.6 EAF-24V 70 WHITE  
 +AP /1.6 EAF-D1 71 WHITE  
 +AP /1.7 EAF-10V 72 WHITE

+AP /1.8 FAN-MOD\_A 73 BROWN MODBUS-A /1.3  
 +AP /1.8 FAN-MOD\_B 74 WHITE MODBUS-B /1.3

Status	Rev.	Date	Name	Date	Drawn by	Checked by	Standard
Section							
Project Name							Sheet current 2
VALLOX TX 900							
Drawing number							1 next 3 Total number 7
Scale							



21 M1 /3.0 ODA TEMP.	39 PWM1 /3.4 RESERVE	9 RELAY1 C /3.5 ODA-EHA DAMPER
22 GND	40 GND	10 NO
23 M2 /3.1 AFT. HEAX TEMP.	41 M6 /3.4 HEAT. COIL TEMP.	11 RELAY2 C /3.6 HEATING PUMP
24 GND	42 GND	12 NO
25 M3 /3.2 SUPPLY TEMP.	43 M7 /3.5 COOL. COIL TEMP.	13 RELAY3 C /3.7 HEAX DAMPER-1
26 GND	44 GND	14 NO
27 M4 /3.3 ETA TEMP.	45 M8 /3.6 ODA TEMP. DUCT	15 RELAY4 C /3.8 HEAX DAMPER-2
28 GND	46 GND	16 NO
29 M5 /3.4 EXH TEMP.	47 M9 /3.7 SUP. TEMP. DUCT	17 RELAY5 C
30 GND	48 GND	18 NO
31 Y4 /3.0 PREHEATER CONT.	49 M10 /3.8 SUP. DUCT PRESSURE	19 RELAY6 C /3.9 RESERVE
32 GND	50 GND	20 NO
33 Y3 /3.1 COOL COIL CONT.	51 M11 /3.5 ETA. DUCT PRESSURE	
34 GND	52 GND	
35 Y2 /3.2 POSTHEATER CONT.	53 M12 /3.6 CO2 CONTROL	
36 GND	54 GND	
37 Y1 /3.3 HEAX BYPASS CONT.	55 M13 /3.6 TIME SWITCH	
38 GND	56 GND	
	57 M14 /3.7 VOC CONTROL	
	58 GND	
	59 M15 /3.8 E-STOP	
	60 GND	



Status	Rev.	Date	Name	Date	Drawn by	Checked by	Standard	Project Name VALLOX TX 900	Sheet current 3 previous 2 next 4 Total number 7
Section								Drawing number	Scale

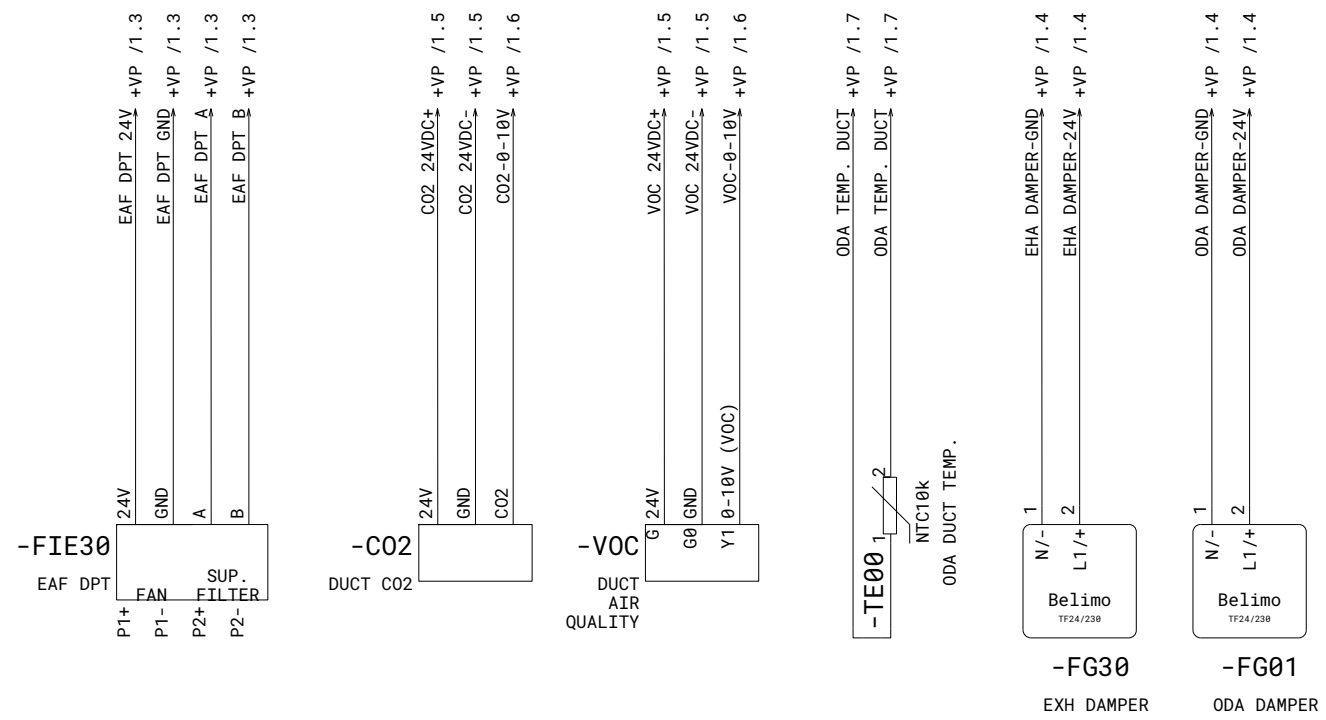






0 1 2 3 4 5 6 7 8 9

A  
B  
C  
D  
E  
F  
G  
H



Status	Rev.	Date	Name	Date	Drawn by	Checked by	Standard	Project Name		Sheet
								VALLOX TX 900		current 7
										previous 6
										next 7
Section								Drawing number	Scale	Total number 7

0 1 2 3 4 5 6 7 8 9