

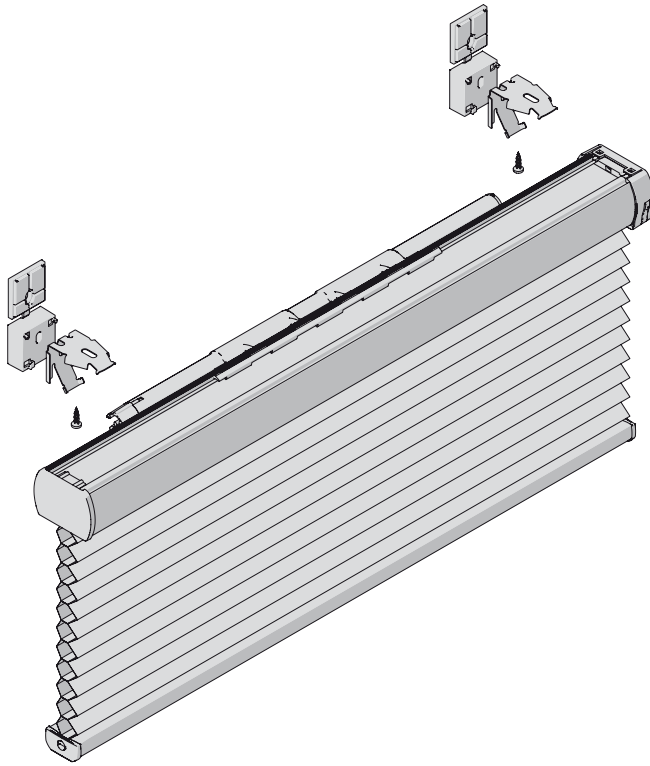
Installation TopFix / RecessFix [R1]

Do not damage the product when using a sharp knife to open the packaging! Fitting screws: Use a size-2 screwdriver (PO-ZIDRIVE) or use an electric screwdriver at it's lowest torque.

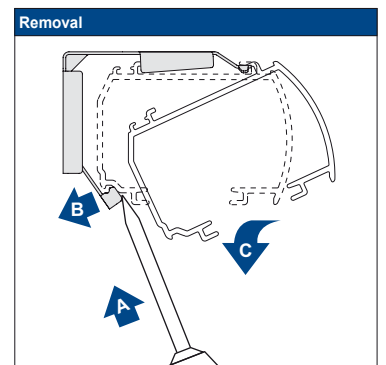
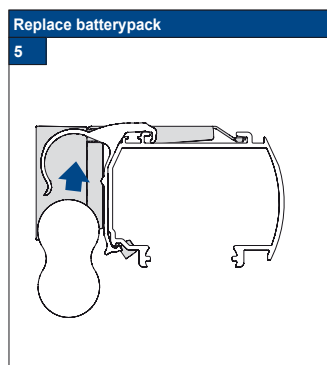
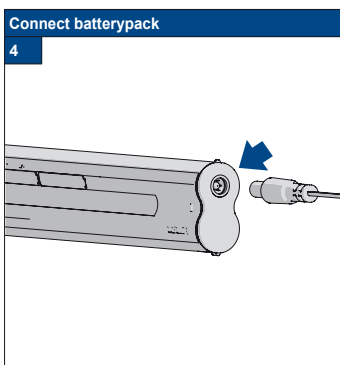
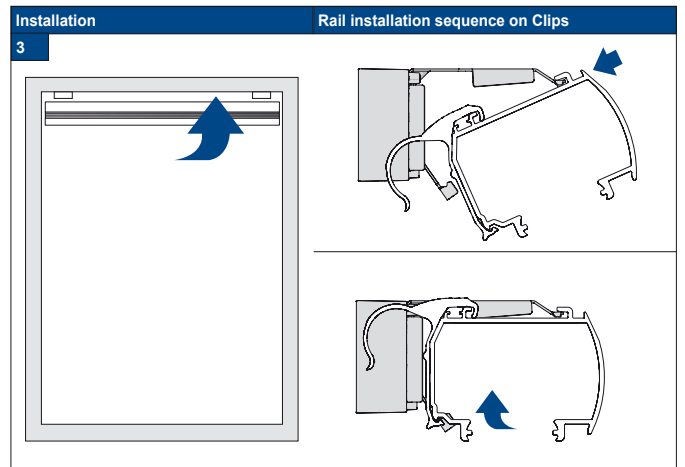
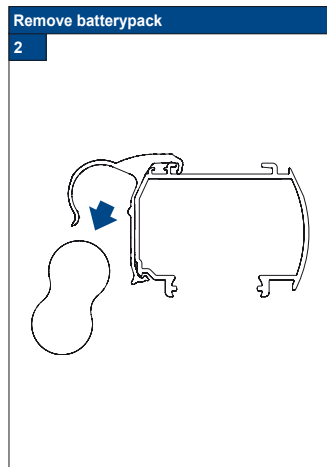
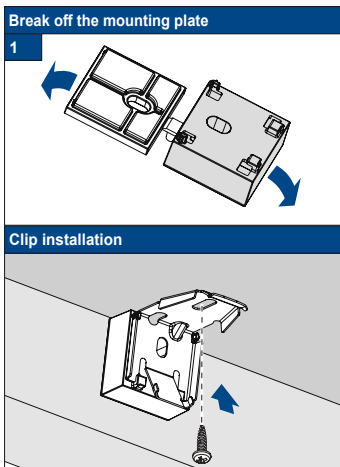
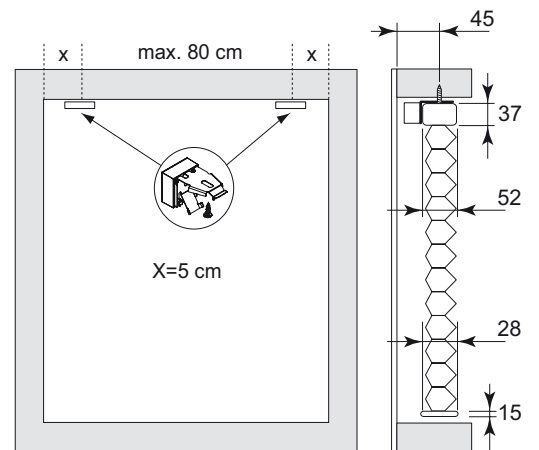
Rail removal: Use a flat screwdriver of max. 6 mm wide. Only

use the original screws enclosed, to prevent malfunctioning from using too thick screw heads!

Model
25/AA10



Product width	Number of parts		
30 - 90 cm	2	2	2
90 - 180 cm	3	3	3
180 - 240 cm	4	4	4



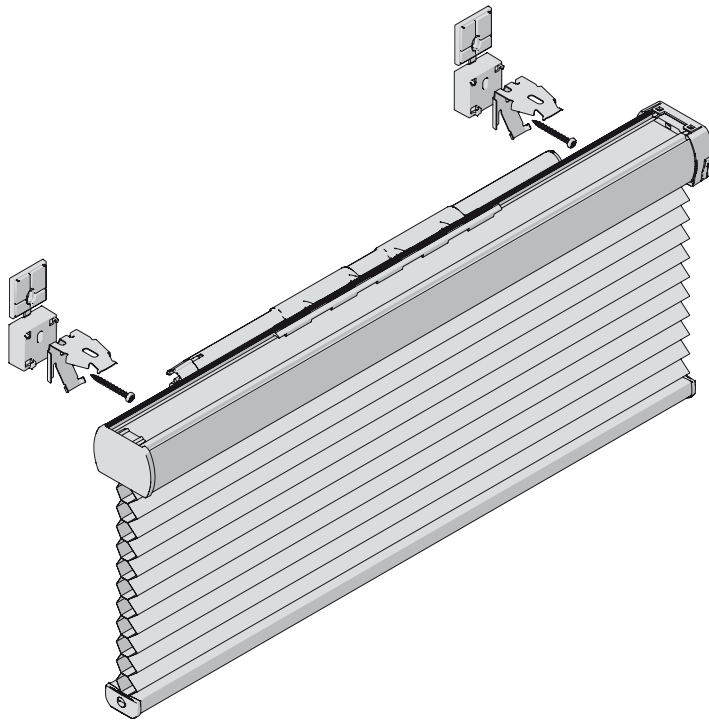
FaceFix installation to a window frame / wall [F1]

Do not damage the product when using a sharp knife to open the packaging! Fitting screws: Use a size-2 screwdriver (PO-ZIDRIVE) or use an electric screwdriver at it's lowest torque.

Rail removal: Use a flat screwdriver of max. 6 mm wide. Only

use the original screws enclosed, to prevent malfunctioning from using too thick screw heads!

Model
25/AA10



Product width	Number of parts		
30 - 90 cm	2	2	2
90 - 180 cm	3	3	3
180 - 240 cm	4	4	4

