

Carestream 9300

ELECTRICAL REQUIREMENTS

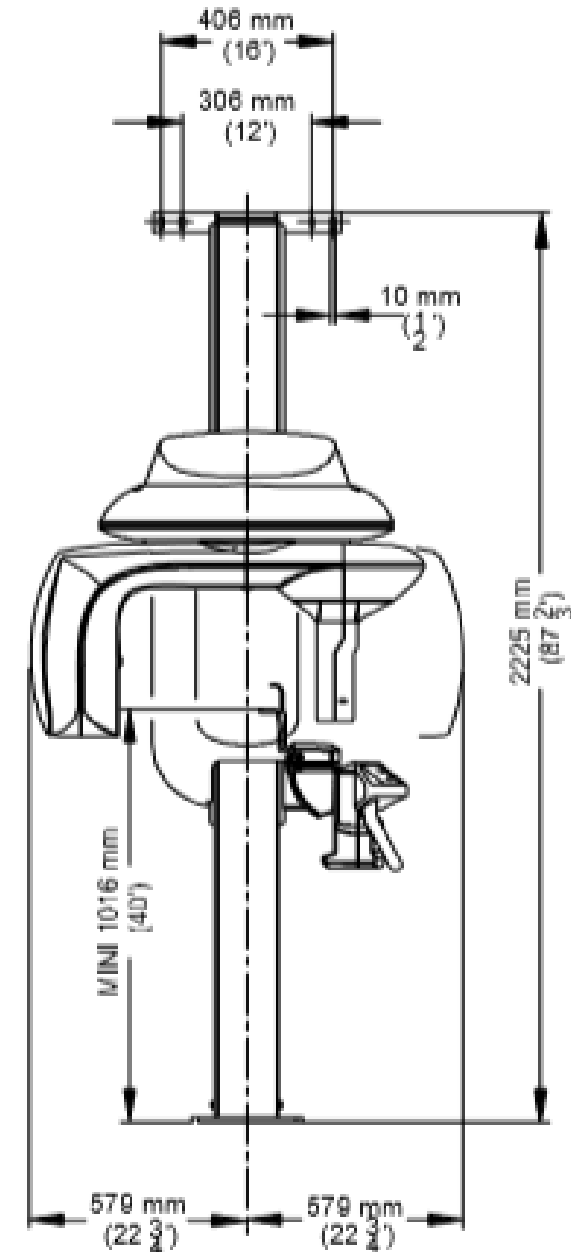
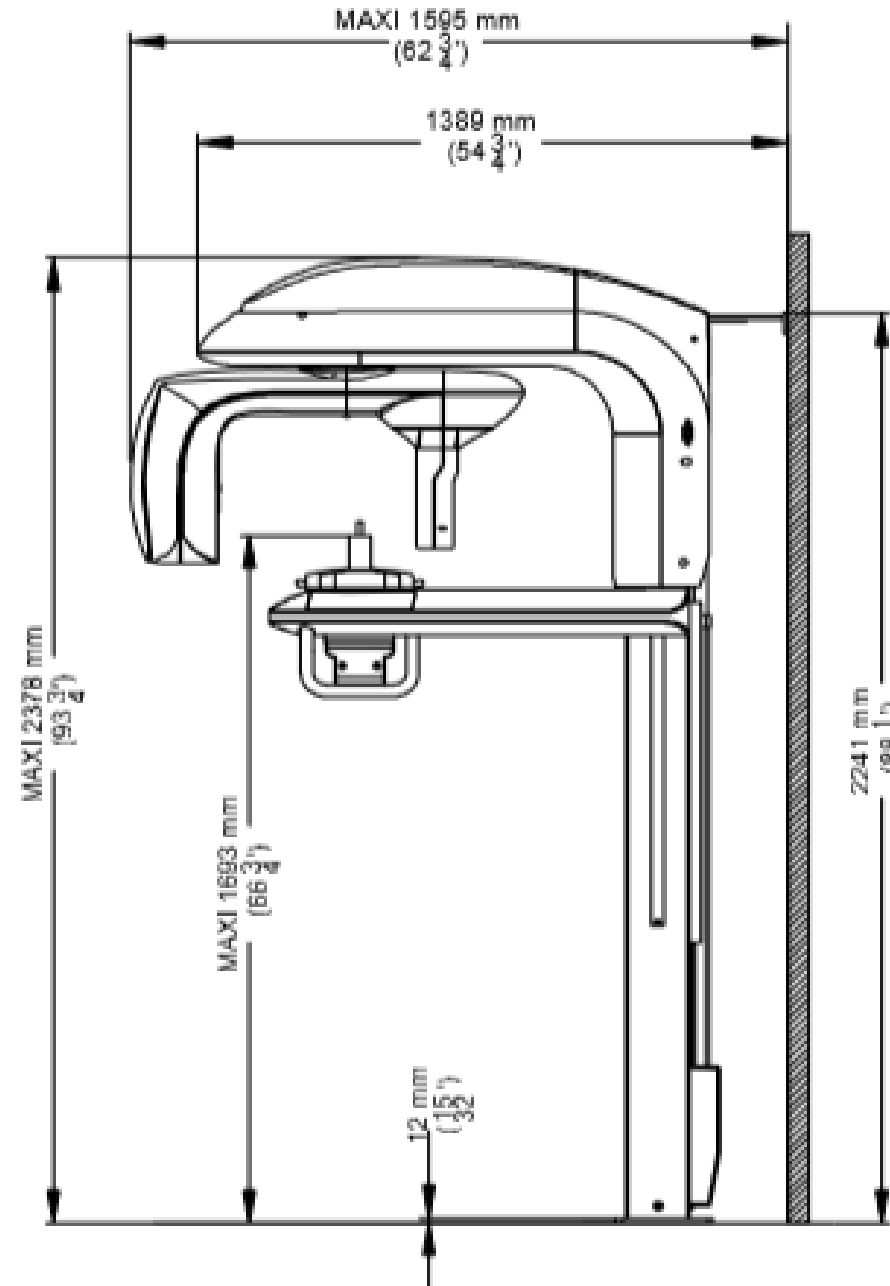
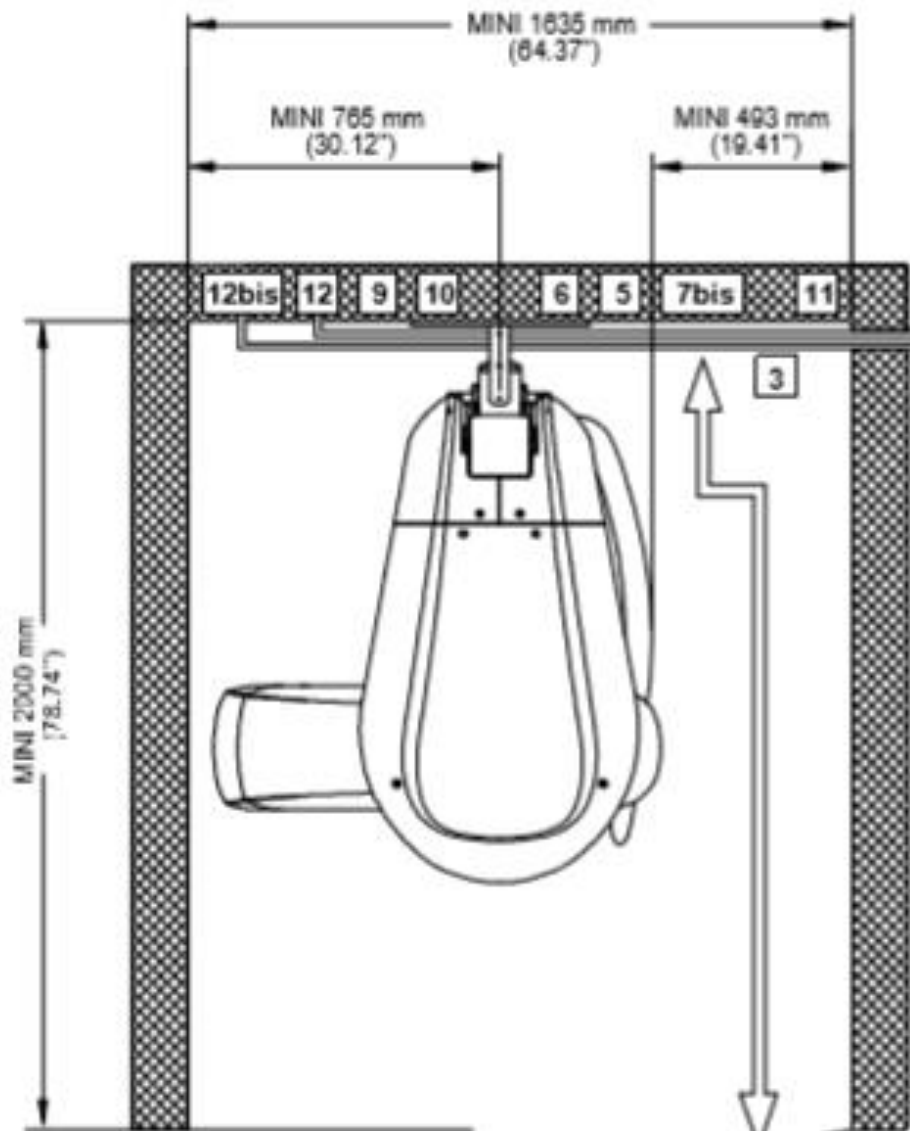
- Machine Power 230V-240V ($\pm 10\%$), 20 Amp dedicated circuit, (2 live, 1 ground wire) hardwired power supply is needed for the unit.

Verify that your electrical environment meets these standards



This is the 6-20R Nema Outlet that is needed for the plug that comes on the unit.

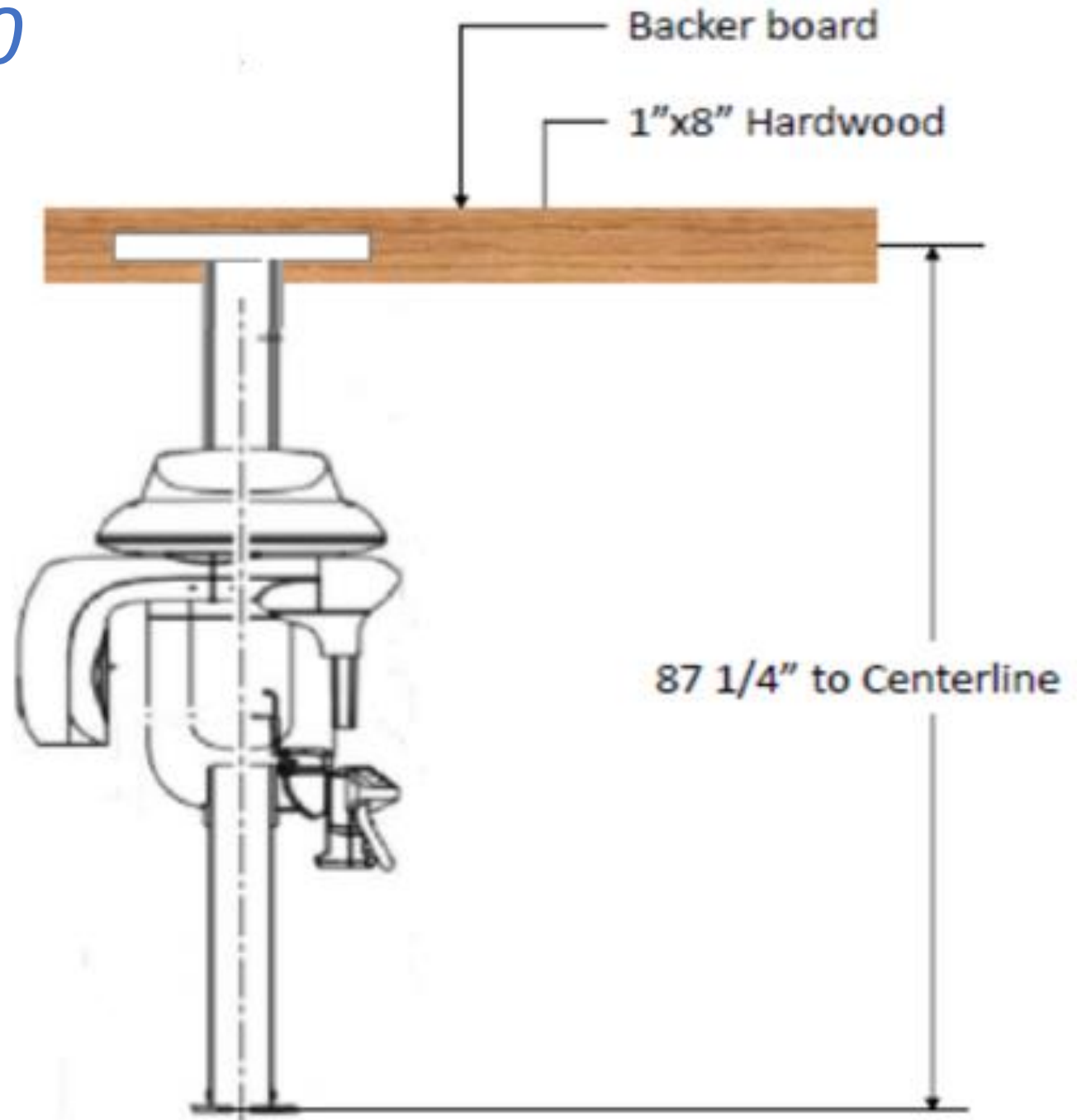
X-Ray Room space requirements



CARESTREAM 9300

Wall Attachment

- The unit is attached through a bracket with both 16 and 12 inch on center holes. However for best flexibility on unit placement or if walls do not have wood studs a backing board is needed.
- Backing board is 1" x 8" hard wood spanning the wall surface and is securely attached to wall supports.



CARESTREAM 9300

Typical Cabling

