

Orthoralix® 8500 / 8500 DDE



The Award-Winning Dream Machine.

- Cone Beam 3-D Imaging Systems
- ☐ Panoramic X-ray Systems
- Intraoral X-ray Systems
- Digital Intraoral Sensors
- Digital X-ray Phosphor Plates
- Intraoral Cameras
- Imaging Software

GENDEX®
Imaging Excellence Since 1893

Professionals deserve in-demand features for excellent image quality. The Gendex Orthoralix 8500 delivers with the latest technology – such as the ease of laser beam positioning, the precision of morphology following, multi-motorized arm rotation, and the benefits of a 0.4 mm focal spot for exceptional detail recognition. Plus, with the option of a film-based or direct digital unit, there is a version of the 8500 to fit your needs for today and as your practice grows.

At last, a high quality, low maintenance panoramic is no longer a dream.

➔ Award-Winning Design

- Medical Design Excellence Awards® recipient
- Motorized telescopic column makes the unit extremely compact
- Small footprint to fit into practices where space is an issue

➔ High End Technology

- Simple laser beam positioning for accuracy
- Precise morphology following and multi-motorized arm rotation
- 0.4 mm focal spot for sharper images

➔ Direct Digital Evolution

- Replaces panoramic film cassette with the latest CCD sensor technology
- Built-in LAN connectivity eliminates the need for a dedicated PC to acquire images
- Access digital radiographs from any PC on the network to save time

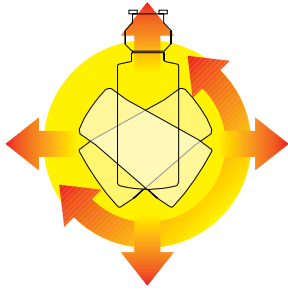
Orthoralix[®] 8500 / 8500 DDE



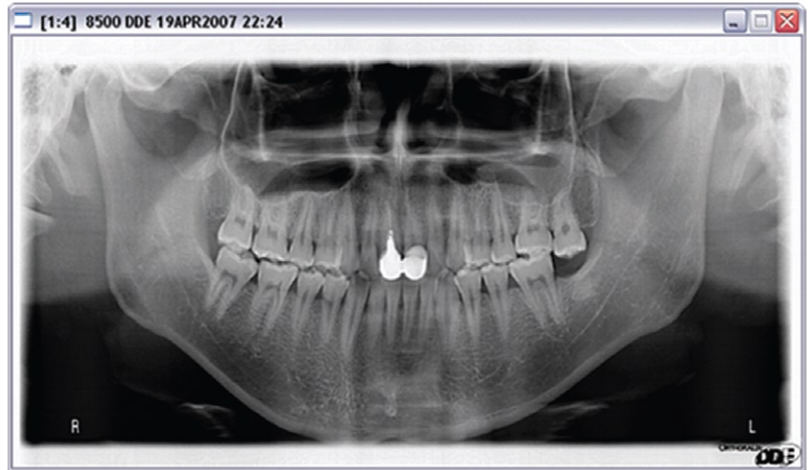
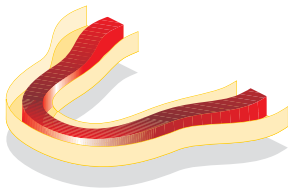
The contoured style of the 8500 and its motorized telescopic column make it a perfect fit for every practice

Award-Winning Design

The Gendex Orthoralix 8500 sports an award-winning, modern design that links outstanding functionality and ease of use with pleasing high-tech aesthetics that simply look good in any practice. Integration into your office is a breeze. The small footprint and motorized telescopic column lets you place the 8500 where you need it — even when space is an issue.



The precision of morphology following and multi-motorized arm rotation allows the 8500 to produce the best focal trough reconstruction.



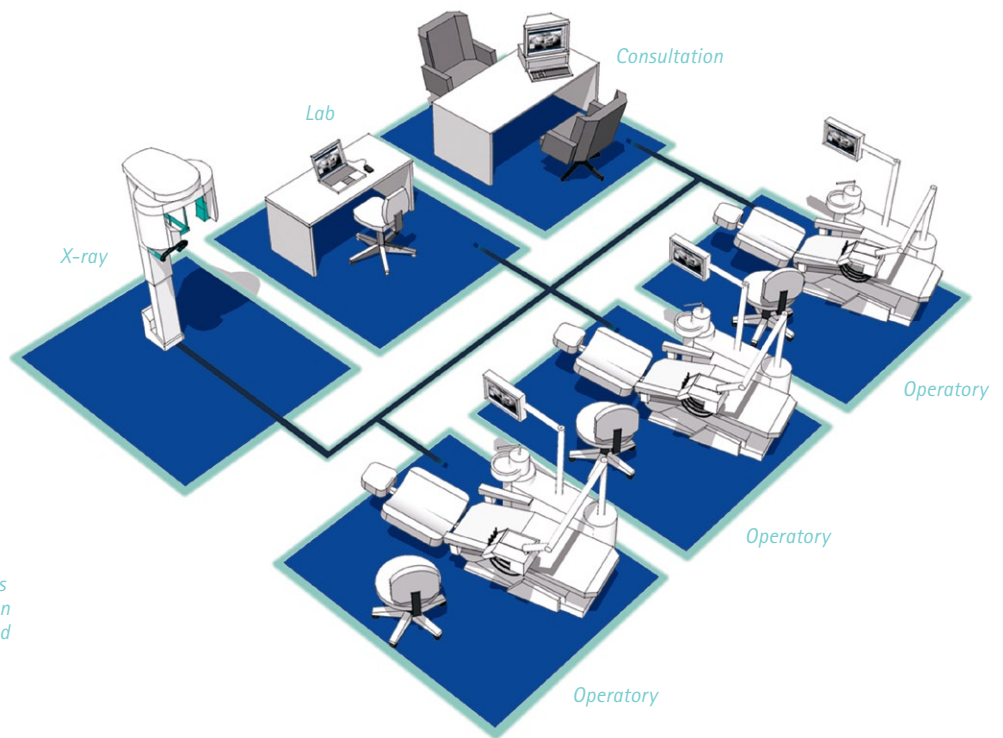
With its high frequency DC x-ray source and a 0.4 mm focal spot, the Orthoralix 8500 provides sharp detail recognition in critical areas for enhanced diagnostics.



Patient's are held in a stable and comfortable position via the lateral positioning devices, handgrip and integrated chin rest

High End Technology

Once the patient is accurately positioned with the triple laser beam system, the Orthoralix 8500 uses multi-motorized arm rotation that allows the x-ray generator to maneuver in a sophisticated path thus producing a more precise reproduction of the entire dento-maxillo-facial region. Throughout the exposure, magnification is kept constant for minimal distortion in radiographs in both film-based and direct digital models.



The Orthoralix 8500 DDE connects directly to your network so you can access images from any networked PC in the practice.



Access panoramic images from any networked PC in your practice with the Orthoralix 8500 DDE

Direct Digital Evolution

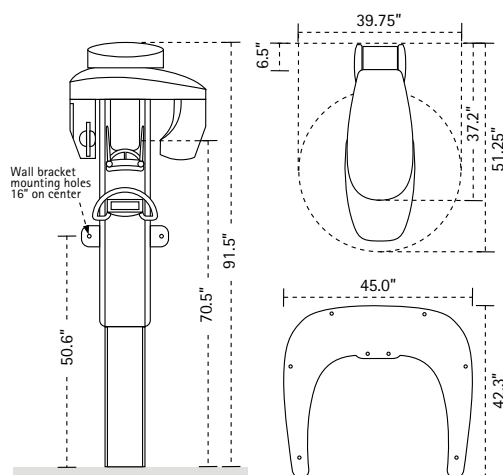
Featuring convenient built-in LAN connectivity, the Orthoralix 8500 DDE model hooks up to your network right out of the box without requiring a dedicated card to be installed into a PC. The panoramic film cassette is replaced by a CCD sensor that digitally captures the x-ray. This allows for instant access to images on any computer connected to the network in the practice, saving time and increasing efficiency and productivity.

Technical Specifications

Gendex Orthoralix® 8500 / 8500 DDE

kV	60 – 80 kV
mA	4 – 10 mA
Focal Spot	0.4 mm, IEC 60336 (1993)
Exposure Time	11 s for the child pan, 12 s for the standard pan
Line Voltage	115 V AC, 60 Hz or 250 V AC, 50 Hz
Maximum Line Power Rating	10 A at 250 V, 15 A at 115 V
Weight	254 lbs (115 kg)
Warranty	2 years

Unit Dimensions



Orthoralix 8500 Film-Based

Panoramic Cassette	Flat 6" x 12" (15 x 30 cm)
--------------------	----------------------------

Orthoralix 8500 DDE

CCD Sensor Resolution	10.4 lp/mm
CCD Sensor Pixel Size	48 µm
CCD Sensor Active Area	146 x 6 mm
Image Resolution	5.2 lp/mm
Image Pixel Size	96 µm
Image Size	1536 x 2725 pixels (Standard Pan)
Minimum PC Requirements	Pentium® II CPU, 400 MHz, 256 MB RAM
Required Operating System	Microsoft® Windows 98®/ Windows 2000®/ Windows XP®



Gendex Dental Systems
901 West Oakton Street
Des Plaines, IL 60018 U.S.A.
Tel 1-888-275-5286
www.gendex.com