

**GX DP-300™**

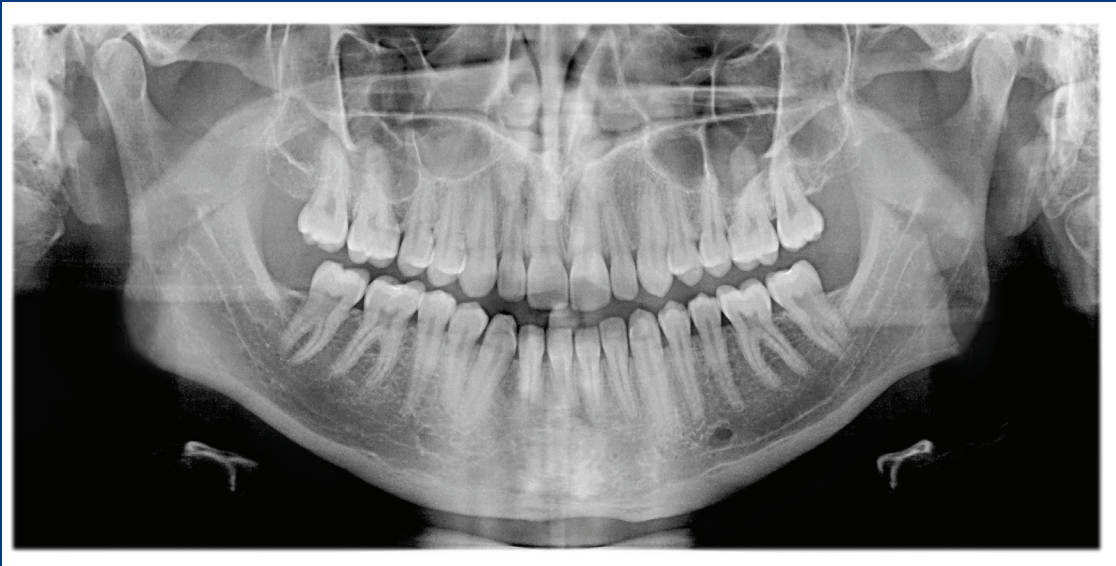


## Performance Meets Simplicity

- Cone Beam 3D Imaging Systems
- ☑ Panoramic X-ray Systems
- Intraoral X-ray Systems
- Digital Intraoral Sensors
- Digital X-ray Phosphor Plates
- Intraoral Cameras
- Imaging Software

**GENDEX™**  
*Always by your side*

**GX DP-300™**





## One look at the GXDP-300 and it's clear that our focus is you.

Image quality, performance, reliability, and affordability... leave it to Gendex to create a digital panoramic system with you in mind. The GXDP-300 incorporates the features you are looking for: the most commonly-used imaging modes; a simple, three-step process; and a sleek, compact body design that's built for long life. With the GXDP-300 panoramic X-ray system, you get exactly what your practice needs for diagnostic efficiency and improved office productivity – great-looking images at a competitive price.

**It's time to take a good look at what a Gendex digital panoramic system can do for you!**

### ➤ Good For Your Image

- High-quality images meet diagnostic demands
- Bitewing view comes standard along with Adult and Child Panoramic and TMJ projections
- FOX™ (Focus Optimized X-ray) technology increases the depth-of-field for optimized radiographic image clarity

### ➤ Good For Your Team

- Simple three-step operation – choose the projection, select the patient size, take the pan
- EasyPosition™ system stabilizes patient for clear, consistent images in a short amount of time
- Large LCD touchscreen interface makes program selection intuitive

### ➤ Good For Your Office

- Modern design in a compact footprint is an attractive addition into any practice
- Engineering excellence and attentive customer support provide dependable operation
- Integrates easily into the office network





5.7" touchscreen LCD  
for easy operation

## Enhance Efficiency With Easy-to-Use Features

Count on over 100 years of Gendex imaging expertise, and an award-winning lineage of design success, to help you achieve your digital panoramic capabilities. We've incorporated many details into one affordable package. Thoughtfully developed features, proven technology, and functionally stylistic design create a system that's ready to provide your practice with great images for many years to come.

# FOX

Focus Optimized X-ray

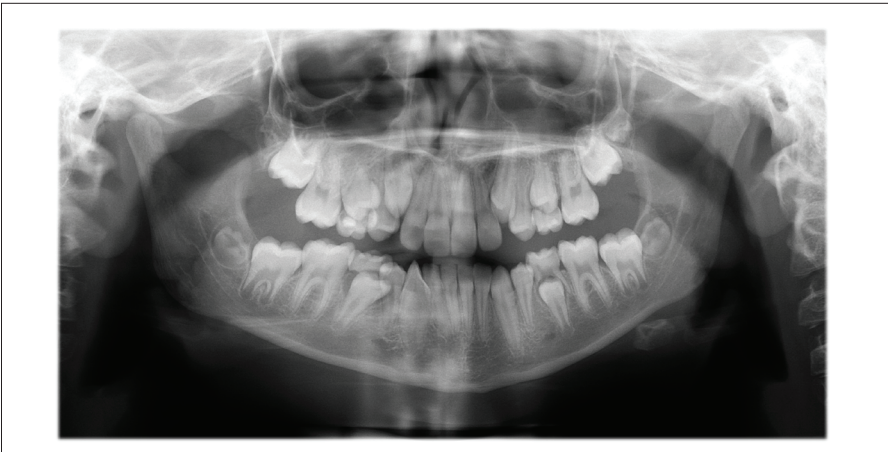
*FOX™ technology compensates for malocclusion in anterior by deepening the focal trough throughout the canine-to-canine area*

# Comprehensive Views, Clear and Sharp

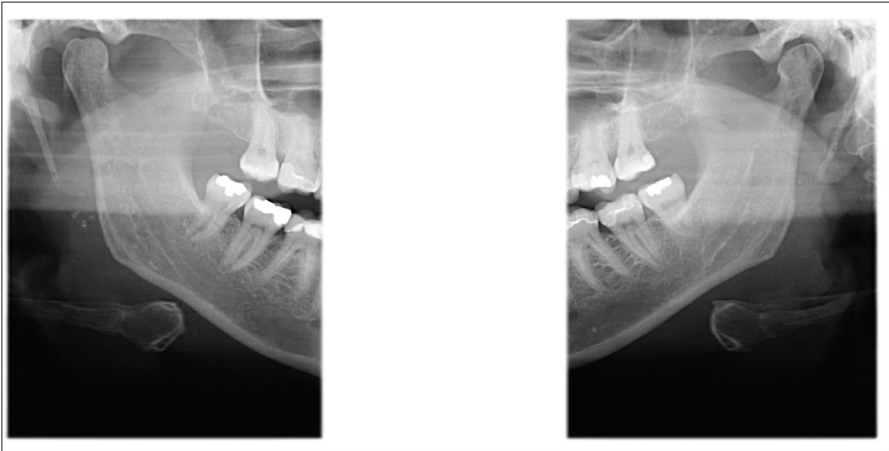
Better diagnostics with panoramic imaging begins with accurate, clear views of the patient's anatomy. The GXDP-300 features proprietary FOX™ technology to capture well-defined, high-quality images – in an instant – with consistent magnification and image uniformity. Utilize VixWin™ Platinum with its powerful imaging tools to advance diagnostic capabilities and accelerate workflow; or view images in a variety of imaging software programs employing GxTWAIN interface.



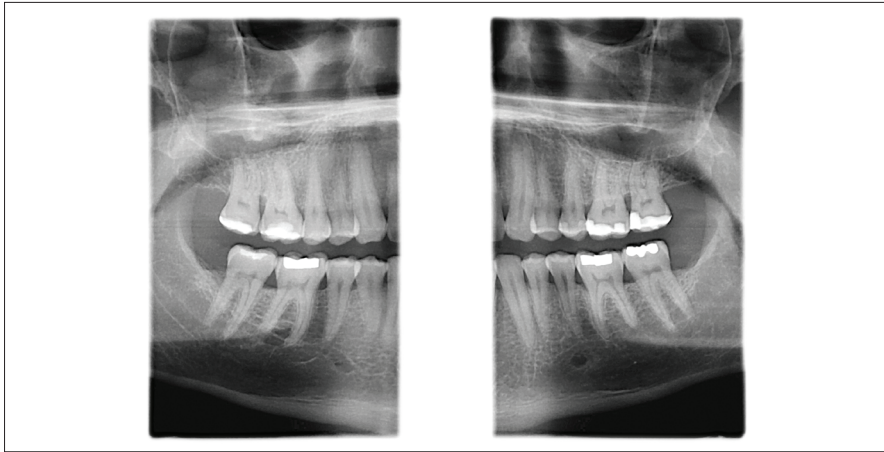
Standard Adult Panoramic



Child Panoramic



TMJ



### Bitewing

Patients who are unable to tolerate intraoral bitewings will appreciate the less invasive, more comfortable bitewing feature. With the GXDP-300, the bitewing view comes standard along with Adult and Child Panoramic and TMJ projections.







*Column controls for easy patient height adjustment*



*Chin rest with adaptable anterior position adjustment*

## Positioned for Success

The EasyPosition™ system and instructive alignment guides appropriately place and stabilize patients of all sizes, including those needing wheelchair accessibility, to reduce movement and optimize accuracy.

Complete your patient scans in just a few simple steps: using the touchscreen control panel, select the imaging projection, choose the appropriate patient size, and take the scan. It's truly that fast and easy!



*Unique head support holds the patient stable to reduce movement*



*Ergonomically designed handgrips help enhance patient comfort*



*Laser alignment lights accurately guide patient positioning*

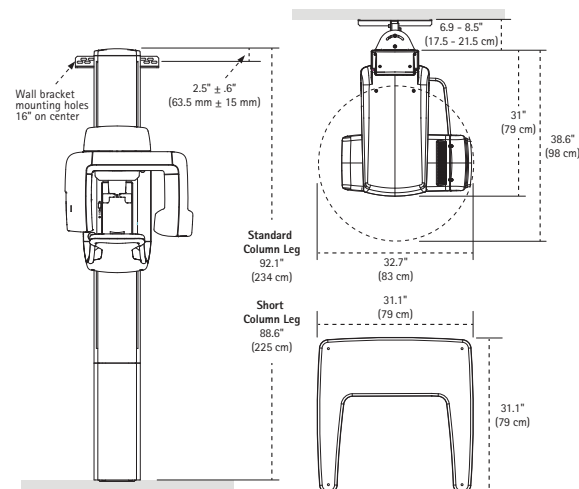
# Technical Specifications

## Gendex GXDP-300™ Digital Panoramic X-ray System

<b>Anode Voltage</b>	66, 70, 73 kV and 77 kV ( $\pm 4$ kV)
<b>Anode Current</b>	10 mA ( $\pm 1$ mA)
<b>Interface</b>	10/100 with 1 GB Compliant Ethernet
<b>Focal Spot</b>	0.5 mm, IEC 60336 (1993)
<b>Exposure Time</b>	10.6 sec. for child pan, 12 sec. for standard pan, 5 sec. for TMJ, 6 sec. for Bitewing
<b>Image Pixel Size</b>	96 $\mu$ m
<b>Active Sensor Surface</b>	147.5 x 6.1 mm
<b>Line Voltage</b>	100-120 VAC / 220-240 VAC, 50/60 Hz
<b>Maximum Line Fusing</b>	16 A 100-120 V 10 A 200-240 V
<b>Weight</b>	265 lbs (120 kg)
<b>Warranty</b>	2 years

The Gendex GXDP-300 is a Class I Laser Product and complies with FDA performance standards for laser products except for deviations pursuant to Laser Notice No. 50, dated June 24, 2007. Laser radiation is emitted during positioning (Wavelength: 650nm, Output Power  $\leq 1$ mW) and users and patients should not stare into the beam.

## Unit Dimensions



PC Requirements	Minimum	Recommended
<b>Operating System</b>	Microsoft® Windows® XP with service pack SP3	Microsoft® Windows® 7 Professional 64 bit
<b>Processor</b>	Intel Celeron® M 1.6 GHz	Intel® Core™ i5-3330 3.2 GHz
<b>Memory</b>	2 GB	4 GB
<b>Hard Disk</b>	250 GB	500 GB
<b>Display Settings</b>	1024 x 768 at 32 bit true color	1280 x 1024 at 32 bit true color
<b>Video Memory</b>	1 GB	2 GB
<b>Ethernet Port</b>	10/100 with 1 GB Compliant	
<b>Driver</b>	GxPicture 3.3 or higher	GxPicture 3.4 or higher
<b>Standards</b>	In compliance with the UL/IEC/EN 60950 standard	

Microsoft®, Windows®, Intel® and Celeron® are trademarks of their respective owners.



**Gendex Dental Systems**  
1910 North Penn Road  
Hatfield, PA 19440 USA  
Tel 1-800-323-8029  
www.gendex.com

Scan here for more information

