



**CONNECT AND PROTECT**

# **HOFFMAN on Demand Specifier's Guide**

**Quick Ship Program**

**FULL PRODUCT RANGE.  
LOCALLY AVAILABLE NOW!**

[hoffman.nvent.com/hod](http://hoffman.nvent.com/hod)

  
**nvent**

**HOFFMAN**

# One nVent

Explore nVent — backed by more than 100 years of excellence — at [nVent.com](http://nVent.com)



Welcome to the future of connection and protection

The Hoffman-on-Demand Specifier's Guide, Volume 1, is published by Hoffman Enclosures Inc., 2100 Hoffman Way, Anoka, MN 55303. Extracts from this literature may be copied or reproduced only with prior approval from Hoffman's Marketing Communications Department by emailing [info@nvent.com](mailto:info@nvent.com) and if the originator is credited. Hoffman's policy is to continually develop and improve products. The company reserves the right to change product detail and technical specifications. We cannot accept any liability for publication errors and omissions.

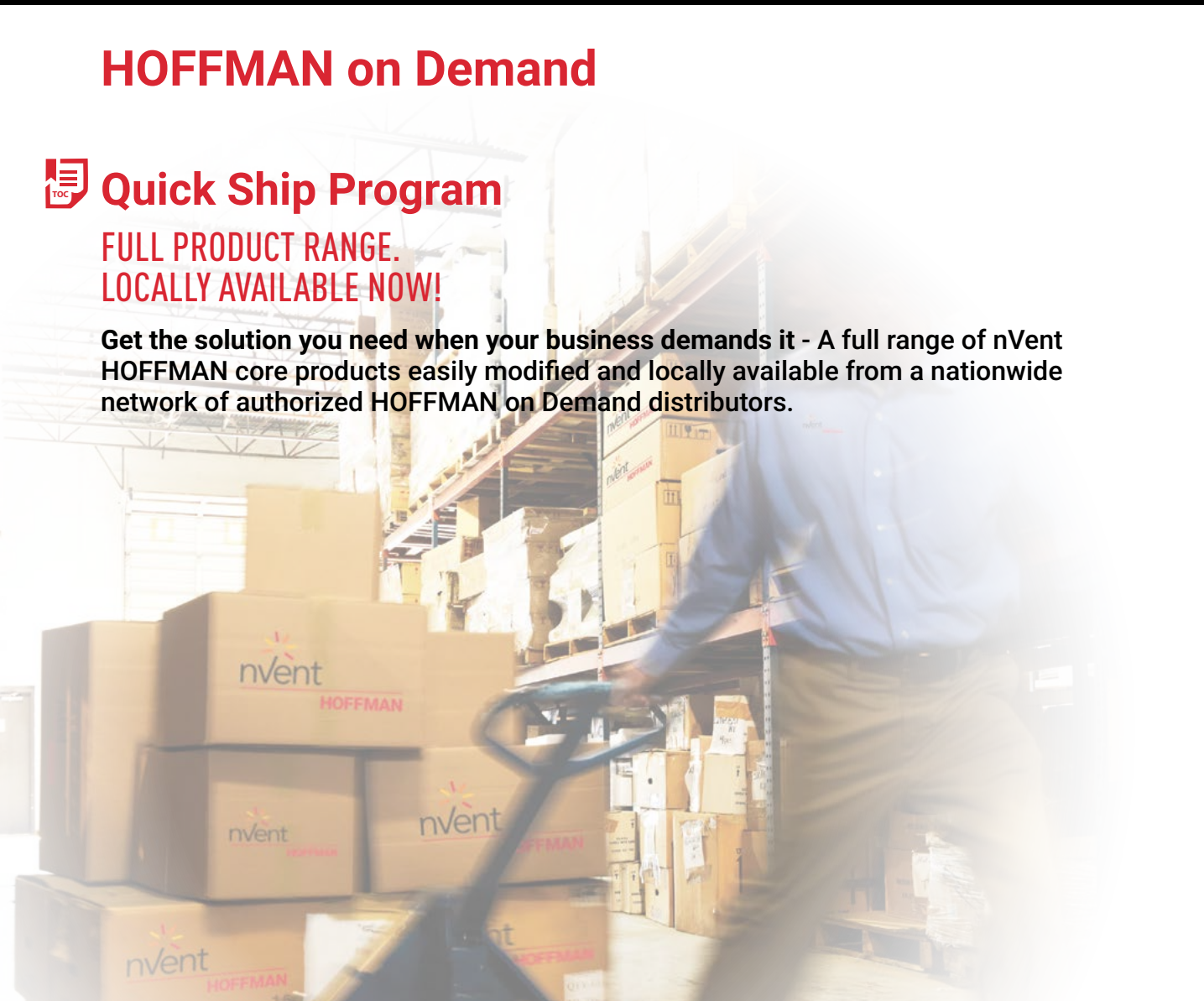
Subject to change without notice. Phone 763-422-2211 [nVent.com/hoffman](http://nVent.com/hoffman) © 2019 Hoffman Enclosures Inc.

# HOFFMAN on Demand

## Quick Ship Program

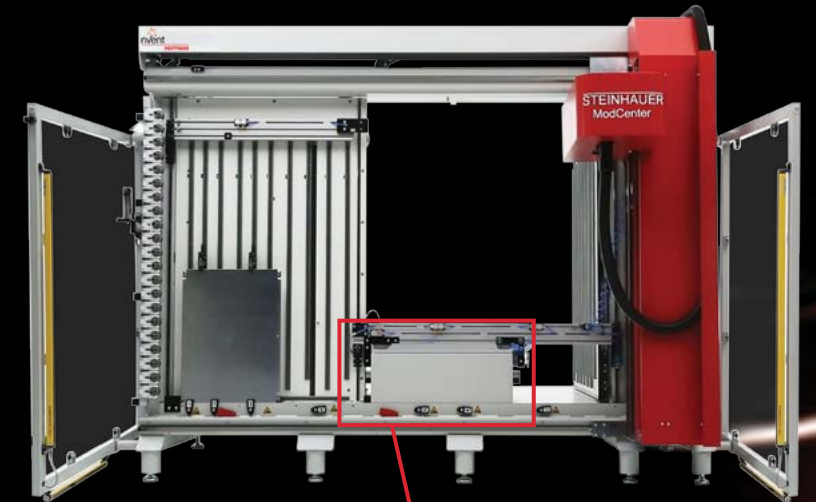
**FULL PRODUCT RANGE.  
LOCALLY AVAILABLE NOW!**

Get the solution you need when your business demands it - A full range of nVent HOFFMAN core products easily modified and locally available from a nationwide network of authorized HOFFMAN on Demand distributors.



For the most recent items list and authorized HOFFMAN on Demand distributors, please visit:

[hoffman.nvent.com/hod](http://hoffman.nvent.com/hod)



Get modified enclosures in **1-3 Days\***



**STOP WASTING TIME MAKING HOLES AND CUTOUTS MANUALLY!**

*\*Actual delivery times may vary based on location.*

## TAKE ADVANTAGE OF RAPID, LOCALLY MODIFIED ENCLOSURES

In addition to faster local availability of HOFFMAN on Demand standard products, enjoy pre-modified enclosures and back panels in as little as one day. Eliminate manual holes and cutouts so you can focus on integrating and delivering control solutions to your customers.

Please visit [hoffman.nvent.com](http://hoffman.nvent.com) for the entire HOFFMAN breadth of 15,000 products.

# Product Selection Quick Reference

# Product Selection Quick Reference



Most Common Type Ratings	Pushbutton	Junction Box (up to 16 x 14)	Wall Mount (16 x 16 to 60 x 36)	Free Stand and Floor Mount (60 x 48 and Larger)		Modular Enclosure Solutions	HMI (Human-Machine Interface)	Industrial Wireway	Thermal Management
12	Pushbutton Enclosures, Type 12, page 18	Continuous Hinge with Clamps, Type 12, page 15 Screw Cover, Type 12, page 16	Concept Two-Door, Type 12, page 11 Continuous Hinge with Clamps LP, Type 12, page 11 Continuous Hinge Two-Door with Handle, Type 12, page 12 Wall-Mount Disconnect Enclosure With Handle, Type 12, page 13 Mild Steel Sequestr External Disconnect Enclosure, Type 12, page 14	Free-Stand, Type 12, Single or Dual Access, page 30 Heavy-Duty Free-Stand Disconnect Enclosure, Type 12, page 31 Modular Disconnect Enclosure, Type 12, page 32 Two-Door with Floor Stands and 3-Point Latch, Type 12, page 34 Two-Door with Floor Stands Disconnect Enclosure, Type 12, page 33		Industrial Packages, Type 12, page 40	Mild Steel Consoles, page 54 Syspend 180-Max Suspension System, Type 12, page 55 Syspend 281-Max Suspension System, Type 12, page 64	Lay-In Wireway, NEMA Type 12, page 78	SpectraCool Compact Indoor, page 95
	4	Extra-Deep Pushbutton Enclosures, Type 4, page 18	Continuous Hinge with Clamps, Type 4, page 15 Continuous Hinge with Quarter-Turn Latch, Type 4, page 16 Screw Cover, Contoured, Type 4, page 17	Concept Single-Door, Type 4 and 12, page 10 Continuous Hinge with Clamps LP, Type 4, page 12 Continuous Hinge with 3-Point Latch, Type 4, page 12 Concept Disconnect Enclosure, Type 4, page 13	Free-Stand, Type 4 with 3-Point Latch, page 32 Free-Stand Disconnect with Quick-Release Continuous Hinge, Type 4, page 30 Two-Door with Floor Stands and 3-Point Latch, Type 4, page 34		Concept HMI, Type 4, page 52		SpectraCool Indoor, page 94 SpectraCool Narrow Indoor, page 95 T-Series Compact Outdoor, page 96
	4X	30.5-mm and 22.5-mm Pushbutton Enclosures, Type 4X, page 23	Continuous-Hinge with Clamps, Type 4X, page 22 Continuous Hinge, Type 4X, page 24 PolyPro, Type 4X, page 26 Qline D, Type 4X, page 26	Concept, Type 4X, page 19 Continuous Hinge with Clamps LP, Type 4X, page 20 Continuous Hinge with 3-Point Latch, Type 4X, page 21 HOFFMAN Watershed, Type 4X, page 21 Hinge-Cover with Quick-Release Latches, Type 4X, page 24	Free-Stand, Type 4X, Single and Dual Access, page 37 Two-Door with 3-Point Latches, Type 4X, page 36				

## Total Enclosure Solutions

### HOFFMAN PROVIDES EQUIPMENT PROTECTION SOLUTIONS

With more than 70 years of experience, extensive technical expertise, and a vast distribution network, Hoffman is recognized as an industry leader providing a broad range of standard, modified and custom enclosure solutions, serving customers worldwide.



Hoffman’s vertical market strategy aligns subject matter experts in various industries with product managers, engineering and manufacturing resources. This alignment supports development of equipment protection products that meet particular industry needs.

#### WHY HOFFMAN?

- Built to global standards
- Global availability
- Commitment to quality
- Largest selection of standard products
- Modifications to meet your needs
- Custom fabrication
- Unparalleled service and expertise
- Comprehensive testing
- Application-specific solutions



### TABLE OF CONTENTS

WALL-MOUNT ENCLOSURES . . . . .	8
FREE-STAND AND FLOOR-MOUNT ENCLOSURES . . . . .	28
MODULAR ENCLOSURE SOLUTIONS . . . . .	38
HMI (HUMAN -MACHINE INTERFACE) . . . . .	50
INDUSTRIAL WIREWAY . . . . .	76
ACCESSORIES . . . . .	82
THERMAL MANAGEMENT . . . . .	92
INDEX. . . . .	100





## CHAPTER CONTENT

### MILD STEEL ..... 10



#### Wall-Mount Enclosures

- Concept Single-Door, Type 4 and 12 ..... 10
- Concept Two-Door, Type 12 ..... 11
- Continuous Hinge with Clamps LP, Type 12 ..... 11
- Continuous Hinge Two-Door with Handle, Type 12 ..... 12
- Continuous Hinge with Clamps LP, Type 4 ..... 12
- Continuous Hinge with 3-Point Latch, Type 4 ..... 12

#### Disconnect Enclosures

- Concept Disconnect Enclosure, Type 4 ..... 13
- Wall-Mount Disconnect Enclosure With Handle, Type 12 ..... 13
- Mild Steel Sequestr External Disconnect Enclosure, Type 12 ..... 14

#### Junction Boxes

- Continuous Hinge with Clamps, Type 12 ..... 15
- Continuous Hinge with Clamps, Type 4 ..... 15
- Continuous Hinge with Quarter-Turn Latch, Type 4 ..... 16
- Screw Cover, Type 12 ..... 16
- Screw Cover, Contoured, Type 4 ..... 17

#### Pushbutton Enclosures

- Pushbutton Enclosures, Type 12 ..... 18
- Extra-Deep Pushbutton Enclosures, Type 4 ..... 18

### STAINLESS STEEL ..... 19

#### Wall-Mount Enclosures

- Concept, Type 4X ..... 19
- Continuous Hinge with Clamps LP, Type 4X ..... 20
- Continuous Hinge with 3-Point Latch, Type 4X ..... 21
- HOFFMAN Watershed, Type 4X ..... 21

#### Junction Boxes

- Continuous-Hinge with Clamps, Type 4X ..... 22

#### Pushbutton Enclosures

- 30.5-mm and 22.5-mm Pushbutton Enclosures, Type 4X ..... 23

### NON-METALLIC ..... 24

#### Fiberglass

- Continuous Hinge, Type 4X ..... 24
- Hinge-Cover with Quick-Release Latches, Type 4X ..... 24

#### Polyester

- PolyPro, Type 4X ..... 26
- Qline D, Type 4X ..... 26
- Qline D Pushbutton, Type 4X ..... 27



## CHAPTER 1 WALL-MOUNT ENCLOSURES



### Concept Enclosures

Concept Enclosures are ideal for machine control applications. With streamlined styling, flush quarter-turn latches and an attractive, durable finish.



### Continuous Hinge with Clamps, Type 4X

These enclosures combine a rugged continuous hinge, seamless foam-in-place gasket and stainless steel screw-down clamps for a reliable seal that protects components from corrosive environments.

## HOFFMAN on Demand

Please visit [hoffman.nvent.com](http://hoffman.nvent.com) for the entire HOFFMAN breadth of 15,000 products.

CONCEPT SINGLE-DOOR, TYPE 4 AND 12



1

**INDUSTRY STANDARDS**

Wall-mounting brackets required to maintain UL/CSA external mounting requirement.

UL 508A Listed; Type 4, 12; File No. E61997  
cUL Listed per CSA C22.2 No. 94; Type 4, 12; File No. E61997

NEMA/EEMAC Type 4, 12, 13  
CSA, File No. 42186; Type 4, 12  
VDE IP66  
IEC 60529, IP66

**APPLICATION**

Concept Enclosures are ideal for machine control applications. With streamlined styling, flush quarter-turn latches and an attractive, durable finish.

BULLETIN: CW1

Catalog Number	Height (in.)	Width (in.)	Depth (in.)	Panel
CSD12126	12	12	6	CP1212
CSD16126	16	12	6	CP1612
CSD16166	16	16	6	CP1616
CSD20206	20	20	6	CP2020
CSD16128	16	12	8	CP1612
CSD16168	16	16	8	CP1616
CSD20168	20	16	8	CP2016
CSD20208	20	20	8	CP2020
CSD24168	24	16	8	CP2416
CSD24208	24	20	8	CP2420
CSD24248	24	24	8	CP2424
CSD30208	30	20	8	CP3020
CSD30248	30	24	8	CP3024
CSD30308	30	30	8	CP3030
CSD36248	36	24	8	CP3624
CSD36308	36	30	8	CP3630
CSD36368	36	30	8	CP3636
CSD423610	42	36	10	CP4236
CSD483610	48	36	10	CP4836
CSD202012	20	20	12	CP2020
CSD242012	24	20	12	CP2420
CSD242412	24	24	12	CP2424
CSD302412	30	24	12	CP3024
CSD303012	30	30	12	CP3030
CSD362412	36	24	12	CP3624
CSD363012	36	30	12	CP3630
CSD363612	36	36	12	CP3636
CSD423012	42	30	12	CP4230
CSD423612	42	36	12	CP4236
CSD483612	48	36	12	CP4836
CSD603612	60	36	12	CP6036
CSD363016	36	30	16	CP3630
CSD483016	48	30	16	CP3048
CSD483616	48	36	16	CP4836
CSD603616	60	36	16	CP6036

CONCEPT TWO-DOOR, TYPE 12



**INDUSTRY STANDARDS**

Wall-mounting brackets required to maintain UL/CSA external mounting requirement.

UL 508A Listed; Type 12; File No. E61997  
cUL Listed per CSA C22.2 No. 94; Type 12; File No. E61997

NEMA/EEMAC Type 12  
CSA, File No. 42186; Type 12  
VDE IP 55  
IEC 60529, IP55

CONTINUOUS HINGE WITH CLAMPS LP, TYPE 12



**INDUSTRY STANDARDS**

UL 508A Listed; Type 12, 13; File No. E61997  
cUL Listed per CSA C22.2 No. 94; Type 12, 13; File No. E61997

NEMA/EEMAC Type 12 and 13  
CSA, File No. 42186; Type 12  
IEC 60529, IP65

**APPLICATION**

For applications requiring a bright white interior to increase control visibility, this enclosure includes a padlocking hasp and staple for security and screw-down clamps for secure closure.

BULLETIN: A12

**APPLICATION**

Concept Enclosures are ideal for machine control applications. With streamlined styling, flush quarter-turn latches and an attractive, durable finish. Two-door landscape models provide full-width access and easy panel installation.

BULLETIN: CW1

Catalog Number	Height (in.)	Width (in.)	Depth (in.)	Panel
CTD24428	24	42	28	CP2442
CTD306012	30	60	12	CP3060
CTD364812	36	48	12	CP4836
CTD366012	36	60	12	CP6036



1

**CONTINUOUS HINGE TWO-DOOR WITH HANDLE, TYPE 12**



**APPLICATION**

Ideal for larger wall-mount applications requiring ease of installation and access to full-width internal panel. Overlapping door design allows easy access in areas with minimal aisle space.

**BULLETIN: A12**

Catalog Number	Height (in.)	Width (in.)	Depth (in.)	Panel
A244208WFLP	24	42	8	A42P24
A304210WFLP	30	42	10	A42P30
A364212WFLP	36	42	12	A42P36
A426012WFALP	42	60	12	A60BFP42
A484812WFLP	48	48	12	A48P48

**INDUSTRY STANDARDS**

UL 508A Listed; Type 12; File No. E61997  
cUL Listed per CSA C22.2 No. 94; Type 12; File No. E61997

NEMA/EEMAC Type 12  
CSA, File No. 42186: Type 12  
IEC 60529, IP55

**CONTINUOUS HINGE WITH CLAMPS LP, TYPE 4**



**APPLICATION**

These single-door enclosures feature a hinged door with clamps on three sides to create a secure seal in indoor or outdoor environments. The gray polyester powder finish inside and out provides enhanced corrosion protection in outdoor applications.

**BULLETIN: A4**

Catalog Number	Height (in.)	Width (in.)	Depth (in.)	Panel
A16H16ALP	16	16	6	A16P16
A20H16BLP	20	16	8	A20P16
A20H20BLP	20	20	8	A20P20
A24H20BLP	24	20	8	A24P20
A24H24BLP	24	24	8	A24P24
A30H24BLP	30	24	8	A30P24
A30H30BLP	30	30	8	A30P30
A30H24DLP	30	24	12	A30P24
A36H30DLP	36	30	12	A36P30

**INDUSTRY STANDARDS**

UL 508A Listed; Type 4, 12, 13; File No. E61997  
cUL Listed per CSA C22.2 No. 94; Type 4, 12, 13; File No. E61997

NEMA/EEMAC Type 3, 4, 12, and 13  
CSA, File No. 42186: Type 4 and 12  
IEC 60529, IP66

**CONTINUOUS HINGE WITH 3-POINT LATCH, TYPE 4**



CSA, File No. 42186: Type 4 and 12  
IEC 60529, IP66

**APPLICATION**

These time-tested, single-door enclosures feature HOFFMAN's exclusive padlocking Powerglide Handle with 3-point latching for quick and convenient access. Ideal for indoor and outdoor applications, these rigid-bodied enclosures provide superior ease-of-access without sacrificing a secure seal.

**BULLETIN: A4W3**

Catalog Number	Height (in.)	Width (in.)	Depth (in.)	Panel
A48H36DLP3PT	48	36	12	A48P36
A60H36DLP3PT	60	36	12	A60P36
A72H36DLP3PT	72	36	12	A72P36
A48H36FLP3PT	48	36	16	A48P36
A60H36FLP3PT	60	36	16	A60P36

**INDUSTRY STANDARDS**

UL 508A Listed; Type 4, 12, 13; File No. E61997  
cUL Listed per CSA C22.2 No. 94; Type 4, 12, 13; File No. E61997

NEMA/EEMAC Type 3, 4, 12, and 13

**CONCEPT DISCONNECT ENCLOSURE, TYPE 4**



**APPLICATION**

Use mild steel Concept Disconnect Enclosures in applications that require indoor and outdoor environmental protection and maintain stylized design features. Accepts major brand disconnect switches and circuit breakers and is supplied with a HOFFMAN-integrated tool-to-open handle.

**Furnished with Enclosures**

1. Door interlock bracket welded to door
2. Concept-style latching system (2-point or 3-point) installed on door
3. Instructions to locate and install disconnect
4. Hardware kit consisting of padlocking door handle, panel mounting nuts, grounding hardware and sealing washers for mounting holes

**BULLETIN: CWD**

Catalog Number	Height (in.)	Width (in.)	Depth (in.)	Panel
CDSC30268	30	26	8	CP3024
CDSC36328	36	32	8	CP3630
CDSC423212	42	32	12	CP4230
CDSC423812	42	38	12	CP4236
CDSC483812	48	38	12	CP4836
CDSC603812	60	38	12	CP6036
CDSC603816	60	38	16	CP6036

**INDUSTRY STANDARDS**

Mounting brackets required to maintain UL/CSA external mounting requirement.

UL 508A Listed; Type 4, 12; File No. E61997  
cUL Listed per CSA C22.2 No. 94; Type 4, 12; File No. E61997

NEMA/EEMAC Type 4, 12, Type 13  
CSA File No. 42186: Type 4, 12  
VDE, IP66  
IEC 60529, IP66

**WALL-MOUNT DISCONNECT ENCLOSURE WITH HANDLE, TYPE 12**



**APPLICATION**

These general purpose disconnect enclosures accept major brand disconnect switches and circuit breakers, available with the HOFFMAN-supplied defeater door handle and handle hardware.

**BULLETIN: A25**

Catalog Number	Height (in.)	Width (in.)	Depth (in.)	Panel
A24SA2608LPPL	24	26	8	A24P24
A30SA2608LPPL	30	26	8	A30P24
A36SA3208LPPL	36	32	8	A36P30
A36SA3212LPPL	36	32	12	A36P30
A42SA3212LPPL	42	32	12	A42P30
A42SA3812LPPL	42	38	12	A42P36
A48SA3812LPPL	48	38	12	A48P36
A60SA3812LPPL	60	38	12	A60P36
A48SA3816LPPL	48	38	16	A48P36
A60SA3816LPPL	60	38	16	A60P36

**INDUSTRY STANDARDS**

UL 508A Listed; Type 12, 13; File No. E61997  
cUL Listed per CSA C22.2 No. 94; Type 12, 13; File No. E61997

NEMA/EEMAC Type 12, 13  
CSA File No. 42186: Type 12  
IEC 60529, IP66



**MILD STEEL SEQUESTER EXTERNAL DISCONNECT ENCLOSURE, TYPE 12**



**INDUSTRY STANDARDS**

UL 508A Listed; Type 12; File No. E61997  
 cUL Listed per CSA C22.2 No. 94; Type 12; File No. E61997

NEMA/EEMAC Type 12  
 CSA File No. 42186: Type 12  
 IEC 60529, IP55

**APPLICATION**

Retrofit disconnect enclosure to isolate incoming power and help mitigate arc flash occurrences by moving the disconnect switch to the Sequestr enclosure. Power is passed-through to the main enclosure. The Sequestr enclosure is sized for use with up to 200A disconnect switches and designed to fit with bulletins A28 and A34 main enclosures.

**BULLETIN: A70D**

Catalog Number	Height (in.)	Width (in.)	Depth (in.)	Panel
AXD18	34.5	14	18	Conductive Back Panel Included

1

**CONTINUOUS HINGE WITH CLAMPS, TYPE 12**



**APPLICATION**

This easy-to-open, continuous hinge enclosure features screw-down clamps for secure closure and can be used in a wide variety of applications.

**BULLETIN: A51CH**

Catalog Number	Height (in.)	Width (in.)	Depth (in.)	Panel
A404CH	4	4	3	No panel
A604CH	6	4	3	A6P4
A806CH	8	6	3.5	A8P6
A606CH	6	6	4	A6P6
A808CH	8	8	4	A8P8
A1008CH	10	8	4	A10P8
A1210CH	12	10	5	A12P10
A10086CH	10	8	6	A10P8
A10106CH	10	10	6	A10P10
A1212CH	12	12	6	A12P12
A1412CH	14	12	6	A14P12
A1614CH	16	14	6	A16P14
A14128CH	14	12	8	A14P12
A16148CH	16	14	8	A16P14

**INDUSTRY STANDARDS**

UL 50, 50E Listed; Type 12, 13; File No. E27567  
 cUL Listed per CSA 22.2 No. 94; Type 12, 13; File No. E27567  
 UL 508A Listed; Type 12, 13; File No. E61997  
 cUL Listed per CSA 22.2 No. 94; Type 12, 13; File No. E61997

NEMA/EEMAC Type 12 and 13  
 CSA, File No. 42184: Type 12  
 IEC 60529, IP65



1

**CONTINUOUS HINGE WITH CLAMPS, TYPE 4**



**APPLICATION**

A continuous hinge combined with stainless steel clamps on three sides provide environmental protection and security in indoor or outdoor applications.

**BULLETIN: A51NF**

Catalog Number	Height (in.)	Width (in.)	Depth (in.)	Panel
A606CHNF	6	6	4	A6P6
A808CHNF	8	8	4	A8P8
A1008CHNF	10	8	4	A10P8
A1210CHNF	12	10	5	A12P10
A10106CHNF	10	10	6	A10P10
A1212CHNF	12	12	6	A12P12
A1412CHNF	14	12	6	A14P12
A1614CHNF	16	14	6	A16P14

**INDUSTRY STANDARDS**

UL 50, 50E Listed; Type 4, 12, 13; File No. E27567  
 cUL Listed per CSA C22.2 No. 94; Type 4, 12, 13; File No. E27567  
 UL 508A Listed; Type 4, 12, 13; File No. E61997  
 cUL Listed per CSA C22.2 No. 94; Type 4, 12, 13; File No. E61997

NEMA/EEMAC Type 4, 12, 13  
 CSA, File No. 42184: Type 4 and 12  
 IEC 60529, IP66

**CONTINUOUS HINGE WITH QUARTER-TURN LATCH, TYPE 4**



1

**APPLICATION**

This enclosure provides the convenience of quarter-turn latching with an aesthetic, easy-to-maintain light gray textured finish.

**BULLETIN: A51FL**

Catalog Number	Height (in.)	Width (in.)	Depth (in.)	Panel
A404CHFL	4	4	3	No Panel
A806CHFL	8	6	3.5	A8P6
A606CHFL	6	6	4	A6P6
A808CHFL	8	8	4	A8P8
A1210CHFL	12	10	5	A12P10
A10086CHFL	10	8	6	A10P8
A10106CHFL	10	10	6	A10P10
A1212CHFL	12	12	6	A12P12
A14128CHFL	14	12	8	A14P12
A16148CHFL	16	14	8	A16P14

**INDUSTRY STANDARDS**

UL 508A Listed; Type 4, 12; File No. E61997  
 cUL Listed per CSA C22.2 No. 94 Listed; Type 4, 12; File No. E61997

NEMA/EEMAC Type 4 and 12  
 IEC 60529, IP 66

**SCREW COVER, TYPE 12**



**INDUSTRY STANDARDS**

UL 50, 50E Listed; Type 12, 13; File No. E27525  
 cUL Listed per CSA C22.2 No. 94; Type 12, 13; File No. E27525  
 UL 508A Listed; Type 12, 13; File No. E61997  
 cUL Listed per CSA C22.2 No. 94; Type 12, 13; File No. E61997

NEMA/EEMAC: Type 12 and 13  
 CSA, File No. 42184: Type 12  
 IEC 60529, IP65

**APPLICATION**

Ideal for a broad range of applications, this enclosure's screw cover is secured in each corner for a positive seal but easily removed for modifications.

**BULLETIN: A51SC**

Catalog Number	Height (in.)	Width (in.)	Depth (in.)	Panel
A404SC	4	4	3	No Panel
A604SC	6	4	3	A6P4
A806SC	8	6	3.5	A8P6
A606SC	6	6	4	A6P6
A808SC	8	8	4	A8P8
A1008SC	10	8	4	A10P8
A1210SC	12	10	5	A12P10
A10106SC	10	10	6	A10P10
A1212SC	12	12	6	A12P12
A1412SC	14	12	6	A14P12
A1614SC	16	14	6	A16P14

**SCREW COVER, CONTOURED, TYPE 4**



**INDUSTRY STANDARDS**

UL 508A Listed; Type 4, 6, 12, 13; File No. E61997  
 cUL Listed per CSA C22.2 No. 94; Type 4, 6, 12, 13; File No. E61997

NEMA Type 4, 6, 12, 13  
 CSA, File No. 42186: Type 4, 12, 13  
 IEC 60529, IP67

**APPLICATION**

Made out of drawn steel, this screw cover junction box offers rounded corners and smooth construction while meeting the water submersion rating. It can be used for a broad range of electrical and terminal wiring applications that do not require a back panel.

**BULLETIN: A51DR**

Catalog Number	Height (in.)	Width (in.)	Depth (in.)	Panel
A404DSC	4	4	2.6	No Panel



1

PUSHBUTTON ENCLOSURES, TYPE 12



1

APPLICATION

These pushbutton and extra-deep pushbutton enclosures are designed to hold 30.5-mm or 22.5-mm pushbuttons and switches.

BULLETIN: PB1

Catalog Number	Height (in.)	Width (in.)	Depth (in.)	Holes
E1PB	3.5	3.25	2.75	1 – 30.5mm
E2PB	5.75	3.25	2.75	2 – 30.5mm
E3PB	8	3.25	2.75	3 – 30.5mm
E4PB	10	3.25	2.75	4 – 30.5mm
E1PBG	3.5	3.25	2.75	1 – 22.5mm
E2PBG	5.75	3.25	2.75	2 – 22.5mm
E3PBG	8	3.25	2.75	3 – 22.5mm
E4PBG	10	3.25	2.75	4 – 22.5mm

INDUSTRY STANDARDS

UL 508A Listed; Type 12, 13; File No. E61997  
 cUL Listed per CSA C22.2 No. 94; Type 12, 13; File No. E61997

NEMA/EEMAC Type 12, 13  
 CSA File Number 42186: Type 12  
 IEC 60529, IP65

EXTRA-DEEP PUSHBUTTON ENCLOSURES, TYPE 4



1

APPLICATION

These pushbutton and extra-deep pushbutton enclosures are designed to hold 30.5-mm or 22.5-mm pushbuttons and switches.

BULLETIN: PB1

Catalog Number	Height (in.)	Width (in.)	Depth (in.)	Holes
E1PBX4	4	4	4.75	1 – 30.5mm
E2PBX4	6	4	4.75	2 – 30.5mm
E3PBX4	8	4	4.75	3 – 30.5mm
E4PBX4	10	4	4.75	4 – 30.5mm
E1PBXM4	4	4	4.75	1 – 22.5mm
E2PBXM4	6	4	4.75	2 – 22.5mm
E3PBXM4	8	4	4.75	3 – 22.5mm
E4PBXM4	10	4	4.75	4 – 22.5mm

INDUSTRY STANDARDS

UL 508A Listed; Type 4, 12; File No. E61997  
 cUL Listed per CSA C22.2 No. 94; Type 4, 12; File No. E61997

NEMA/EEMAC Type 4, 12  
 CSA File Number 42186: Type 4, 12  
 IEC 60529, IP66

CONCEPT, TYPE 4X



1

INDUSTRY STANDARDS

Mounting brackets required to meet UL/CSA external mounting requirements.

UL 508A Listed; Type 3R, 4, 4X, 12; File No. E61997  
 cUL Listed per CSA C22.2 No 94; Type 3R, 4, 4X, 12; File No. E61997

NEMA/EEMAC Type 3R, 4, 4X, 12, 13  
 CSA File No. 42186: Type 4, 4X, 12  
 VDE IP66  
 IEC 60529, IP66

Meets NEMA Type 3RX requirements

APPLICATION

For indoor or outdoor applications that require corrosion protection from chemicals and water. Concept Enclosures feature streamlined styling with an attractive stroked finish and flush quarter-turn latches for secure closure.

BULLETIN: CWS

Catalog Number	Height (in.)	Width (in.)	Depth (in.)	Panel
CSD12126SS	12	12	6	CP1212
CSD12126SS6	12	12	6	CP1212
CSD161210SS	16	12	10	CP1612
CSD16126SS	16	12	6	CP1612
CSD16128SS	16	12	8	CP1612
CSD161610SS	16	16	10	CP1616
CSD16166SS	16	16	6	CP1616
CSD16168SS	16	16	8	CP1616
CSD16208SS	16	20	8	CP2016
CSD201610SS	20	16	10	CP2016
CSD20166SS	20	16	6	CP2016
CSD20168SS	20	16	8	CP2016
CSD202010SS	20	20	10	CP2020
CSD202012SS	20	20	12	CP2020
CSD20206SS	20	20	6	CP2020
CSD20208SS	20	20	8	CP2020
CSD24168SS	24	16	8	CP2416
CSD242010SS	24	20	10	CP2420
CSD24208SS	24	20	8	CP2420
CSD242410SS	24	24	10	CP2424
CSD242412SS	24	24	12	CP2424
CSD24248SS	24	24	8	CP2424
CSD24248SS6	24	24	8	CP2424
CSD243010SS	24	30	10	CP3024
CSD302410SS	30	24	10	CP3024
CSD302412SS	30	24	12	CP3024
CSD30248SS	30	24	8	CP3024
CSD303010SS	30	30	10	CP3030
CSD303012SS	30	30	12	CP3030
CSD30308SS	30	30	8	CP3030
CSD362412SS	36	24	12	CP3624
CSD363010SS	36	30	10	CP3630
CSD363012SS	36	30	12	CP3630
CSD363610SSR	36	36	10	CP3636
CSD363612SS6R	36	36	12	CP3636
CSD363612SSR	36	36	12	CP3636
CSD423612SSR	42	36	12	CP4236
CSD483612SSR	48	36	12	CP4836
CSD603612SSR	60	36	12	CP6036

CONTINUOUS HINGE WITH CLAMPS LP, TYPE 4X



1

INDUSTRY STANDARDS

UL 508A Listed; Type 3R, 4, 4X, 12; File No. E61997  
 cUL Listed per CSA C22.2 No 94; Type 3R, 4, 4X, 12; File No. E61997

NEMA/EEMAC Type 3, 3R, 4, 4X, 12, 13  
 CSA File No. 42186: Type 4, 4X, 12  
 IEC 60529, IP66

Meets NEMA Type 3RX requirements

APPLICATION

For use in indoor and outdoor corrosive environments that require a water-tight seal, this enclosure's seamless foam-in-place gasket and screw-down clamps provide a secure seal against contaminants.

BULLETIN: A4S

Catalog Number	Height (in.)	Width (in.)	Depth (in.)	Panel
A16H1206SS6LP	16	12	6	A16P12
A16H1206SSLP	16	12	6	A16P12
A16H1208SS6LP	16	12	8	A16P12
A16H1208SSLP	16	12	8	A16P12
A16H1606SS6LP	16	16	6	A16P16
A16H1606SSLP	16	16	6	A16P16
A20H1606SS6LP	20	16	6	A20P16
A20H1606SSLP	20	16	6	A20P16
A20H1608SS6LP	20	16	8	A20P16
A20H1608SSLP	20	16	8	A20P16
A20H1610SS6LP	20	16	10	A20P16
A20H1610SSLP	20	16	10	A20P16
A20H2006SS6LP	20	20	6	A20P20
A20H2006SSLP	20	20	6	A20P20
A20H2008SS6LP	20	20	8	A20P20
A20H2008SSLP	20	20	8	A20P20
A24H1608SSLP	24	16	8	A24P16
A24H2006SSLP	24	20	6	A24P20
A24H2008SS6LP	24	20	8	A24P20
A24H2008SSLP	24	20	8	A24P20
A24H2010SS6LP	24	20	10	A24P20
A24H2010SSLP	24	20	10	A24P20
A24H2406SSLP	24	24	6	A24P24
A24H2408SS6LP	24	24	8	A24P24
A24H2408SSLP	24	24	8	A24P24
A24H2412SS6LP	24	24	12	A24P24
A24H2412SSLP	24	24	12	A24P24
A30H2408SS6LP	30	24	8	A30P24
A30H2408SSLP	30	24	8	A30P24
A30H2410SSLP	30	24	10	A30P24
A30H2412SS6LP	30	24	12	A30P24
A30H2412SSLP	30	24	12	A30P24
A30H3008SS6LP	30	30	8	A30P30
A30H3008SSLP	30	30	8	A30P30
A36H2408SS6LP	36	24	8	A36P24
A36H2408SSLP	36	24	8	A36P24
A36H2410SSLP	36	24	10	A36P24
A36H3008SSLP	36	30	8	A36P30
A36H3010SSLP	36	30	10	A36P30
A36H3012SS6LP	36	30	12	A36P30
A36H3012SSLP	36	30	12	A36P30
A36H3016SSLP	36	30	16	A36P30
A36H3612SS6LP	36	36	12	A36P36
A36H3612SSLP	36	36	12	A36P36
A48H3612SS6LP	48	36	12	A48P36
A48H3612SSLP	48	36	12	A48P36
A48H3616SSLP	48	36	16	A48P36
A60H3612SSLP	60	36	12	A60P36

CONTINUOUS HINGE WITH 3-POINT LATCH, TYPE 4X



1

APPLICATION

These enclosures feature HOFFMAN's exclusive Powerglide handle with 3-point latching, ideal for indoor or outdoor applications that require corrosion protection, convenient access, and padlocking security.

BULLETIN: A4SW3

Catalog Number	Height (in.)	Width (in.)	Depth (in.)	Panel
A24H2408SS6LP3PT	24	24	8	A24P24
A24H2408SSLP3PT	24	24	8	A24P24
A24H2412SSLP3PT	24	24	12	A24P24
A30H2412SSLP3PT	30	24	12	A30P24
A36H3012SSLP3PT	36	30	12	A36P30
A36H3612SSLP3PT	36	36	12	A36P36
A42H3612SSLP3PT	42	36	12	A42P36
A48H3612SS6LP3PT	48	36	12	A48P36
A48H3612SSLP3PT	48	36	12	A48P36
A48H3616SS6LP3PT	48	36	16	A48P36
A48H3616SSLP3PT	48	36	16	A48P36
A60H3612SSLP3PT	60	36	12	A60P36
A60H3616SSLP3PT	60	36	16	A60P36

INDUSTRY STANDARDS

UL 508A Listed; Type 3R, 4, 4X, 12; File No. E61997  
 cUL Listed per CSA C22.2 No 94; Type 3R, 4, 4X, 12; File No. E61997

NEMA/EEMAC Type 3R, 4, 4X, 12, 13  
 IEC 60529, IP66

Meets NEMA Type 3RX requirements

HOFFMAN WATERSHED, TYPE 4X



APPLICATION

Specifically designed for use in sanitary washdown production environments, particularly food and beverage manufacturing. HOFFMAN Watershed Enclosures feature a sloped top, sloped door edges, bullet-style hinges and additional unique features that facilitate washdown runoff.

BULLETIN: WS1

Catalog Number	Height (in.)	Width (in.)	Depth (in.)	Panel
WS161208SS	16	12	8	A16P12
WS161608SS	16	16	8	A16P16
WS201608SS	20	16	8	A20P16
WS202008SS	20	20	8	A20P20
WS242408SS	24	24	8	A24P24
WS242412SS	24	24	12	A24P24
WS302412SS	30	24	12	A30P24
WS303008SS	30	30	8	A30P30
WS363012SS	36	30	12	A36P30
WS363612SS	36	36	12	A36P36
WS483616SS	48	36	16	A48P36
WS603616SS	60	36	16	A60P36

INDUSTRY STANDARDS

Mounting brackets required to meet UL/cUL external mounting requirement.

UL 508A Listed; Type 4, 4X, 12; File Number E61997  
 cUL Listed per CSA C22.2 No 94; Type 4, 4X, 12; File No. E61997

NSF 169  
 NEMA/EEMAC Type 4, 4X, 12  
 IEC 60529, IP66

CONTINUOUS-HINGE WITH CLAMPS, TYPE 4X



APPLICATION

Used in either indoor or outdoor applications, these enclosures combine a rugged continuous hinge, seamless foam-in-place gasket and stainless steel screw-down clamps for a reliable seal that protects components from corrosive environments.

BULLETIN: A51S

Catalog Number	Height (in.)	Width (in.)	Depth (in.)	Panel
A6044CHNFSS	6	4	4	A6P4
A606CHNFSS	6	6	4	A6P6
A8064CHNFSS	8	6	4	A8P6
A1008CHNFSS	10	8	4	A10P8
A12106CHNFSS	12	10	6	A12P10
A1212CHNFSS	12	12	6	A12P12
A1412CHNFSS	14	12	6	A14P12
A1614CHNFSS	16	14	6	A16P14
A8064CHNFSS6	8	6	4	A8P6
A1008CHNFSS6	10	8	4	A10P8
A12106CHNFSS6	12	10	6	A12P10
A1212CHNFSS6	12	12	6	A12P12
A1412CHNFSS6	14	12	6	A14P12
A1614CHNFSS6	16	14	6	A16P14

INDUSTRY STANDARDS

UL 50, 50E Listed; Type 3R, 4, 4X, 12; File No. E27567  
 cUL Listed per CSA C22.2 No 94; Type 3R, 4, 4X, 12; File No. E27567  
 UL 508A Listed; Type 3R, 4, 4X, 12; File No. E61997  
 cUL Listed per CSA C22.2 No 94; Type 3R, 4, 4X, 12; File No. E61997

NEMA/EEMAC Type 3R, 4, 4X, 12, 13  
 CSA File No. 42184: Type 4, 4X, 12  
 IEC 60529, IP66  
 Meets NEMA Type 3RX requirements

30.5-MM AND 22.5-MM PUSHBUTTON ENCLOSURES, TYPE 4X



APPLICATION

Punched specifically to house either 30.5-mm or 22.5-mm oil-tight pushbuttons, switches and pilot lights. Pushbutton and extra-deep pushbutton enclosures provide protection against dirt, dust, oil and water.

BULLETIN: PB1S

Catalog Number	Height (in.)	Width (in.)	Depth (in.)	Holes
E1PBGSS	3.50	4.25	2.75	1 – 22.5mm
E1PBSS	3.50	4.25	2.75	1 – 30.5mm
E1PBXSS	4.00	4.00	4.75	1 – 30.5mm
E2PBSS	5.75	3.25	2.75	2 – 30.5mm
E3PBSS	8.00	3.25	2.75	3 – 30.5mm

INDUSTRY STANDARDS

UL 508A Listed; Type 4, 4X, 12; File Number E61997  
 cUL Listed per CSA C22.2 No 94; Type 4, 4X, 12; File No. E61997

NEMA/EEMAC Type 4X, 12, 13  
 CSA File Number 42186: Type 4, 4X, 12  
 IEC 60529, IP66

**CONTINUOUS HINGE, TYPE 4X**



1

**INDUSTRY STANDARDS**

Mounting brackets required to meet UL/CSA external mounting requirements.

UL 508A Listed; Type 4, 4X, 12, 13; File No. E61997  
 cUL Listed per CSA C22.2 No 94; Type 4, 4X, 12, 13; File No. E61997  
 Enclosure flammability evaluated per UL 508A

NEMA/EEMAC Type 4, 4X, 12, 13  
 CSA File No. 42186: Type 4, 4X, 12, 13  
 IEC 60529, IP66

**APPLICATION**

The efficient design and simple construction of these enclosures make them durable in corrosive environments, yet aesthetically pleasing. Corner latches provide unobstructed access. The continuous hinge provides a secure seal, and double latching creates added security.

**BULLETIN: A48**

Catalog Number	Height (in.)	Width (in.)	Depth (in.)	Panel
A664CHQRFG	6	6	4	A6P6
A864CHQRFG	8	6	4	A8P6
A1086CHQRFG	10	8	6	A10P8
A12106CHQRFG	12	10	6	A12P10
A14128CHQRFG	14	12	8	A14P12
A16148CHQRFG	16	14	8	A16P14
A181610CHQRFG	18	16	10	A18P16

Notes



1

**HINGE-COVER WITH QUICK-RELEASE LATCHES, TYPE 4X**



**INDUSTRY STANDARDS**

UL 508A Listed; Type 3, 3R, 4, 4X, 12, 13; File No. E61997  
 cUL Listed per CSA C22.2 No 94; Type 3, 3R, 4, 4X, 12, 13; File No. E61997  
 Enclosure flammability evaluated per UL 508A

NEMA/EEMAC Type 3, 3R, 4, 4X, 12, 13  
 IEC 60529, IP66  
 Meets NEMA Type 3RX requirements

**APPLICATION**

A full range of modification options are available for this wall-mount fiberglass enclosure. This enclosure features padlockable polyester latches for ease of access with increased security.

**BULLETIN: A17WM**

Catalog Number	Height (in.)	Width (in.)	Depth (in.)	Panel
A24H2408GQRLP	24	24	8	A24P24
A30H2412GQRLP	30	24	12	A30P24

POLYPRO, TYPE 4X



1

**INDUSTRY STANDARDS**

Mounting brackets required to meet UL/CSA external mounting requirements.

UL 508A Listed; Type 4, 4X, 12, 13; File No. E61997  
 cUL Listed per CSA C22.2 No 94; Type 4, 4X, 12, 13; File No. E61997  
 Enclosure flammability evaluated per UL 508A

NEMA/EEMAC Type 4, 4X, 12, 13  
 CSA File No. 42186; Type 4, 4X, 12, 13 (solid covers only)  
 IEC 60529, IP66

**APPLICATION**

PolyPro polyester enclosures perform exceptionally well in applications where harsh chemicals, weather extremes and corrosive environments demand toughness from a lightweight enclosure. Providing excellent ultraviolet protection and a tight environmental seal, these versatile, feature-rich enclosures are also recyclable.

**BULLETIN: PCR**

Catalog Number	Height (in.)	Width (in.)	Depth (in.)	Panel
A864PHC	8	6	4	A8P6
A12106PHC	12	10	6	A12P10

QLINE D, TYPE 4X



**INDUSTRY STANDARDS**  
**Polycarbonate Enclosure**

UL 508A Listed; Type 4, 4X, 6, 12, 13; File No. E61997  
 cUL Listed per CSA C22.2 No 94; Type 4, 4X, 6, 12, 13; File No. E61997  
 Enclosure flammability evaluated per UL 508A

NEMA/EEMAC Type 4, 4X, 6, 12, 13  
 CSA File No. 42186: Type 4, 4X, 6, 12, 13  
 IEC 60529, IP67

**APPLICATION**

Qline D polycarbonate enclosures have contoured bodies with flush cover screws for an attractive, contemporary appearance. Tough as well as stylish, they are functional in corrosive environments and can withstand occasional submersion.

**BULLETIN: Q41**

Catalog Number	Height (in.)	Width (in.)	Depth (in.)	Panel
Q889PCD	3	3	3	Q88PD
Q16129PCD	6	4.5	3	Q1612PD

QLINE D PUSHBUTTON, TYPE 4X



1

**INDUSTRY STANDARDS**

UL 508A Listed; Type 4, 4X, 12, 13; No. E61997  
 cUL Listed per CSA C22.2 No 94; Type 4, 4X, 12, 13; No. E61997  
 Enclosure flammability evaluated per UL 508A

NEMA/EEMAC Type 4, 4X, 12  
 CSA File Number 42186: Type 4, 4X, 12  
 IEC 60529, IP67

**APPLICATION**

Used for insulating and housing 22.5-mm pushbuttons in hostile environments. This Qline D Enclosure has contoured bodies with flush cover screws for an attractive, contemporary appearance.

**BULLETIN: Q41**

Catalog Number	Height (in.)	Width (in.)	Depth (in.)	Holes	Panel
Q1PBPCDM	3	3	3	1 – 22.5mm	Q88PD



## CHAPTER CONTENT

### MILD STEEL ..... 30



**Free-Stand**

- Free-Stand, Type 12, Single or Dual Access ..... 30
- Free-Stand Disconnect with Quick-Release Continuous Hinge, Type 4 ..... 30
- Heavy-Duty Free-Stand Disconnect Enclosure, Type 12 ..... 31
- Modular Disconnect Enclosure, Type 12 ..... 32
- Free-Stand, Type 4 with 3-Point Latch ..... 32

**Floor-Mount**

- Two-Door with Floor Stands Disconnect Enclosure, Type 12 ..... 33
- Two-Door with Floor Stands and 3-Point Latch, Type 4 ..... 34
- Two-Door with Floor Stands and 3-Point Latch, Type 12 ..... 34

**Disconnect Enclosure Accessories**

- Operator Adapters ..... 35
- Blank Adapter Plate ..... 35

### STAINLESS STEEL ..... 36

**Floor-Mount**

- Two-Door with 3-Point Latches, Type 4X ..... 36

**Free-Stand**

- Free-Stand, Type 4X, Single and Dual Access ..... 37



## CHAPTER 2 FREE-STAND AND FLOOR-MOUNT ENCLOSURES



**Free-Stand, Type 12, Single or Dual Access**  
Available with front or front and rear access, these Type 12 enclosures have sturdy unibody construction and flexible internal mounting options.



**Two-Door with 3-Point Latches, Type 4X**  
These two-door enclosures provide industry-leading protection for large components or complex mounting configurations in highly-corrosive environments.

## HOFFMAN on Demand

Please visit [hoffman.nvent.com](http://hoffman.nvent.com) for the entire HOFFMAN breadth of 15,000 products.



**FREE-STAND, TYPE 12, SINGLE OR DUAL ACCESS**



**INDUSTRY STANDARDS**

UL 508A Listed; Type 12; File No. E61997  
cUL Listed per CSA C22.2 No. 94; Type 12; File No. E61997

NEMA/EEMAC Type 12  
E.I.A. RS310D  
CSA, File No. 42186, Type 12  
IEC 60529, IP55

Applicable industry standards only for enclosures with Seismic Accessories:  
NEBS- Telcordia GR-63-CORE Zone 4, tested with 1000lbs evenly distributed  
OSHPD Pre-Approval OPM-0247-13

**APPLICATION**

Available with front or front and rear access, these Type 12 enclosures have sturdy unibody construction and flexible internal mounting options.

**BULLETIN: A30**

Catalog Number	Height (in.)	Width (in.)	Depth (in.)	Panel
A603624FS	60	36	24	A60P36F1
A723018FS	72	30	18	A72P30F1
A723618FS	72	36	18	A72P36F1
A723624FS	72	36	24	A72P36F1
A724818FSD	72	48	18	A72P48F1
A724824FSD	72	48	24	A72P48F1
A726024FSD	72	60	24	A72P60F1
A727218FSD	72	72	18	A72P72F1
A903624FS	90	36	24	A90P36F1
A904820FSD	90	48	20	A90P48F1
A907220FSD	90	72	20	A90P72F1
A907224FSD	90	72	24	A90P72F1

**FREE-STAND DISCONNECT WITH QUICK-RELEASE CONTINUOUS HINGE, TYPE 4**



**INDUSTRY STANDARDS**

UL 508A Listed; Type 4, 12, 3R; File No. E61997  
cUL Listed per CSA C22.2 No. 94; Type 4, 12, 3R; File No. E61997

NEMA/EEMAC Type 4, 12, 3R  
IEC 60529, IP66

**APPLICATION**

Simple, heavy-duty with easy door removal and re-installation, this disconnect enclosure can be ordered with one or two doors to fit a range of applications.

**BULLETIN: A4L3D**

Catalog Number	Height (in.)	Width (in.)	Depth (in.)	Panel
A72XM3418FTCLP4	72	34	18	A72PM34
A72XM5418FTCLP4	72	54	18	A72PM54

**HEAVY-DUTY FREE-STAND DISCONNECT ENCLOSURE, TYPE 12**



**INDUSTRY STANDARDS**

UL 508A Listed; Type 12; File No. E61997  
cUL Listed per CSA C22.2 No. 94; Type 12; File No. E61997

NEMA/EEMAC Type 12  
CSA File No. 42186: Type 12  
IEC 60529, IP55

**APPLICATION**

Simple, heavy-duty and cost-effective, this disconnect enclosure can be ordered with one to four doors to fit a range of applications. Available in ANSI 61 outside and white, polyester powder paint inside.

**BULLETIN: A28M1, A28M2, A28MM**

**A28M1 One Door**

Catalog Number	Height (in.)	Width (in.)	Depth (in.)	Panel
A72XM3418FTCLP	72	34	18	A72PM34
A72XM4018FTCLP	72	40	18	A72PM40
A84XM4018FTCLP	84	40	18	A84PM40
A84XM4024FTCLP	84	40	24	A84PM40
A90XM4018FTCLP	90	40	18	A90PM40

**A28M2 Two Door**

Catalog Number	Height (in.)	Width (in.)	Depth (in.)	Panel
A72XM5418FTCLP	72	54	18	A72PM54
A72XM6618FTCLP	72	66	18	A72PM66
A72XM7818FTCLP	72	78	18	A72PM78
A72XM7824FTCLP	72	78	24	A72PM78
A84XM7818FTCLP	84	78	18	A84PM78
A90XM7818FTCLP	90	78	18	A90PM78
A90XM7824FTCLP	90	78	24	A90PM78

**A28MM Three Door**

Catalog Number	Height (in.)	Width (in.)	Depth (in.)	Panel
A84XM3EW18FTCLP	84	118	18	A84PM40, A84PM78

**A28MM Four Door**

Catalog Number	Height (in.)	Width (in.)	Depth (in.)	Panel
A84XM4EW18FTCLP	84	158	18	A84PM78

**MODULAR DISCONNECT ENCLOSURE, TYPE 12**



**INDUSTRY STANDARDS**

UL 508A Listed; Type 12; File No. E61997  
cUL Listed per CSA C22.2 No. 94; Type 12; File No. E61997

NEMA Type 12  
CSA File No. 42186: Type 12  
IEC 60529, IP55

**APPLICATION**

Modular disconnect enclosures provide configuration flexibility and versatility. One- and two-door models can be bolted together in any configuration. Slave enclosures can be added or removed as required.

**BULLETIN: A34**

Catalog Number	Height (in.)	Width (in.)	Depth (in.)	Panel
AMOD843918FTCLP	84	39	18	No Panel
AMOD847718FTCLP	84	78	18	No Panel
AMOD84X4018FTCLP	84	40	18	No Panel
AMOD84X7818FTCLP	84	78	18	No Panel

2

**Modular Disconnect Enclosure Accessories**

Catalog Number	Description	Dimensions (in.)
AMOD84EPT	End Plate	84 x 18
AMOD8418FEP	Flat End Plate	84 x 18
AMOD8418BAP	Barrier Panel	84 x 18
AMOD8418FGK	Gasket Kit	84 x 18

**FREE-STAND, TYPE 4 WITH 3-POINT LATCH**



**INDUSTRY STANDARDS**

UL 508A Listed; Type 4, 12; File No. E61997  
cUL Listed per CSA C22.2 No. 94; Type 4, 12; File No. E61997

NEMA Type 3, 4, 12, 13  
E.I.A. RS310D  
IEC 60529, IP66

**APPLICATION**

These enclosures are ideal for mounting equipment on panels or racks in indoor or outdoor applications where it is necessary to protect controls and instrumentation from wet, non-corrosive environments. The design features HOFFMAN's exclusive Powerglide Handle with 3-point latching for secure closure.

**BULLETIN: A4L3**

Catalog Number	Height (in.)	Width (in.)	Depth (in.)	Panel
A72H2518FS3PT	72	25	18	A72P24F1
A72H3124FS3PT	72	31	24	A72P30F1
A72H3724FS3PT	72	37	24	A72P36F1

**TWO-DOOR WITH FLOOR STANDS DISCONNECT ENCLOSURE, TYPE 12**



**INDUSTRY STANDARDS**

UL 508A Listed; Type 12; File No. E61997  
cUL Listed per CSA C22.2 No. 94; Type 12; File No. E61997

NEMA/EEMAC Type 12  
CSA File No. 42186: Type 12  
IEC 60529, IP55

**APPLICATION**

A disconnect can be installed on the right side of this enclosure. Floor stands provide additional height and access for cleaning under the enclosure. Available in ANSI 61 outside and white, polyester powder paint inside.

**BULLETIN: A21**

Catalog Number	Height (in.)	Width (in.)	Depth (in.)	Panel
A60X4912LPFTC	60	50	12	A60P48
A60X4918LPFTC	60	50	18	A60P48
A60X6112LPFTC	60	62	12	A60P60
A60X6118LPFTC	60	62	18	A60P60
A72X6112LPFTC	72	62	12	A72P60
A72X6118LPFTC	72	62	18	A72P60
A72X7312LPFTC	72	74	12	A72P72
A72X7318LPFTC	72	74	18	A72P72
A72X7324LPFTC	72	74	24	A72P72

2

**TWO-DOOR WITH FLOOR STANDS AND 3-POINT LATCH, TYPE 4**



**APPLICATION**

These enclosures are ideal for indoor or outdoor applications where it is necessary to protect controls and instrumentation from wet, non-corrosive environments. The design features HOFFMAN's exclusive Powerglide Handle with 3-point latching for secure closure and floor stands that provide additional height and access for cleaning under the enclosure.

**BULLETIN:** A4L3

Catalog Number	Height (in.)	Width (in.)	Depth (in.)	Panel
A62H4810LP3PT	62	48	10	A60P48
A62H4818LP3PT	62	48	18	A60P48
A62H6012LP3PT	62	60	12	A60P60
A62H6018LP3PT	62	60	18	A60P60
A74H6012LP3PT	74	60	12	A72P60
A74H6018LP3PT	74	60	18	A72P60
A74H7212LP3PT	74	72	12	A72P72
A74H7218LP3PT	74	72	18	A72P72
A74H7224LP3PT	74	72	24	A72P72

**INDUSTRY STANDARDS**

UL 508A Listed; Type 4, 12; File No. E61997  
 cUL Listed per CSA C22.2 No. 94; Type 4, 12; File No. E61997

NEMA/EEMAC, Type 3, 4, 12, 13  
 IEC 60529, IP66

2

**TWO-DOOR WITH FLOOR STANDS AND 3-POINT LATCH, TYPE 12**



Catalog Number	Height (in.)	Width (in.)	Depth (in.)	Panel
A604808LP	60	48	8	A60P48
A604810LP	60	48	10	A60P48
A604812LP	60	48	12	A60P48
A604816LP	60	48	16	A60P48
A604824LP	60	48	24	A60P48
A606010LP	60	60	10	A60P60
A606012LP	60	60	12	A60P60
A606016LP	60	60	16	A60P60
A606024LP	60	60	24	A60P60
A726010ULP	72	60	10	A72P60
A726012ULP	72	60	12	A72P60
A726016ULP	72	60	16	A72P60
A726024ULP	72	60	24	A72P60
A727210ULP	72	72	10	A72P72
A727212ULP	72	72	12	A72P72
A727216ULP	72	72	16	A72P72
A727224ULP	72	72	24	A72P72

**INDUSTRY STANDARDS**

UL 508A Listed; Type 12; File No. E61997  
 cUL Listed per CSA C22.2 No. 94; Type 12; File No. E61997

NEMA/EEMAC Type 12  
 CSA, File No. 42186, Type 12  
 IEC 60529, IP55

**APPLICATION**

Enclosures have gasketed, overlapping doors to give protection in industrial environments and floor stands that provide additional height and access for cleaning under the enclosure. Because there is no centerpost, it is simple to install and remove panels.

**BULLETIN:** A12L

**OPERATOR ADAPTERS**



**APPLICATION**

An operator adapter is required to install a disconnect in Bulletin A21, A28, A34 and A4L3D HOFFMAN enclosures that have a universal cutout.

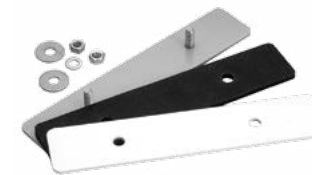
**BULLETIN:** ADY

Catalog Number	Description
ABBLC	ABB Controls, Large Handle
ABBSC	ABB Controls, Small Handle
ABBSV	ABB Variable-Depth, Small Handle
ABF	Allen-Bradley 1494F & 1494D Fixed-Depth Mechanisms
ABL	Allen-Bradley 1494V Variable-Depth; Allen-Bradley 140U, 1494C & 194RC Cable-Operated; Large Handle
ABS	Allen-Bradley 1494V Variable-Depth; Allen-Bradley 140U; all 140G handles; 1494U Universal; 1494C & 194RC Cable-Operated; Small Handle
ECHC	Eaton Cutler-Hammer C371 Flex-Shaft Cable-Operated
ECHV	Eaton Cutler-Hammer C361, C371 Variable Depth
GEC	General Electric Flexible Cable-Operated
GEV	General Electric STDA Variable-Depth
SITEL	Siemens I-T-E Max-Flex™; Large Handle
SITES	Siemens I-T-E Max-Flex™; Small Handle
SQDC	Square D® Class 9422 Flex-Cable Mechanisms
SQDV	Square D® Class 9422 Variable-Depth
WAMT	Eaton Cutler-Hammer/Westinghouse Below Handle AMT & Flex-Cable for F Frame Circuit Breakers
WAMTF	Eaton Cutler-Hammer/Westinghouse Flex-Cable for Circuit Breakers Except for F Frame



2

**BLANK ADAPTER PLATE**



**APPLICATION**

Covers flange cutouts in disconnect enclosures when disconnects are not installed.

**BULLETIN:** ADY

Catalog Number	Description
UBP	With preferred cutouts (i.e. A19S, CWSD, A21S4, A28S4, WS2D, A4S2, WS1D)

TWO-DOOR WITH 3-POINT LATCHES, TYPE 4X



INDUSTRY STANDARDS

UL 508A Listed; Type 3R, 4, 4X, 12; File No. E61997  
 cUL Listed per CSA C22.2 No 94; Type 3R, 4, 4X, 12; File No. E61997

NEMA Type 3, 3R, 4, 4X, 12, 13  
 IEC 60529, IP66  
 Meets NEMA Type 3RX requirements

APPLICATION

These two-door enclosures provide industry-leading protection for large components or complex mounting configurations in highly-corrosive environments. Three-point latching with the HOFFMAN Powerglide padlocking handles and a foam-in-place gasket combine convenience with security. They are well-suited for use in petrochemical plants; pulp and paper processing; water treatment facilities; and food, pharmaceutical and packaging applications.

BULLETIN: A4S3

2

Catalog Number	Height (in.)	Width (in.)	Depth (in.)	Panel
A62H4812SSLP3PT	62	48	12	A60P48
A62H4818SSLP3PT	62	48	18	A60P48
A62H6012SSLP3PT	62	60	12	A60P60
A62H6018SSLP3PT	62	60	18	A60P60
A74H6012SSLP3PT	74	60	12	A72P60
A74H6018SSLP3PT	74	60	18	A72P60
A74H7212SSLP3PT	74	72	12	A72P72
A74H7218SSLP3PT	74	72	18	A72P72
A74H7224SSLP3PT	74	72	24	A72P72

FREE-STAND, TYPE 4X, SINGLE AND DUAL ACCESS



INDUSTRY STANDARDS

UL 508A Listed; Type 3R, 4, 4X, 12; File No. E61997  
 cUL Listed per CSA C22.2 No 94; Type 3R, 4, 4X, 12; File No. E61997

NEMA/EEMAC Type 3, 3R, 4, 4X, 12, 13  
 E.I.A. RS-310-D  
 IEC 60529, IP66  
 Meets NEMA Type 3RX requirements

Applicable industry standards for enclosures with Seismic Accessories:  
 NEBS- Telcordia GR-63-CORE Zone 4, tested with 1000 lbs. evenly distributed  
 OSHPD Pre-Approval OPM-0247-13

APPLICATION

Designed to house systems incorporating large components or complex mounting configurations. Three-point latching and sealing provide industry-leading protection from dust, dirt, oil and water. These enclosures are used in machine tool applications for housing motor starters, drives, contactors and PLCs, as well as a wide variety of other electrical and electronic equipment. The addition of 19-in. rack-mounting accessories makes these enclosures ideal for providing rugged protection for sensitive rack-mounted components in harsh industrial environments. These enclosures are used extensively in automotive, pulp and paper, wood products, textile and similar industries.

BULLETIN: A30S4

2

Catalog Number	Height (in.)	Width (in.)	Depth (in.)	Panel
A723618SSFSN4	72	36	18	A72P36F1
A723624SSFSN4	72	36	24	A72P36F1
A724824SSFSDN4	72	48	24	A72P48F1
A726024SSFSDN4	72	60	24	A72P60F1



## CHAPTER CONTENT

### PROLINE G2 MODULAR ENCLOSURE SOLUTIONS..... 40



#### Enclosure Packages

Industrial Packages, Type 12 ..... 40

#### Enclosure Components

Frames .....	41
Solid Doors (Single or Overlapping Double) .....	41
Door Bar Grid Straps .....	41
Solid Cover (Front or Rear) .....	42
Side Cover .....	42
Solid Top .....	42
Gland Plate .....	43
Plinth Base.....	43
Fully-Sealed Plinth Base .....	43
Full Subpanel (Rear or Side).....	44
Joining Subpanel .....	44
Side-Mount Panel.....	45
Grid Strap Network (Rail System).....	45
Adjustable Rack-Mounting Rails.....	45
Frame Reducing Brackets .....	46
19-Inch Rack Angles .....	46
Fastener Packages .....	46
Panel Support Bracket .....	47
Dust Cover.....	47
Door Stop Kit.....	47
180-Degree Hinge Kit .....	47
Door Support Roller Kit .....	48
Steel Data Pocket.....	48
Frame Joining Kits.....	48
Cable Entry Gland Plate.....	48
Lifting Eyes .....	49
Lifting Angles .....	49



## CHAPTER 3 MODULAR ENCLOSURE SOLUTIONS



**Industrial Packages, Type 12**  
Proline G2 Industrial Packages are full-featured, ready-to-use enclosure solutions that make it unnecessary to order each component separately.



**Fastener Packages**  
P2ABVM6FP includes 10 BV-M6 fasteners. The blind, variable M6 screw-based fastener is an innovative alternative to cage nuts or self-tapping screws that can cause stripped holes.

## HOFFMAN on Demand

Please visit [hoffman.nvent.com](http://hoffman.nvent.com) for the entire HOFFMAN breadth of 15,000 products.

**INDUSTRIAL PACKAGES, TYPE 12**



**INDUSTRY STANDARDS**

UL 508A Listed; Type 12; File Number E61997

NEMA/EEMAC Type 12  
 CSA File Number 42186; Type 12  
 VDE IP55  
 IEC 60529, IP55

**APPLICATION**

Proline G2 Industrial Packages are full-featured, ready-to-use enclosure solutions that make it unnecessary to order each component separately. For convenience, a single part number includes a frame, solid door(s), handle and key lock, a solid top, a solid rear cover, a full mounting subpanel, a gland plate, and four lifting eyes. Side covers ordered separately to accommodate joining/baying applications.

**BULLETIN: P41**

Catalog Number	Height (mm)	Width (mm)	Depth (mm)	No. of Panels
P2K1866	1800	600	600	1
P2K1886	1800	800	600	1
P2K2066	2000	600	600	1
P2K2086	2000	800	600	1
P2K2088	2000	800	800	1
P2K20106	2000	1000	600	1
P2K2286	2200	800	600	1
P2KOD20126	2000	1200	600	2

**FRAMES**



**APPLICATION**

The Proline G2 frame is the foundational design element that protects the components inside this modular enclosure. The frame was designed to withstand heavier load requirements and to maintain a solid square structure - a solid foundation for the electrical enclosure.

**BULLETIN: P40**

Catalog Number	Product Description (mm)
P2F2068	FRAME 2000x600x800
P2F2088	FRAME 2000x800x800
P2F2288	FRAME 2200x800x800



**SOLID DOORS (SINGLE OR OVERLAPPING DOUBLE)**



**APPLICATION**

Proline G2 Solid Doors (Single or Overlapping Double) feature a solid swing and a high load capacity. The Smooth Glide latching system is made from quality components and incorporates an innovative timed latch action, ensuring a solid door seal with a low closure force. Sold individually.

**BULLETIN: P40**

Catalog Number	Product Description (mm)
P2D206	SOLID DOOR 2000x600
P2D208	SOLID DOOR 2000x800
P2D228	SOLID DOOR 2200x800

**DOOR BAR GRID STRAPS**



**APPLICATION**

The Proline G2 Door Bar Grid Straps are used to mount accessories to the door.

**BULLETIN: P40**

Catalog Number	Product Description (mm)
P2GD6	DOOR BAR 600mm
P2GD8	DOOR BAR 800mm

**SOLID COVER (FRONT OR REAR)**



**APPLICATION**

Covers on the front or rear of the enclosure frame can substitute for a door, and they have innovative design elements incorporated to ensure fast installation and enhanced structural support.

**BULLETIN: P40**

Catalog Number	Product Description (mm)
P2C206	FRONT OR REAR COVER 2000x600
P2C208	FRONT OR REAR COVER 2000x800
P2C228	FRONT OR REAR COVER 2200x800

**SIDE COVER**



**APPLICATION**

Proline G2 Solid Sides enclose the open sides of the modular enclosure frame and have innovative design elements incorporated to ensure fast installation and enhanced structural support.

**BULLETIN: P40**

Catalog Number	Product Description (mm)
P2CS186	SIDE COVER 1800x600
P2CS206	SIDE COVER 2000x600
P2CS208	SIDE COVER 2000x800
P2CS226	SIDE COVER 2200x600
P2CS228	SIDE COVER 2200x800

3

**SOLID TOP**



**APPLICATION**

Proline G2 Solid tops are used to close the top opening on an enclosure frame.

**BULLETIN: P40**

Catalog Number	Product Description (mm)
P2T68	SOLID TOP 600x800
P2T88	SOLID TOP 800x800

**GLAND PLATE**



**APPLICATION**

Gland plates are used with a plinth base to provide cable management solutions while maintaining a NEMA 12 rating. Proline G2's unique Duro-Stand Gland Plate was designed to bear the weight of a person, making it easier to work on the enclosure when the gland plate is installed.

**BULLETIN: P40**

Catalog Number	Product Description (mm)
P2BGP68G	GLAND PLATE 600x800 GALV
P2BGP88G	GLAND PLATE 800x800 GALV

**PLINTH BASE**



**APPLICATION**

Proline G2 Plinth Bases install under an enclosure to provide space for cables to enter from below.

**BULLETIN: P40**

Catalog Number	Product Description (mm)
P2BP166	100mm PLINTH 600X600
P2BP168	100mm PLINTH 600X800
P2BP186	100mm PLINTH 800X600
P2BP188	100mm PLINTH 800X800
P2BP1106	100mm PLINTH 1000X600
P2BP1126	100mm PLINTH 1200X600

**FULLY-SEALED PLINTH BASE**



**APPLICATION**

No need to use a gland plate in the base of the enclosure with the Fully-Sealed Plinth Base (100mm Solid Base), which includes fully-sealed gland plates on the sides. Solid bases can easily be joined, for convenient cable management in joined/ganged enclosures while maintaining Type 12 environmental rating.

**BULLETIN: P40**

Catalog Number	Product Description (mm)
P2B166	100mm SEALED PLINTH 600x600
P2B168	100mm SEALED PLINTH 600x800
P2B186	100mm SEALED PLINTH 800x600
P2B188	100mm SEALED PLINTH 800x800

FULL SUBPANEL (REAR OR SIDE)



APPLICATION

The Proline G2 Subpanel is part of the new patent pending EZ-Load Mounting System which was designed to maximize space utilization and to make loading the subpanel faster and safer by providing a variety of loading options. The EZ-Load Glide Blocks can be used to load a subpanel vertically from the front, rear or side. Additionally, they can be used to load the subpanel horizontally—a new method for a more controlled option to load a subpanel into a modular enclosure.

BULLETIN: P40

Catalog Number	Product Description (mm)
P2P186	FULL SUBPANEL 1800x600
P2P188	FULL SUBPANEL 1800x800
P2P206	FULL SUBPANEL 2000x600
P2P206G	FULL SUB GALV 2000x600
P2P208	FULL SUBPANEL 2000x800
P2P208G	FULL SUB GALV 2000x800
P2P2010	FULL SUBPANEL 2000x1000
P2P2010G	FULL SUB GALV 2000x1000
P2P2012	FULL SUBPANEL 2000x1200
P2P228	FULL SUBPANEL 2200x800
P2P228G	FULL SUB GALV 2200x800

JOINING SUBPANEL

3



APPLICATION

The Proline G2 Joining Subpanel provides a continuous panel surface in multiple-bay enclosures. The joining subpanel is inserted between full subpanels of equal height. It can be installed from front or rear.

BULLETIN: P40

Catalog Number	Product Description (mm)
P2PJ20G	JOINING SUB GALV 2000mm
P2PJ20	JOINING SUBPANEL 2000mm
P2PJ22	JOINING SUBPANEL 2200mm
P2PJ22G	JOINING SUB GALV 2200mm

SIDE-MOUNT PANEL



APPLICATION

Partial Subpanels can be used on the sides of a modular enclosure or placed at any depth in 25-mm increments.

BULLETIN: P40

Catalog Number	Product Description (mm)
P2PSM206	SIDE MOUNT SUBPANEL 2000x600
P2PSM208	SIDE MOUNT SUBPANEL 2000x800
P2PSM228	SIDE MOUNT SUBPANEL 2200x800



GRID STRAP NETWORK (RAIL SYSTEM)



APPLICATION

Proline G2 Grid Straps can be used to create a mounting or support network within the frame. The Grid Straps are furnished in pairs and available in three designs: full-height vertical, horizontal with mounting brackets, and single-piece horizontal with integrated tabs. Horizontal Grid Straps can be mounted front-to-back between frame verticals (depth-mounted), side-to-side between frame verticals or depth-mounted Grid Straps (width-mounted), or even vertically between Grid Straps. Vertical Grid Straps are used to span the full height of an enclosure.

BULLETIN: P40

Catalog Number	Product Description (mm)
P2G1R6	GRID STRAP 1ROW 600mm
P2G3R6	GRID STRAP 3ROW 600mm
P2G3R7	GRID STRAP 3ROW 700mm
P2G3R8	GRID STRAP 3ROW 800mm
P2G3R9	GRID STRAP 3ROW 900mm

3

ADJUSTABLE RACK-MOUNTING RAILS



APPLICATION

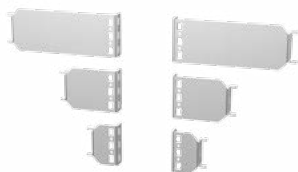
Proline G2 Adjustable Rack-Mounting Rails allow 19-in. Rack Angles to be positioned anywhere within the modular enclosure frame.

BULLETIN: P40

Catalog Number	Product Description (mm)
P2GARA6	ADJUSTABLE RACK RAILS 600mm
P2GARA8	ADJUSTABLE RACK RAILS 800mm



**FRAME REDUCING BRACKETS**



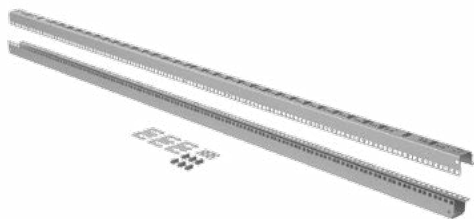
**APPLICATION**

- Frame-Reducing Brackets are used to reduce wider frames to 600mm, allowing 19-in. rack angles to fit
- Brackets can also be used to left- or right- justify rack-mounted equipment

**BULLETIN: P40**

Catalog Number	Product Description (mm)
P2AFRB100	FRAME REDUCING BRACKET 100m

**19-INCH RACK ANGLES**



**APPLICATION**

The Proline G2 Rack Angles mount using BV-M6 fasteners instead of the traditional cage nut and screw combination. The Rack Angle height and rack unit count are optimized for the Proline G2 frame heights. Rack Angles have two mounting surfaces that function in the attachment of rack-mount equipment and accessories. Rack Angles comply with ANSI/EIA RS-310-D rack mounting standards.

**BULLETIN: P40**

Catalog Number	Product Description (mm)
P2RA19S20	PG2 RACK ANG 19 SQ 2000mm
P2RA19T20	PG2 RACK ANG 19 TAPPED 2000mm
P2RA19S22	PG2 RACK ANG 19 SQ 2200mm
P2RA19T22	PG2 RACK AGL 19 TAPPED 2200mm

3

**FASTENER PACKAGES**



Proline G2 Fastener Packages can be ordered if extra or alternate fasteners are required.

P2ABVM6FP includes (10) BV-M6 fasteners (Blind, Variable M6 screw-based fastener), an innovative alternative to cage nuts or self-tapping screws that can cause stripped holes. The fastener combines a screw and nut in one easy-to-handle package. With the BV-M6 there's no need to access the back of the fastener to tighten, and the thickness of the item being attached need not be predefined. When the BV-M6 is tightened, the embedded nut engages and moves up the screw thread to fasten.

**BULLETIN: P40**

Catalog Number	Product Description (mm)
P2ABVM6FP	BVM6 PKG QTY 10

**PANEL SUPPORT BRACKET**



**APPLICATION**

The panel support bracket can be used in the vertical center sides of the Proline G2 Mounting Subpanel to provide additional subpanel support.

**BULLETIN: P40**

Catalog Number	Product Description (mm)
P2APSB	PANEL SUPPORT BRACKET



**DUST COVER**



**APPLICATION**

The Proline G2 Dust Cover can be used across the top of joined enclosures to provide a finished appearance. The Dust Cover is not required to maintain a Type 12 rating. It is purely for enhanced aesthetics.

**BULLETIN: P40**

Catalog Number	Product Description (mm)
P2ADC6	DUST COVER 600mm
P2ADC8	DUST COVER 800mm

**DOOR STOP KIT**



**APPLICATION**

The Door Stop Kit is used for modular enclosures and holds doors open at 130 degrees.

**BULLETIN: P40**

Catalog Number	Product Description (mm)
P2ADSK	DOOR STOP KIT

**180-DEGREE HINGE KIT**



Hinge option for modular enclosure doors to provide up to a 260-degree door opening on single-door enclosures.

**BULLETIN: P40**

Catalog Number	Product Description (mm)
P2AH180	180 DEGREE HING KIT

3

**DOOR SUPPORT ROLLER KIT**



The Proline G2 Door Support Roller Kit supports and aligns heavy doors. It is suitable for all solid and window doors.  
**BULLETIN: P40**

Catalog Number	Product Description (mm)
P2ADRK	DOOR ROLLER KIT

**STEEL DATA POCKET**



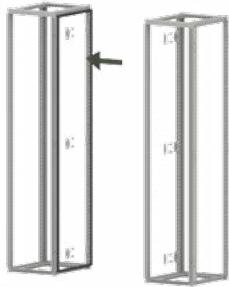
**APPLICATION**

Provides a convenient place to store wiring diagrams, operation manuals and other documentation inside the enclosure.

**BULLETIN: P40**

Catalog Number	Product Description (mm)
P2ADPS1	STEEL DATA POCKET

**FRAME JOINING KITS**



**APPLICATION**

The Proline G2 Frame Joining Kit joins two modular enclosures while maintaining an environmental seal. This process is also commonly referred to as baying. The kits have been designed for ease of installation, while maintaining the G2 solution strength.

**BULLETIN: P40**

Catalog Number	Product Description (mm)
P2AJ	JOINING KIT G2 TO G2
P2AJKSB	JOINING KIT SUPPORT BRACKET
P2AJSB	JOINING KIT SEALED PLINTH

**CABLE ENTRY GLAND PLATE**



**APPLICATION**

Cable Entry Gland Plates can be used instead of the solid gland plates on the Fully Sealed Plinth Base (100mm Solid Base) to provide additional cable management solutions.

**BULLETIN: P40**

Catalog Number	Product Description (mm)
P2ACEGP	CABLE ENTRY GLAND PLATE

**LIFTING EYES**



**APPLICATION**

Lifting Eyes are used for lifting Proline G2 modular frames and for fastening Proline G2 top accessories to the frame.

**BULLETIN: P40**

Catalog Number	Product Description (mm)
P2ALE	LIFTING EYES QTY 4



**LIFTING ANGLES**



**APPLICATION**

Lifting angles fasten into the steel corner blocks of a modular enclosure or joined modular enclosures to facilitate overhead lifting.

**BULLETIN: P40**

Catalog Number	Product Description (mm)
P2ALASS	SIDE TO SIDE LIFTING ANGLE



## CHAPTER CONTENT

### HMI ENCLOSURES..... 52

<b>Concept HMI</b>	
Concept HMI, Type 4.....	52
Grounding Kit.....	53
Accessory Handle Kit.....	53
Keyboard Tray.....	53

<b>Consoles</b>	
Mild Steel Consoles.....	54

### MOUNTING OPTIONS..... 55

<b>Syspend 180-Max</b>	
Syspend 180-Max Suspension System, Type 12.....	55
Tubes.....	55
Narrow Adapter.....	56
Elbow.....	56
Rotatable Elbow.....	57
Flange Coupling.....	57
Flange Elbow Coupling.....	58
Intermediate Joint.....	58
Horizontal Panel Coupling.....	59
Vertical Panel Coupling.....	59
Reduction Elbow.....	60
Rotation Limiter.....	60
Signal Light Adapter.....	61
Set-up Joint.....	61
Rotary Base.....	62
Wall Flange.....	62
Horizontal Wall Joint.....	63
Vertical Wall Joint.....	63

<b>Syspend 281-Max</b>	
Syspend 281-Max Suspension System, Type 12.....	64
Tubes.....	64
Tube Adapter.....	65
Tube Hole Plugs.....	65
Rotation Limiters.....	65
Angled Adapter, Stepless 30 Degrees.....	66
Angled Coupling Tilted Forward.....	66
Base Coupling.....	67
Elbow.....	67
Rotatable Elbow.....	68
Flange Coupling.....	68
Flange Elbow Coupling.....	69
Intermediate Joint.....	69
Light Signal Adapter.....	70
Small Pedestal Base.....	70
Large Pedestal Base.....	71
Rotary Base.....	71
Wall Flange.....	72
Vertical Wall Joint.....	72
Horizontal Wall Joint.....	73
Set-Up Joint.....	73

<b>Pedestals</b>	
Pedestals.....	74
Pedestal with Legs.....	74
Angle Adapter.....	74
Swivel Tilt.....	75
Swivel.....	75
Handles.....	75



## CHAPTER 4 HMI (HUMAN -MACHINE INTERFACE)



### Concept HMI, Type 4

A traditional landscape-oriented HMI enclosure made of light-gray steel, the Concept HMI is unique among HMI enclosure systems when you need a range of customization options. This pendant- or pedestal-mounted system has many possible configurations for installing HMI components and the ability to accommodate cutouts anywhere on the enclosure.



### Syspend 281-Max Suspension System

Variability in system configuration, advanced design and ease of assembly are key requirements when specifying an enclosure suspension system. The Syspend 281-Max features a modern industrial design, excellent ergonomics and multiple component combinations.

## HOFFMAN on Demand

Please visit [hoffman.nvent.com](http://hoffman.nvent.com) for the entire HOFFMAN breadth of 15,000 products.

CONCEPT HMI, TYPE 4



INDUSTRY STANDARDS

UL 508A Listed; Type 4, 12; File Number E61997  
 cUL Listed per CSA C22.2 No. 94; Type 4, 12; File No. E61997

NEMA Type 4, 12  
 IEC 60529, IP66

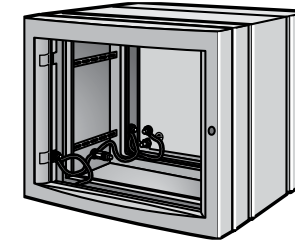
APPLICATION

A traditional landscape-oriented HMI enclosure made of light-gray steel, the Concept HMI is unique among HMI enclosure systems when you need a range of customization options. This pendant- or pedestal-mounted system has many possible configurations and modifications, including a removable front plate that makes it easy to install HMI components and the ability to accommodate cutouts anywhere on the enclosure.

BULLETIN: C2

Catalog Number	Height (in.)	Width (in.)	Depth (in.)	Front Opening Height (in.)	Front Opening Width (in.)
CP253512	10	14	5	8	11
CP304012	12	16	5	10	13
CP323512	13	14	5	11	11
CP354512	14	18	5	12	15
CP354518	14	18	7	12	15
CP374012	15	16	5	13	13
CP405012	16	20	5	14	17
CP405018	16	20	7	14	17
CP424512	17	18	5	15	15
CP424518	17	18	7	15	15
CP455512	18	22	5	16	19
CP455518	18	22	7	16	19
CP475012	19	20	5	17	17
CP475018	19	20	7	17	17
CP486018	19	24	7	17	21
CP525512	20	22	5	19	19
CP525518	20	22	7	19	19
CP556012	22	24	5	20	21
CP556018	22	24	7	20	21

GROUNDING KIT



Kit provides a means of attaching a grounding conductor to an enclosure. Kit consists of two insulated copper wires with all installation hardware and instructions included.

BULLETIN: C2

Catalog Number	Description
CCGK	Grounding Kit



ACCESSORY HANDLE KIT

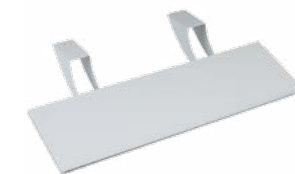


Install handles on the integral handle extrusions or the bottom of the enclosure. Handle is 13.40-in. long and can be cut down to fit smaller enclosure sizes. Aluminum tube has RAL 9005 black polyester powder paint finish. Plastic ends are RAL 9005 black. Kit includes one pair of handles and all mounting hardware.

BULLETIN: C2

Catalog Number	Description
CHDLK	Accessory Handle Kit

KEYBOARD TRAY

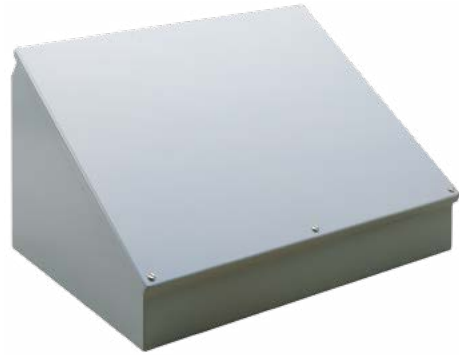


The Keyboard Tray mounts under the enclosure for a keyboard and mouse. All mounting hardware is included. The tray has RAL 7035 light-gray polyester powder paint finish.

BULLETIN: C2

Catalog Number	Description
CKBT	Keyboard Tray

MILD STEEL CONSOLETS



INDUSTRY STANDARDS

UL 508A Listed; Type 12, 13; File No. E61997  
 cUL Listed per CSA C22.2 No. 94; Type 12, 13; File No. E61997

NEMA/EEMAC Type 12, 13  
 CSA File Number 42186: Type 12  
 IEC 60529, IP65

APPLICATION

Consolets are ideal for mounting small control or instrumentation devices where the desirable access requires a 30- or 60-degree surface. These enclosures can be mounted on either of two sides for placement on desktops, pedestals or other flat surfaces.

BULLETIN: C5

Catalog Number	Height (mm)	Width (mm)	Depth (mm)
C8C8	8	7	8
C8C12	8	12	7
C8C16	8	16	7
C12C12	12	12	9
C12C16	12	16	9
C12C20	12	20	9
C12C24	12	24	9
C16C16	16	16	11
C16C20	16	20	11
C16C24	16	24	11
C20C20	20	20	13
C20C24	20	24	13
C20C30	20	30	13

SYSPEND 180-MAX SUSPENSION SYSTEM, TYPE 12



INDUSTRY STANDARDS

Maintains NEMA Type 12 and IEC IP55 enclosure rating when properly installed per HOFFMAN instructions.

APPLICATION

The SYSPEND 180-MAX is a modular enclosure suspension system designed for modern industrial aesthetics, excellent ergonomics and multiple component combinations. The easy-to-install components can be configured in a variety of ways to get the right combination for any application. At 3.3 ft. (1 m) the system supports up to 180 lb. (81.6 kg).



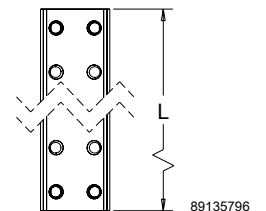
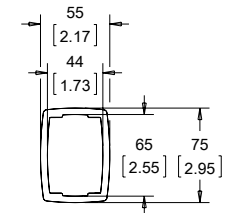
TUBES



Aluminum tubes provide structural integrity and act as conduit for equipment wiring. Tubes attach to system components with 6 setscrews on each end of the tube. Setscrews are provided with system couplings, not the tubes. Setscrews allow for easy adjustment and leveling of the system. Setscrews are provided with thread sealer providing secure connections. Available in 6 standard lengths ranging from 250 mm (9.84) to 1500 mm (59.05). Tubes 750 mm (29.53) and longer include drilling template to assist with drilling and tapping the holes when tube is cut to length.

BULLETIN: CS5

Catalog Number	Color	L (in.)	Weight (lb.)
S1MT250	Anodized	9.84	1.75
S1MT500	Anodized	19.68	3.50
S1MT750	Anodized	29.53	5.25
S1MT1000	Anodized	39.37	7.00
S1MT1250	Anodized	49.21	8.75
S1MT1500	Anodized	59.05	10.50

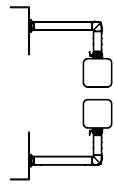


**NARROW ADAPTER**

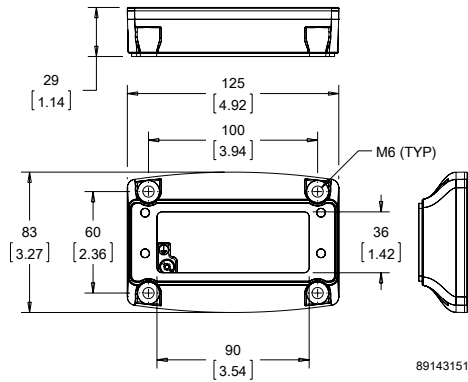


The Narrow Adapter can be attached to the Flange Coupling and Flange Elbow Coupling to create a narrower connection to an enclosure. Specifically designed for use with the Syspend Aluminum HMI Enclosures that have 66mm of usable space. Does not inhibit coupling functionality. Die-cast aluminum construction. Includes installation instructions, gaskets, and mounting hardware.

**BULLETIN: CS5**



Catalog Number	Color	Weight (lb.)
S1MA	RAL 9005, Black	0.5

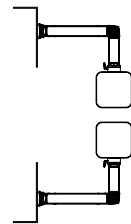


**ELBOW**

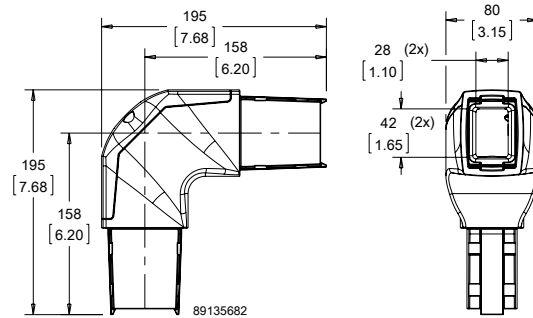


The elbow provides a 90-degree bend in the suspension system. Die-cast aluminum construction. Includes installation instructions, gaskets, and tube setscrews.

**BULLETIN: CS5**



Catalog Number	Color	Weight (lb.)
S1ME	RAL 9005, Black	2.75

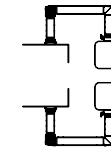


**ROTATABLE ELBOW**

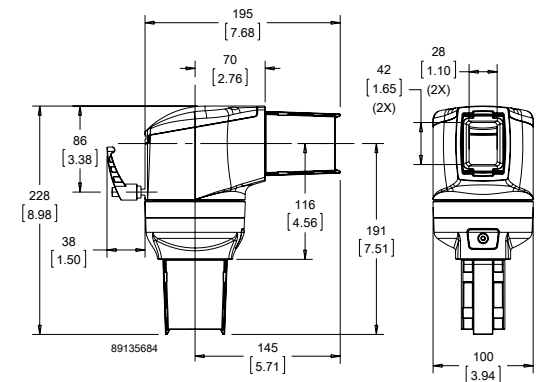


The rotatable elbow provides a 90-degree bend in the suspension system and allows the vertical tube to rotate 300 degrees. Includes safety stop and maintenance-free bearings. Die-cast aluminum construction. Includes installation instructions, gaskets, and tube setscrews.

**BULLETIN: CS5**



Catalog Number	Color	Weight (lb.)
S1MER	RAL 9005, Black	5.00

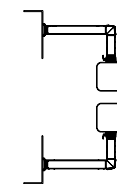


**FLANGE COUPLING**

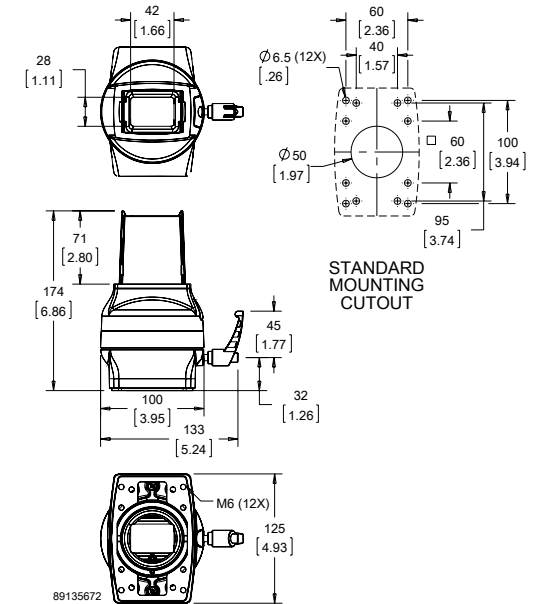


The flange coupling attaches a tube to the enclosure, enabling 300-degree enclosure rotation and can be locked into a given position. The flange coupling has a safety stop and maintenance-free bearings. Die-cast aluminum construction. Includes installation instructions, gaskets, tube setscrews and enclosure mounting hardware.

**BULLETIN: CS5**



Catalog Number	Color	Weight (lb.)
S1MFC	RAL 9005, Black	3.50

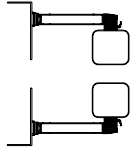


FLANGE ELBOW COUPLING

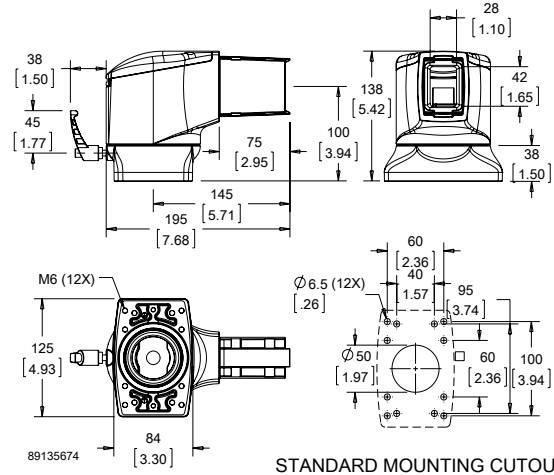


The flange elbow coupling attaches directly to the enclosure for applications where a vertical tube is not required. It enables the enclosure to rotate 300 degrees and can be locked into a given position. The flange elbow coupling has a safety stop and maintenance-free bearings. Die-cast aluminum construction. Includes installation instructions, gaskets, tube setscrews and enclosure mounting hardware.

BULLETIN: CS5



Catalog Number	Color	Weight (lb.)
S1MFEC	RAL 9005, Black	4.50



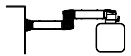
INTERMEDIATE JOINT



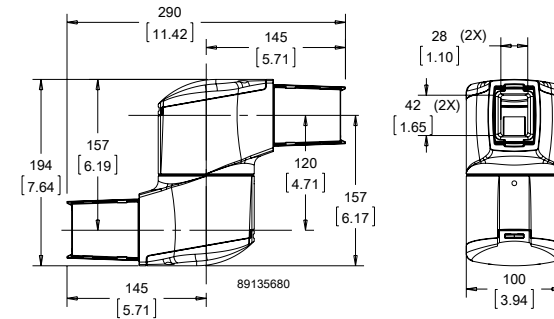
Use an intermediate joint to join two horizontal tubes together for a longer length. The arm can be rotated 300 degrees. Includes safety stop and maintenance-free bearings. Die-cast aluminum construction. Includes installation instructions, gaskets, and tube setscrews.

*Use of the intermediate joint reduces the system load rating capacity to 146 lb. (66 kg) at 3.3 ft. (1 m).*

BULLETIN: CS5



Catalog Number	Color	Weight (lb.)
S1MIJ	RAL 9005, Black	6.00



HORIZONTAL PANEL COUPLING

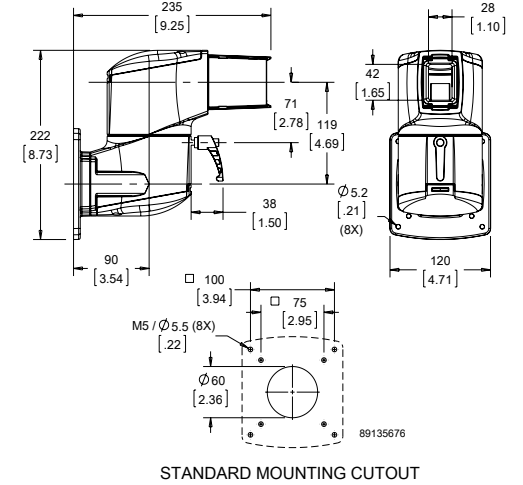


The horizontal panel coupling mounts a horizontal tube to the back of an enclosure or screen using Video Electronics Standards Association (VESA) mounting. The coupling has mounting holes drilled for standard VESA 75 and 100 flange sizes. It enables the enclosure to rotate 300 degrees and can be locked into a given position. The horizontal panel coupling has a safety stop and maintenance-free bearings. Die-cast aluminum construction. Includes installation instructions, gaskets, tube setscrews and enclosure mounting hardware.

BULLETIN: CS5



Catalog Number	Color	Weight (lb.)
S1MPCH	RAL 9005, Black	6.50

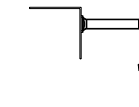


VERTICAL PANEL COUPLING

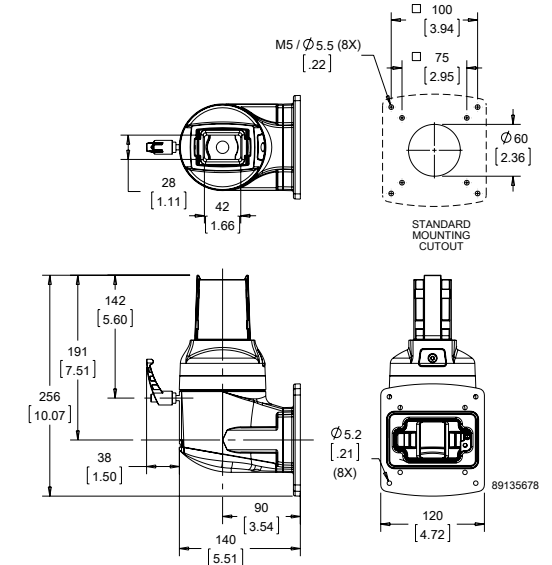


The vertical panel coupling mounts a vertical tube to the back of an enclosure or screen using Video Electronics Standards Association (VESA) mounting. The coupling has mounting holes drilled for standard VESA 75 and 100 flange sizes. It enables the enclosure to rotate 300 degrees and can be locked into a given position. The vertical panel coupling has a safety stop and maintenance-free bearings. Die-cast aluminum construction. Includes installation instructions, gaskets, tube setscrews and enclosure mounting hardware.

BULLETIN: CS5



Catalog Number	Color	Weight (lb.)
S1MPCV	RAL 9005, Black	5.50



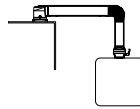
REDUCTION ELBOW



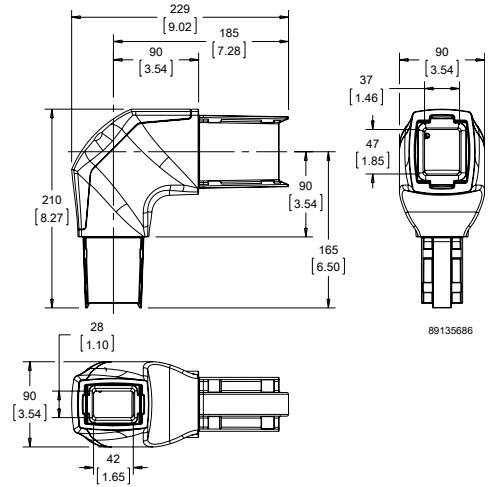
The reduction elbow provides a 90-degree bend in the suspension system between the horizontal tube and base connection of the Syspend 281-Max system and the vertical components of the Syspend 180-Max system. Die-cast aluminum construction. Includes installation instructions, gaskets, and tube setscrews.

*Use of the reduction elbow with the Syspend 281-Max base and tube increases the system load rating to 281 lb. (127 kg) at 3.3 ft. (1 m).*

BULLETIN: CS5



Catalog Number	Color	Weight (lb.)
S1MRE	RAL 9005, Black	4.00



ROTATION LIMITER



Rotation limiters are a retrofit option to limit the rotation of couplings and joints which normally rotate 300 degrees. Each block limits rotation 30 degrees. Kit includes six rotation limiting blocks and installation instructions.

BULLETIN: CS5

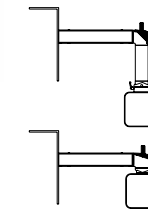
Catalog Number	Qty.
S1MRL	6

SIGNAL LIGHT ADAPTER



The signal light adapter is round and provides a means for attaching signal lights. Signal lights are not included. Aluminum caps are finished in RAL 9006 white aluminum powder paint. Includes caps, gasket, attachment hardware, and post.

BULLETIN: CS5



Catalog Number	Description	Color	Weight (lb.)
S1MSLAR	Round Cap	RAL 9006, White Aluminum	.53



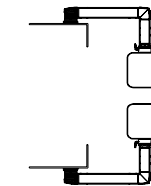
S1MSLAR

SET-UP JOINT

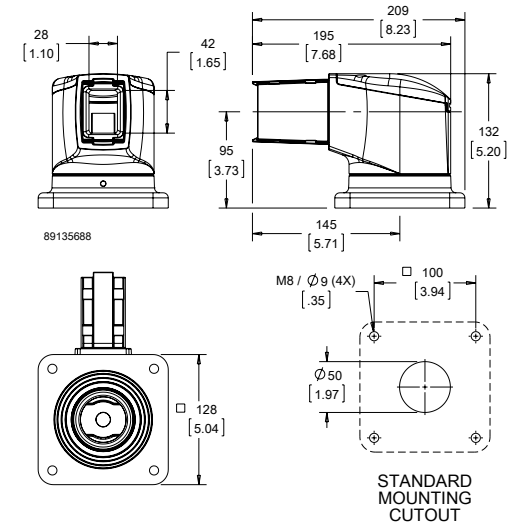


The set-up joint mounts the suspension system to a horizontal surface. The arm can be rotated 300 degrees. Includes a safety stop and maintenance-free bearings. Die-cast aluminum construction. Includes installation instructions, gaskets, and tube setscrews. Surface mounting hardware not provided.

BULLETIN: CS5



Catalog Number	Color	Weight (lb.)
S1MSJ	RAL 9005, Black	4.75



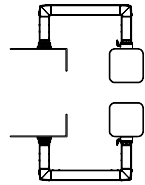


ROTARY BASE



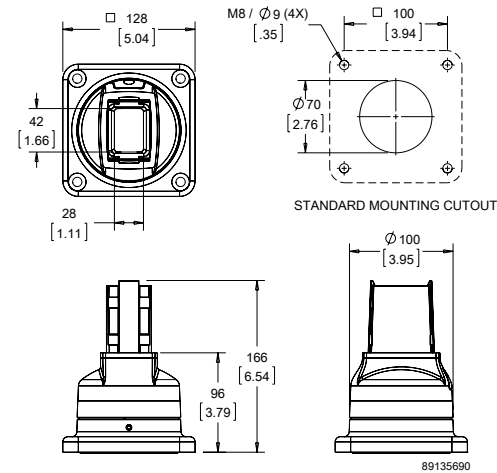
The rotatable base bracket allows the entire suspension system to rotate at the point of attachment on a horizontal surface. The arm can be rotated 300 degrees. Includes a safety stop and maintenance-free bearings. Die-cast aluminum construction. Includes installation instructions, gaskets, and tube setscrews. Surface mounting hardware not provided.

BULLETIN: CS5



MOUNTING OPTIONS SYSPEND 180-MAX

Catalog Number	Color	Weight (lb.)
S1MTBB	RAL 9005, Black	3.75

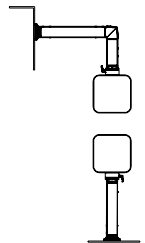


WALL FLANGE

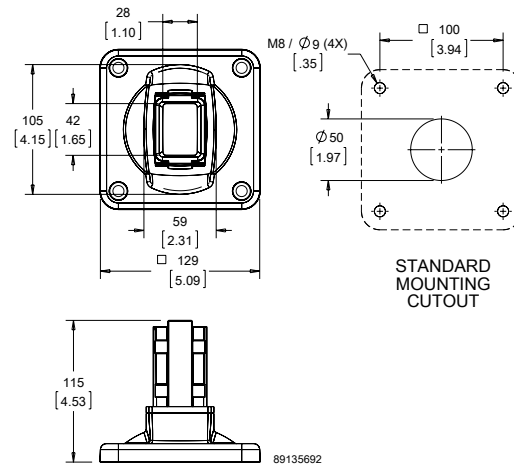


The wall flange allows for fixed positioning on a horizontal or vertical surface when rotation is not needed. Die-cast aluminum construction. Includes installation instructions, gaskets, and tube setscrews. Surface mounting hardware not provided.

BULLETIN: CS5



Catalog Number	Color	Weight (lb.)
S1MWF	RAL 9005, Black	2.00



MOUNTING OPTIONS SYSPEND 180-MAX

HORIZONTAL WALL JOINT

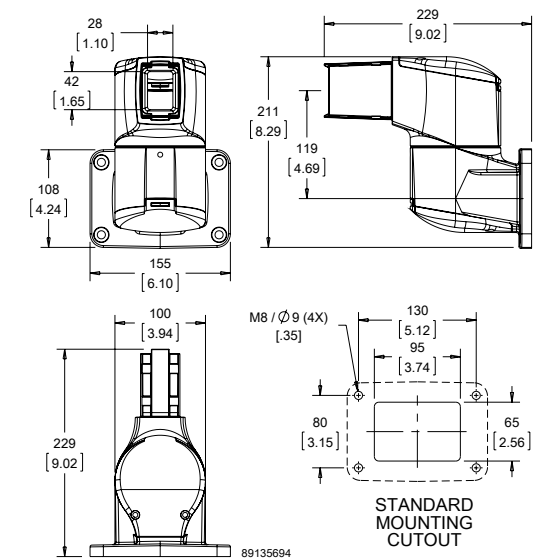


The horizontal wall joint mounts the suspension system to a vertical surface, allowing the tube to extend horizontally. The arm can be rotated 300 degrees. Includes a safety stop and maintenance-free bearings. Die-cast aluminum construction. Includes installation instructions, gaskets, and tube setscrews. Surface mounting hardware not provided.

BULLETIN: CS5



Catalog Number	Color	Weight (lb.)
S1MWJH	RAL 9005, Black	6.50

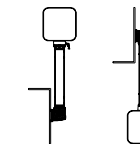


VERTICAL WALL JOINT

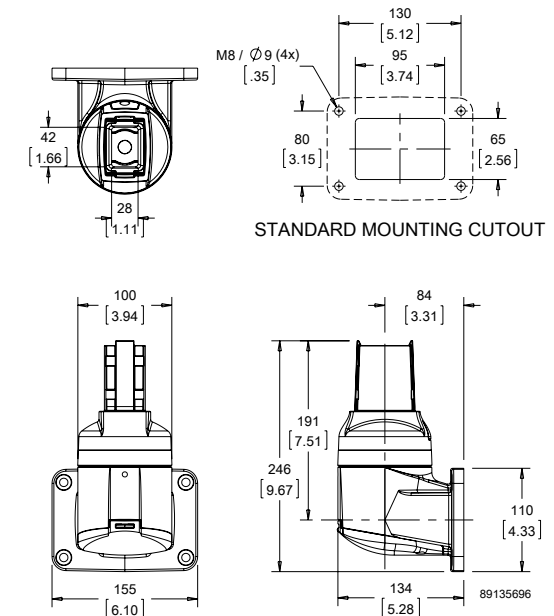


The vertical wall joint mounts the suspension system to a vertical surface, allowing the tube to extend vertically. The arm can be rotated 300 degrees. Includes a safety stop and maintenance-free bearings. Die-cast aluminum construction. Includes installation instructions, gaskets, and tube setscrews. Surface mounting hardware not provided.

BULLETIN: CS5



Catalog Number	Color	Weight (lb.)
S1MWJV	RAL 9005, Black	5.50



**SYSPEND 281-MAX SUSPENSION SYSTEM, TYPE 12**



**INDUSTRY STANDARDS**

Maintains NEMA Type 12 and IEC IP55 enclosure rating when properly installed per HOFFMAN instructions.

**APPLICATION**

Variability in system configuration, advanced design and ease of assembly are key requirements when specifying an enclosure suspension system. The Syspend 281-Max features a modern industrial design, excellent ergonomics and multiple component combinations for an innovative system solution on a modular platform. At 3.3 ft. (1 m) the system supports up to 281 lb. (127.7 kg).

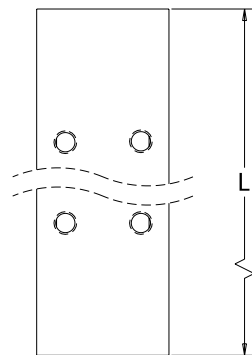
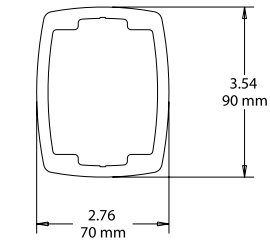
**TUBES**



Angled aluminum tubes provide structural integrity and act as conduit for equipment wiring. Tubes attach to system components with 6 setscrews on each end of the tube. (Setscrews are provided with the mating system components, not the tubes.) Setscrews allow for easy adjustment and leveling of the system. Setscrews are provided with Loctite to seal threaded holes and provide secure connections. Available in 8 standard lengths ranging from 250 mm to 2000 mm. Tubes 750 mm and longer include drilling template to assist with drilling and tapping the holes when the tube is cut to length.

**BULLETIN: CS4**

Catalog Number	L (in.)	Weight (lb.)
S2MT250	9.84	2.8
S2MT500	19.68	5.4
S2MT750	29.53	8.2
S2MT1000	39.37	11.0
S2MT1250	49.21	13.7
S2MT1500	59.05	16.5
S2MT1750	68.90	19.3
S2MT2000	78.74	22.0



87955755

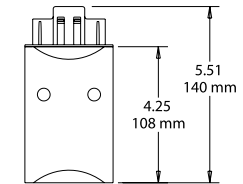
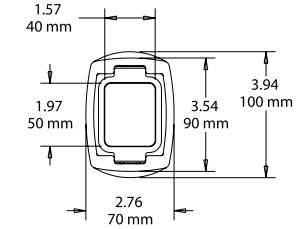
**TUBE ADAPTER**



Use a Tube Adapter when the tube is cut to length and it is not desirable to drill and tap new holes in the tube. Adapter attaches to the tube with internal setscrews and provides mounting holes at the end where the tube was cut. RAL 9005 black finish. Die-cast aluminum construction. Includes installation instructions, gasket and hardware for attaching to the tube.

**BULLETIN: CS4**

Catalog Number	Weight (lb.)
S2MTA	1.6



87955759



**TUBE HOLE PLUGS**



Plastic hole plugs cover up the set screws in the tubes. Kit includes 50 hole plugs. Hole plugs are not needed to maintain the suspension system's NEMA Type 12 rating but provide an attractive smooth finish for the tube. Gray RAL 9006 color.

**BULLETIN: CS4**

Catalog Number
S2MTHP

**ROTATION LIMITERS**



Rotation limiters can be retro-fit on coupling and joint components and are adjustable in increments of 13.7 degrees. Limits rotation of couplings and joints which normally rotate 300 degrees. Kit includes ten steel balls, plug and installation instructions.

**BULLETIN: CS4**

Catalog Number	Weight (lb.)
S2MRL	0.1

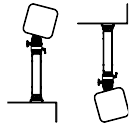
**ANGLED ADAPTER, STEPLESS 30 DEGREES**



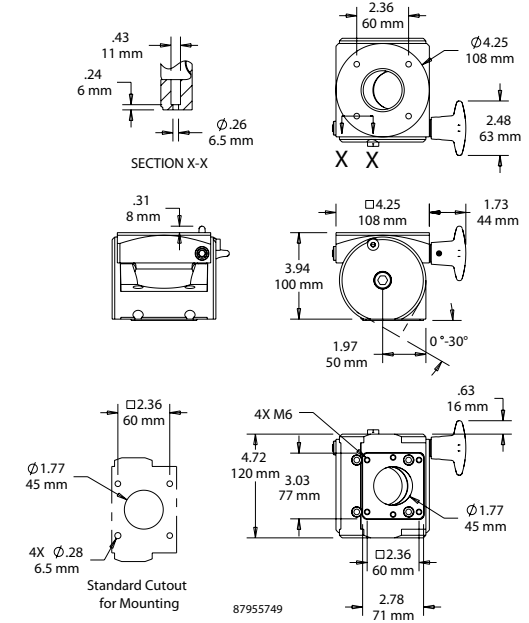
Angled Adapter must be used in conjunction with a coupling (not compatible with S2MFC48). Enclosure angle can be adjusted forward or backward up to 30 degrees. RAL 9005 black finish. Die-cast aluminum construction. Includes installation instructions, gasket and enclosure mounting hardware.

**Maximum load bearing capacity is 67 lb. (30.4 kg).**

**BULLETIN: CS4**



Catalog Number	Weight (lb.)
S2MAA	4.1

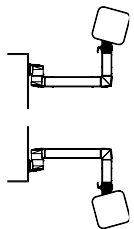


**ANGLED COUPLING TILTED FORWARD**

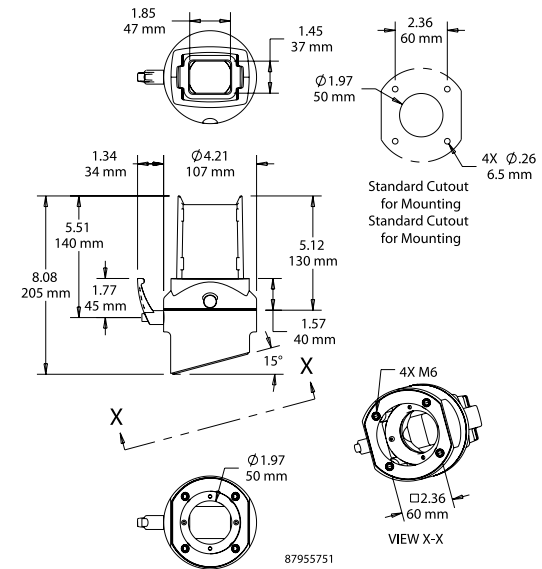


Use Angled Coupling Tilted Forward to mount enclosure at a 15-degree forward angle. Enclosure can be rotated 300 degrees and locked in position. Includes safety stop and maintenance-free bearing. RAL 9005 black finish. Die-cast aluminum construction. Includes installation instructions, gaskets, tube setscrews and enclosure mounting hardware.

**BULLETIN: CS4**



Catalog Number	Weight (lb.)
S2MACF	3.7



**BASE COUPLING**

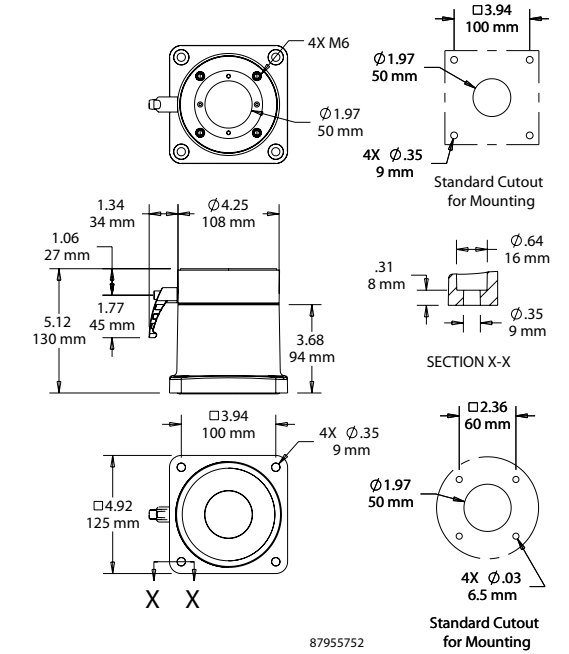


Base Coupling attaches the enclosure directly to a horizontal surface. Enclosure can be rotated 300 degrees and locked in position. Includes safety stop and maintenance-free bearing. RAL 9005 black finish. Die-cast aluminum construction. Includes installation instructions, gaskets and enclosure mounting hardware. Surface mounting hardware not provided.

**BULLETIN: CS4**



Catalog Number	Weight (lb.)
S2MBC	4.7

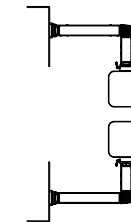


**ELBOW**

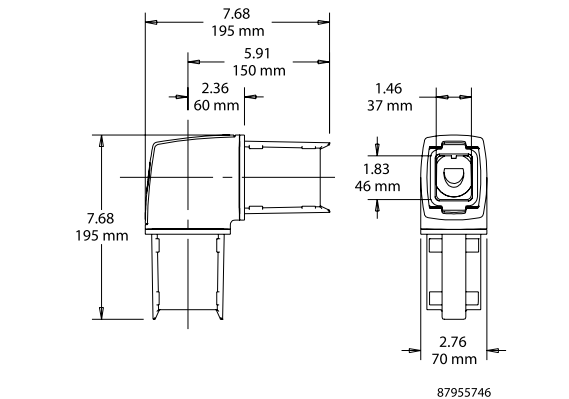


Elbow provides a 90-degree bend in the suspension system. RAL 9005 black finish. Die-cast aluminum construction. Includes removable cable access cover, installation instructions, gaskets and tube setscrews.

**BULLETIN: CS4**



Catalog Number	Weight (lb.)
S2ME	3.7

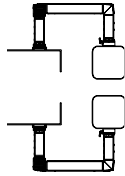


ROTATABLE ELBOW

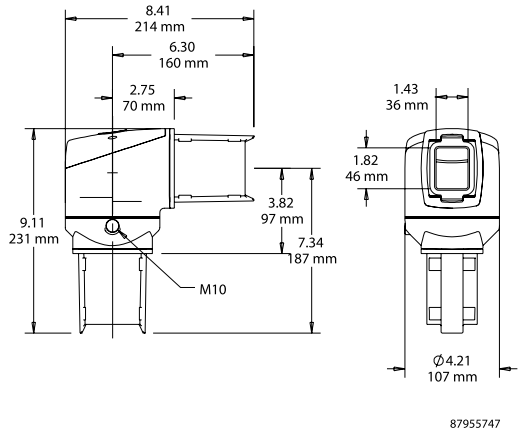


Rotatable elbow provides a 90-degree bend in the suspension system and allows the vertical tube to rotate 300 degrees. Includes safety stop and maintenance-free bearing. RAL 9005 black finish. Die-cast aluminum construction. Includes removable cable access cover, installation instructions, gaskets and tube setscrews.

BULLETIN: CS4



Catalog Number	Weight (lb.)
S2MER	5.4

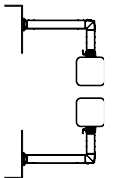


FLANGE COUPLING

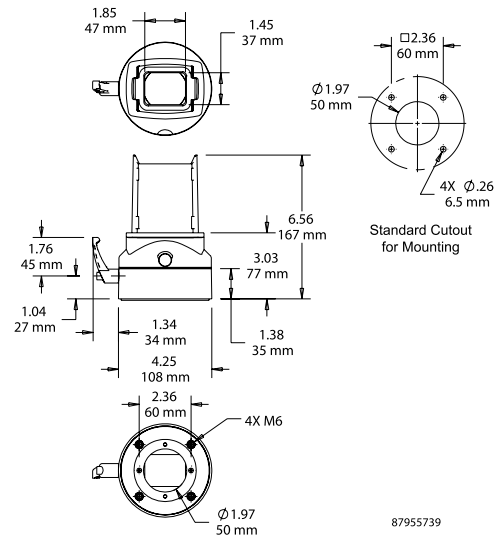


Flange Coupling attaches a tube to the enclosure, enabling 300-degree enclosure rotation. Enclosure can be locked in position. Flange Coupling has safety stop and maintenance-free bearing. RAL 9005 black finish. Die-cast aluminum construction. Includes installation instructions, gaskets, tube setscrews and enclosure mounting hardware.

BULLETIN: CS4



Catalog Number	Weight (lb.)
S2MFC	3.2

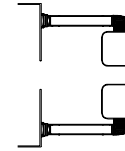


FLANGE ELBOW COUPLING

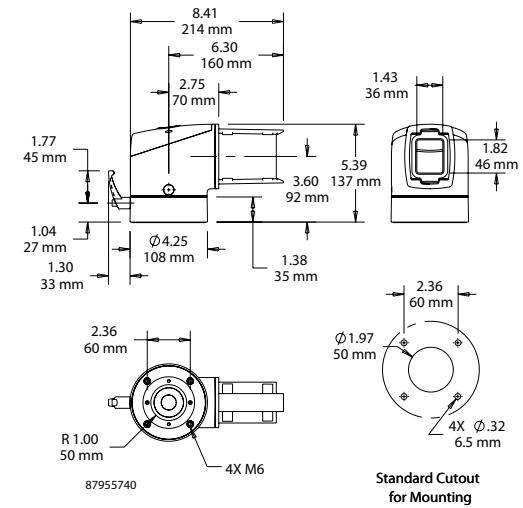


Flange Elbow Coupling attaches directly to the enclosure for applications where a vertical tube is not required. Enables enclosure to be rotated 300 degrees and locked in position. Includes safety stop and maintenance-free bearing. RAL 9005 black finish. Die-cast aluminum construction. Includes cable access cover, installation instructions, gaskets, tube setscrews and enclosure mounting hardware.

BULLETIN: CS4



Catalog Number	Weight (lb.)
S2MFEC	4.6



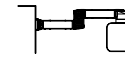
INTERMEDIATE JOINT



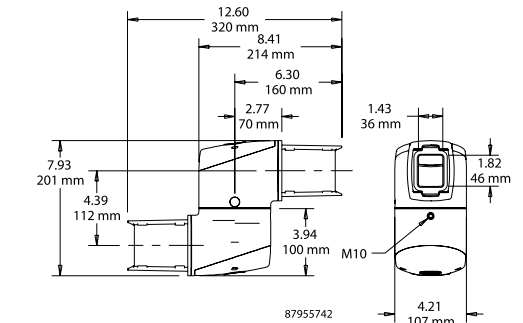
Use Intermediate Joint to join two horizontal tubes together for a longer run. Arm can be rotated or turned 300 degrees. Includes safety stop and maintenance-free bearing. RAL 9005 black finish. Die-cast aluminum construction. Includes two removable cable access covers, installation instructions, gaskets and tube setscrews.

*Use of the Intermediate Joint reduces the system load capacity to 179 lb. (81.2 kg) at 3.3 ft. (1 m).*

BULLETIN: CS4



Catalog Number	Weight (lb.)
S2MIJ	6.5

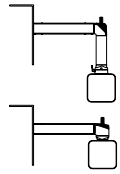


**LIGHT SIGNAL ADAPTER**

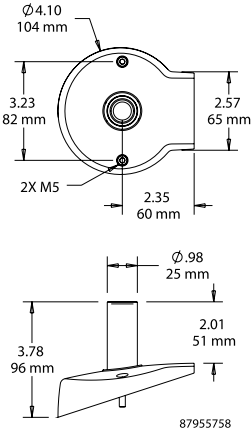


Light Signal Adapter is round and provides a means for attaching signal lights. Signal lights are not included. Gray composite cover caps include a gasket, attachment hardware and post and replace the caps provided with other system components.

**BULLETIN: CS4**



Catalog Number	Description	Weight (lb.)
S2MLSAR	Round Cover	0.3



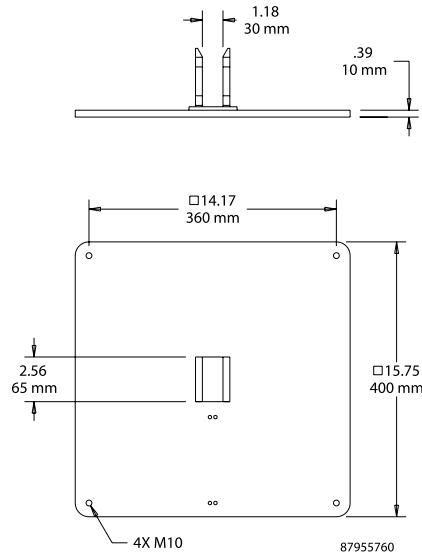
**SMALL PEDESTAL BASE**



Tubes attach directly to Small Pedestal Base. RAL 9005 black finish. Constructed from 3/8-in. thick steel plate. Includes installation instructions, cable ties and tube setscrews. Surface mounting hardware not provided. Compatible with accessory casters and levelers. *Supports loads per Load Rating Graph.*

**BULLETIN: CS4**

Catalog Number	Weight (lb.)
S2MPBS	29.1



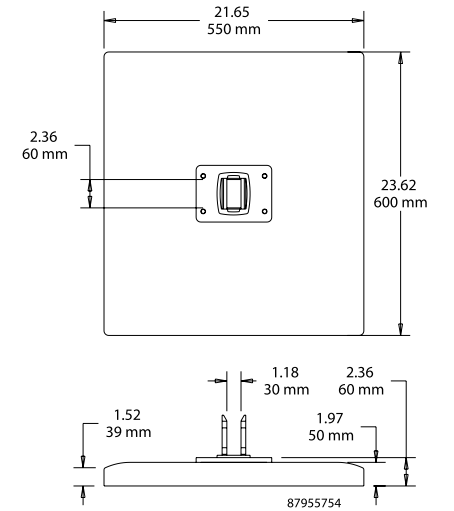
**LARGE PEDESTAL BASE**



Tubes attach directly to Large Pedestal Base. RAL 9005 black finish. Cast aluminum construction. Includes installation instructions and tube setscrews. Surface mounting hardware not provided. Compatible with accessory casters, levelers and bolt-down kit. *Supports loads per Load Rating Graph.*

**BULLETIN: CS4**

Catalog Number	Weight (lb.)
S2MPBL	25.7

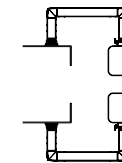


**ROTARY BASE**

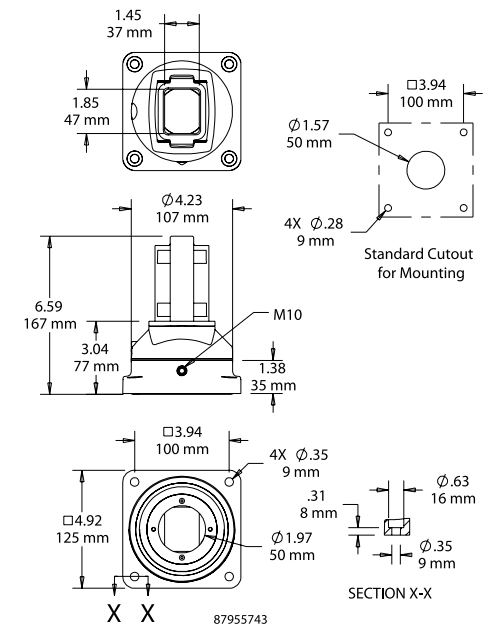


Rotary Base allows the entire suspension system to rotate at the point of attachment on a horizontal surface. Arm can be rotated or turned 300 degrees. Includes safety stop and maintenance-free bearing. RAL 9005 black finish. Die-cast aluminum construction. Includes installation instructions, gaskets and tube setscrews. Surface mounting hardware not provided.

**BULLETIN: CS4**



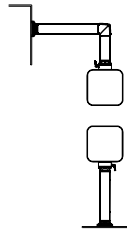
Catalog Number	Weight (lb.)
S2MRB	3.9



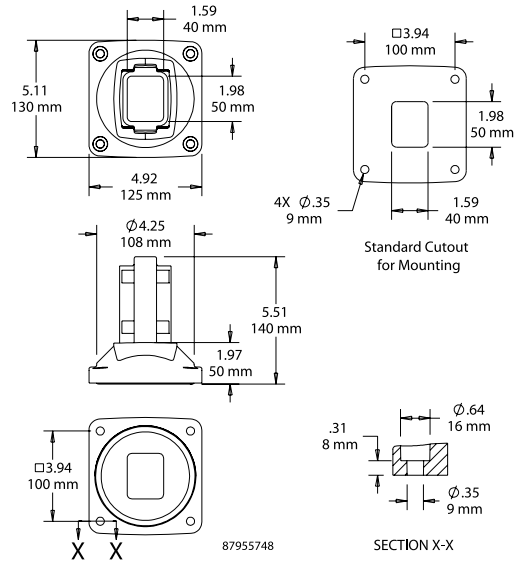


Wall Flange allows for fixed positioning on a horizontal or vertical surface when rotation is not needed. RAL 9005 black finish. Die-cast aluminum construction. Includes installation instructions, gaskets and tube setscrews. Surface mounting hardware not provided.

**BULLETIN: CS4**



Catalog Number	Weight (lb.)
S2MWF	2.8

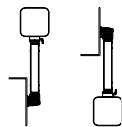


VERTICAL WALL JOINT

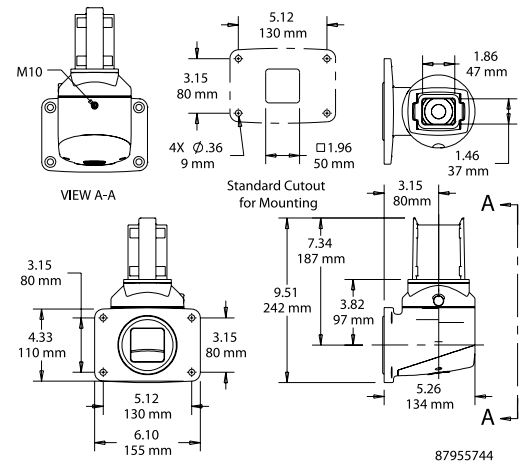


Vertical Wall Joint mounts suspension system to vertical surface and allows tube to extend vertically. Enables arm to be rotated or turned 300 degrees. Includes safety stop and maintenance-free bearing. RAL 9005 black finish. Die-cast aluminum construction. Includes removable cable access cover, installation instructions, gaskets and tube setscrews. Surface mounting hardware not provided.

**BULLETIN: CS4**



Catalog Number	Weight (lb.)
S2MWJV	5.4



HORIZONTAL WALL JOINT

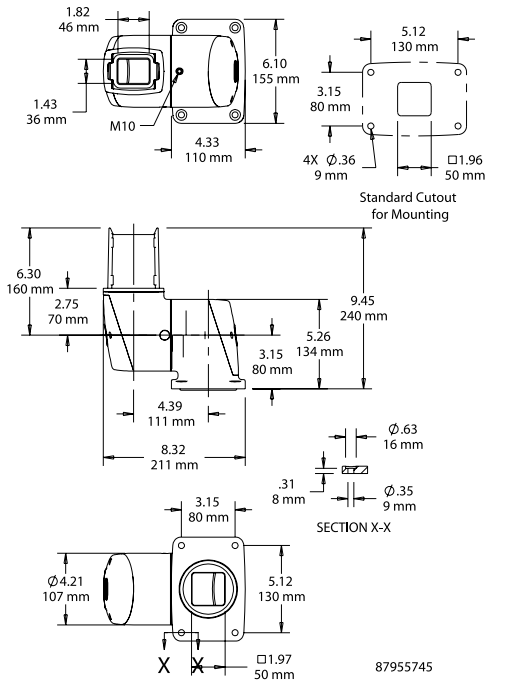


Horizontal Wall Joint mounts suspension system to vertical surface, allowing tube to extend horizontally. Arm can be rotated or turned 300 degrees. Includes safety stop and maintenance-free bearing. RAL 9005 black finish. Die-cast aluminum construction. Includes two removable cable access covers, installation instructions, gaskets and tube setscrews. Surface mounting hardware not provided.

**BULLETIN: CS4**



Catalog Number	Weight (lb.)
S2MWJH	6.4

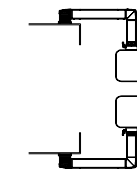


SET-UP JOINT

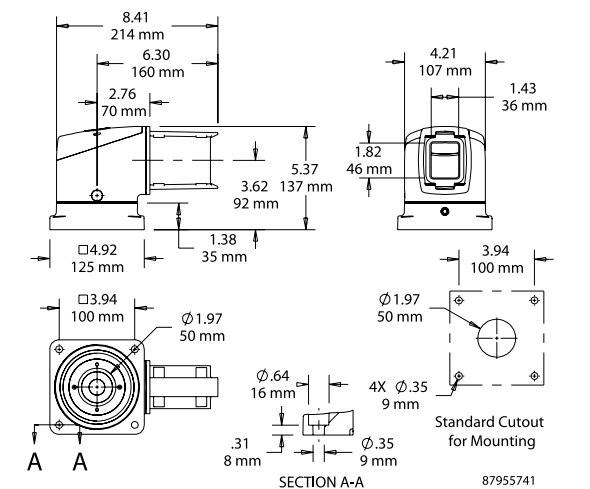


Set-Up Joint mounts suspension system to a horizontal surface. Arm can be rotated or turned 300 degrees. Includes safety stop and maintenance-free bearing. RAL 9005 black finish. Die-cast aluminum construction. Includes removable cable access cover, installation instructions, gaskets and tube setscrews. Surface mounting hardware not provided.

**BULLETIN: CS4**



Catalog Number	Weight (lb.)
S2MSJ	5.0



PEDESTALS



Pedestals enable many types of enclosures and boxes to be floor mounted. Columns can be mounted on either base, through the vertical column or directly to the enclosure. A cutout must be made in the enclosure if the wires are to come through the column.

Columns have flanges at each end and a gasketed access plate. Screws, oil-resistant gaskets and box connector fitting are furnished with each column for joining an enclosure to the top of the column. Columns are 14 gauge steel with 10 gauge flanges. 18.00 x 18.00-in. (457 x 457-mm) base is .19-in. (5-mm) steel and 24.00 x 24.00-in. (610 x 610-mm) base is .25-in. (6-mm) steel. Both bases have leveling screws and holes for bolting to the floor. Finish on bases and columns is ANSI 61 gray polyester powder coating over pretreated surfaces. Bases and columns must be ordered separately.

The user would normally remove the mounting brackets from the enclosure if the enclosure is mounted on a pedestal. HOFFMAN can supply enclosures without mounting brackets and with cutouts. Consult HOFFMAN for more information.

BULLETIN: P1

Catalog Number	Height (in.)	Width (in.)	Depth (in.)	Description
A44CCOL	35.00	4.00	4.00	Straight Pedestal Column
A44PCOL	41.00	4.00	4.00	Angled Pedestal Column
A66CCOL	35.00	6.00	6.00	Straight Pedestal Column
A18SBASE	18.00	18.00	--	Pedestal Base
A24SBASE	24.00	24.00	--	Pedestal Base

PEDESTAL WITH LEGS

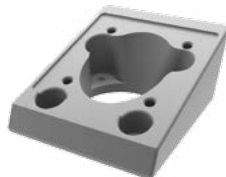


Pedestal is available in two heights. Vertical tube has rigid one-piece construction. Bottom of tube is open. Four sturdy, die-cast legs bolt to vertical tube. Legs have holes for bolting pedestal to the floor. Legs will accept casters in limited applications. Heavy-duty black polymer caps fit on ends of legs to cover bolts or levelers. Pedestal has ANSI 61 medium-gray or RAL 7035 textured light-gray polyester powder paint finish. Tapped mounting holes in the top of pedestal allow attachment to HMI base with cutout, swivel, swivel tilt or angle adapter. Hardware and gasket to attach enclosure are included.

BULLETIN: P1

Catalog Number	Height (in.)	Width (in.)	Depth (in.)
AP36L44	36.00	4.00	4.00
AP36L88	36.00	8.00	8.00

ANGLE ADAPTER

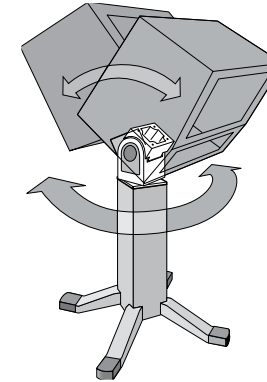


Angle Adapter fits top of pedestal and provides a fixed tilt of 15 degrees from horizontal for enclosure mounting. Angle Adapter is aluminum with large cable opening and has clear anodized aluminum finish. Mounting hardware is included.

BULLETIN: P1

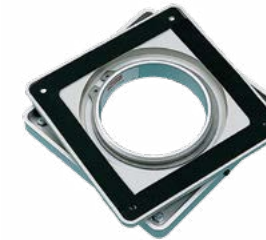
Catalog Number	Fits
AAA1544	4 x 4 pedestal

SWIVEL TILT



The use of a combination swivel and tilt mechanism allows a machine operator to rotate and also tilt an HMI enclosure for optimum viewing and safe operation. The Swivel Tilt is designed for use between the bottom of an HMI enclosure and a pedestal (enclosure reinforcement may be required). **Do not use the Swivel Tilt between an overhead support and an enclosure.**

SWIVEL



Catalog Number	Height (in.)	Width (in.)	Depth (in.)	Maximum Load Including Enclosure (lb.)
ASWV44	1.06	4.00	4.00	100
ASWV88	1.28	8.00	8.00	200

The loads listed assume that the additional load is centered on the front or back of the enclosure. Please contact HOFFMAN for specific application information.

HANDLES



The swivel feature allows maximum rotation of 350 degrees. Integral stops are provided at 30-degree increments between 60 degrees and 180 degrees of rotation. Swivel can be locked in any position. Tilt feature allows forward and backward movement up to 30 degrees from horizontal. Tilt lock has a large release knob that allows quick incremental adjustment. Top and bottom flanges allow easy installation on pedestals. A large center opening accommodates control cables that have attached plugs. Swivel Tilt is cast aluminum with an anodized finish. Mounting hardware and gaskets are furnished.

BULLETIN: P1

Catalog Number	Height (in.)	Width (in.)	Depth (in.)	Maximum Load Including Enclosure (lb.)
AST44	5.81	4.00	4.00	75
AST88	8.00	8.00	8.00	150

The loads listed assume that the additional load is centered on the front or back of the enclosure. Please contact HOFFMAN for specific application information.

A swivel mechanism can be used to provide a machine operator a way to easily rotate an operator interface enclosure to a convenient operating position. Maximum rotation is 350 degrees. The low-profile swivel has a large center opening in addition to a large, wobble-free bearing surface. Swivel mechanism can be locked in any position. The swivel mechanism is designed for use between the bottom of an operator interface enclosure and a pedestal. **Do not use the Swivel between an overhead support and an enclosure.**

The Swivel is cast aluminum with an anodized finish. Mounting hardware and gaskets are furnished. Integral stops are provided at 30-degree increments between 60 degrees and 180 degrees of rotation on catalog number ASWV88 only.

BULLETIN: P1

Catalog Number	Height (in.)	Width (in.)	Depth (in.)	Maximum Load Including Enclosure (lb.)
PUHKA	(2)	tubular steel handles with soft coating (9.75 in./248 mm)		

Handles attach to sides, top or bottom of sloped front to provide maximum operator control when using the suspension system, swivel or swivel tilt. Location dimples on the sides of sloped fronts indicate drill-hole location for standard mounting. Handles attach inside enclosure.

BULLETIN: P1

Catalog Number	Description
PUHKA	(2) tubular steel handles with soft coating (9.75 in./248 mm)



## CHAPTER CONTENT

### WIRE AND CABLE MANAGEMENT ..... 78



#### Lay-In NEMA Type 12

Lay-In Wireway, NEMA Type 12 .....	78
Straight Section .....	78
Telescope Fitting, Lay-In .....	78
90-Degree Elbows .....	79
Closure Plate .....	79
Bracket Hanger .....	79
Box Connector .....	80
Barrier Kit, Bolt-On .....	80
Barrier Kits, Bracket-Mounted .....	80
90-Degree Angle Sealing Plate .....	81
Quick-Release Flat Sealing Plate .....	81
Gasket and Screws .....	81



## CHAPTER 5 INDUSTRIAL WIREWAY



### Lay-In Wireway, NEMA Type 12

Used primarily in industrial applications to protect wiring against exposure to oil and other contaminants. This gasketed wireway features quick-release latches for easy access and an opening on one side so wires and cables can be laid in along the entire run without pulling.

## HOFFMAN on Demand

Please visit [hoffman.nvent.com](http://hoffman.nvent.com) for the entire HOFFMAN breadth of 15,000 products.



LAY-IN WIREWAY, NEMA TYPE 12



5

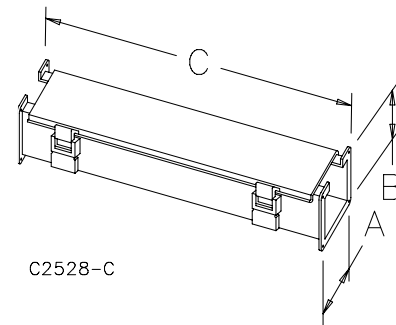
INDUSTRY STANDARDS

UL 870 Listed; File No. E27524  
 NEMA/EEMAC Type 12  
 JIC standards EGP-1-1967 and EMP-1-1967  
 CSA, File No. 42184, Type 1  
 IEC 60529, IP54

APPLICATION

Used primarily in industrial applications to protect wiring against exposure to oil and other contaminants. This gasketed wireway features quick-release latches for easy access and an opening on one side so wires and cables can be laid in along the entire run without pulling.

BULLETIN: F10



STRAIGHT SECTION

Available in lengths from 6.00 in. to 60.00 in.

BULLETIN: F10

Catalog Number	A x B x C (in.)
F44L06	4.00 x 4.00 x 6.00
F44L12	4.00 x 4.00 x 12.00
F44L24	4.00 x 4.00 x 24.00
F44L36	4.00 x 4.00 x 36.00
F44L48	4.00 x 4.00 x 48.00
F44L60	4.00 x 4.00 x 60.00

Each sealing plate also includes one gasket and one set of screws to join sections.

TELESCOPE FITTING, LAY-IN

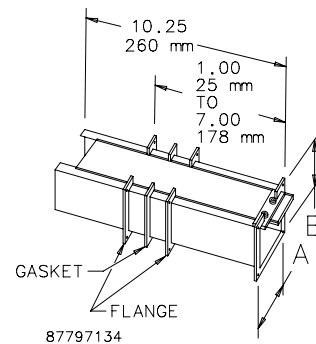


Length is easily adjustable from 1.00 in. to 7.00 in. No cutting or welding required.

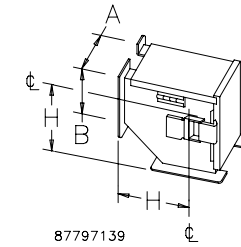
BULLETIN: F10

Catalog Number	A x B (in.)
F44LA	4.00 x 4.00

Each sealing plate also includes one gasket and one set of screws to join sections.



90-DEGREE ELBOWS



Lay-in wireway preserve the lay-in feature for right-angle installations.

BULLETIN: F10

Outside Opening

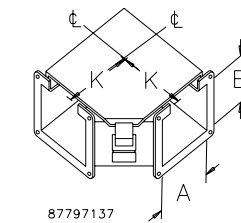
Catalog Number	A x B (in.)	H (in.)
F44LE9C	4.00 x 4.00	5.00

Each sealing plate also includes one gasket and one set of screws to join sections.

Top Opening

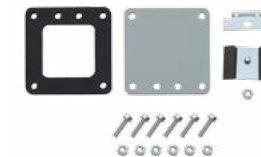
Catalog Number	A x B (in.)	K (in.)
F44LE9A	4.00 x 4.00	5.00

Each sealing plate also includes one gasket and one set of screws to join sections.



5

CLOSURE PLATE

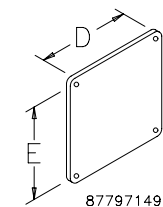


Used to seal the end of a wireway section or run.

BULLETIN: F10

Catalog Number	D (in.)	E (in.)
F44LP	5.38	5.38

Each sealing plate also includes one gasket and one set of screws to join sections.



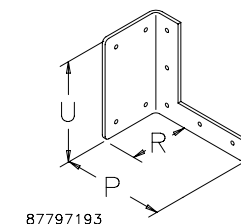
BRACKET HANGER



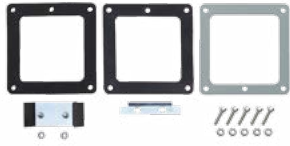
Hangers are used to support a wireway run. The bracket hanger can be used for wall, floor or ceiling installations.

BULLETIN: F20

Catalog Number	P (in.)	R (in.)	U (in.)
F44HB	6.12	3.62	5.88



**BOX CONNECTOR**



When wireway enters an enclosure, a box connector should be used on the inside of the enclosure to ensure a tight seal.

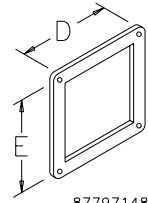
**BULLETIN: F10**

5

**WIRE AND CABLE MANAGEMENT LAY-IN NEMA TYPE 12**

Catalog Number	D (in.)	E (in.)
F44LB	5.38	5.38

Each sealing plate also includes one gasket and one set of screws to join sections.



87797148

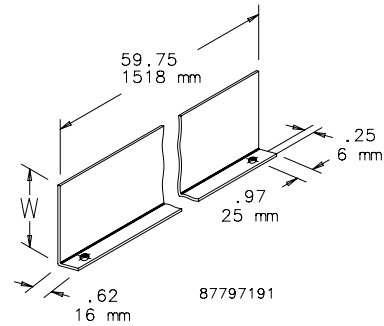
**BARRIER KIT, BOLT-ON**



Divides wireway into two or more compartments. Barriers are fastened to wireway sections with screws. Sealing washers are included.

**BULLETIN: F20**

Catalog Number	W (in.)
F44BK60	3.00



87797191

**BARRIER KITS, BRACKET-MOUNTED**

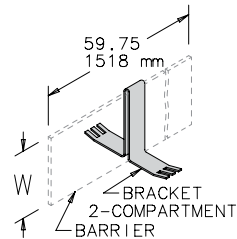


Spring steel brackets hold barriers in place by friction fit inside wireway. Order barrier and bracket separately. Recommended spacing in increments of 3 ft.

**BULLETIN: F10**

Catalog Number	W (in.)
F44BB2C	3.00

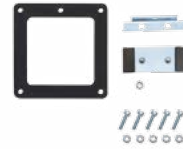
Package consists of five brackets.



87797154

**WIRE AND CABLE MANAGEMENT LAY-IN NEMA TYPE 12**

**90-DEGREE ANGLE SEALING PLATE**



Hanger is used to support a wireway run. Plate includes a flange gasket and flange screws, not shown in drawing.

**BULLETIN: F10**

**QUICK-RELEASE FLAT SEALING PLATE**



This exclusive HOFFMAN-designed hinged sealing plate permits quick and easy access to the wireway interior without using a tool.

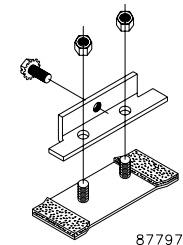
**BULLETIN: F10**

**GASKET AND SCREWS**



Catalog Number	Fits Height (in.)	Fits Width (in.)
F44LSAG	4.00	4.00

Each sealing plate also includes one gasket and one set of screws to join sections.



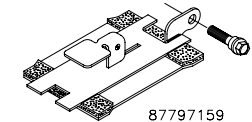
87797158



5

Catalog Number	A x B (in.)
F44LSGQR	4.00 x 4.00

Each sealing plate also includes one gasket and one set of screws to join sections.

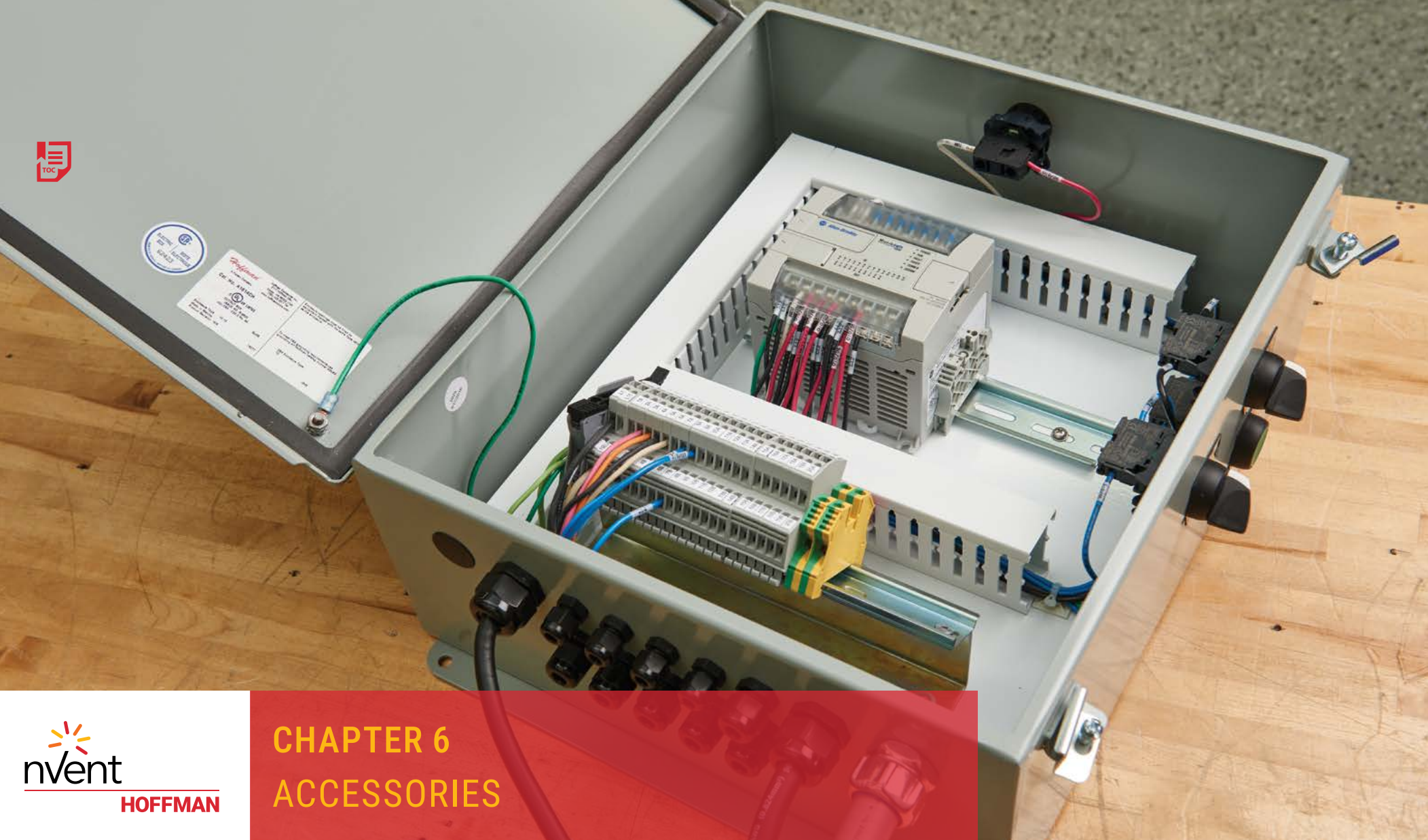


87797159

Standard packages of wireway contain one gasket and one set of screws to join sections, except Cross Fittings which contain three of each, Tee Fittings which contain two of each and Telescope Fittings which contain none. Additional gasket and screw sets may be ordered by catalog number.

**BULLETIN: F20**

Catalog Number
F44WG



## CHAPTER CONTENT

### ENCLOSURE PANELS ..... 84



#### Panels

Concept Panels .....	84
Panels for Junction Boxes .....	84
Panels for Type 3R, 4, 4X, 12 and 13 Enclosures .....	85
Panels for free-stand enclosures with mounting channel .....	86
Panel for Free-Stand Enclosure with Mounting Stud .....	87
Qline D Panels .....	87

### ENCLOSURE ACCESSORIES ..... 88

#### General

H2omit Vent Drains, Type 4X .....	88
Hol-Sealers Hole Seals .....	88
Floor Stand Kit .....	89
Mounting Bracket Kits .....	89
Thermoplastic Data Pocket .....	89
Keyed Cylinder Lock Kits .....	90
Clamp Kits .....	90
Remote Door Switch .....	90



## CHAPTER 6 ACCESSORIES



### Panels for Junction Boxes

Steel panels are 14 gauge, finished with white polyester powder paint or with a conductive, corrosion-resistant coating. Panel mounting hardware is furnished with all enclosures which accept these panels.



### Hol-Sealers Hole Seals

Seal extra pushbutton holes, conduit openings and knockout openings against dust, dirt, oil and water with HOFFMAN Hol-Sealers. Seals will cover many size or shaped holes. Can be used on enclosure walls up to .31-in. (8-mm) thick.

## HOFFMAN on Demand

Please visit [hoffman.nvent.com](http://hoffman.nvent.com) for the entire HOFFMAN breadth of 15,000 products.

CONCEPT PANELS



These panels are taller and wider than corresponding NEMA-size panels. Panels are 14 or 12 gauge steel and painted white or have a conductive finish. *Panels have a formed flange along any side that is longer than 22.20 in. (564 mm).*

BULLETIN: CWP

Catalog Number	Height (in.)	Width (in.)	Material
CP1212	10.2	10.2	Painted Steel
CP1212G	10.2	10.2	Galvanized
CP1612	14.2	10.2	Painted Steel
CP1612G	14.2	10.2	Galvanized
CP1616	14.2	14.2	Painted Steel
CP1616G	14.2	14.2	Galvanized
CP2016	18.2	14.2	Painted Steel
CP2016G	18.2	14.2	Galvanized
CP2020	18.2	18.2	Painted Steel
CP2020G	18.2	18.2	Galvanized
CP2416	22.2	14.2	Painted Steel
CP2416G	22.2	14.2	Galvanized
CP2420	22.2	18.2	Painted Steel
CP2420G	22.2	18.2	Galvanized

PANELS FOR JUNCTION BOXES



Steel panels are 14 gauge, finished with white polyester powder paint or with a conductive, corrosion-resistant coating. Panel mounting hardware is furnished with all enclosures which accept these panels.

BULLETIN: PNLJ, PNLWM

Catalog Number	Height (in.)	Width (in.)	Material
CP2424	22.2	22.2	Painted Steel
CP2424G	22.2	22.2	Galvanized
CP2442	22.2	40.2	Painted Steel
CP2442G	22.2	40.2	Galvanized
CP3024	28.2	22.2	Painted Steel
CP3024G	28.2	22.2	Galvanized
CP3030	28.2	28.2	Painted Steel
CP3030G	28.2	28.2	Galvanized
CP3060	28.2	58.2	Painted Steel
CP3060G	28.2	58.2	Galvanized
CP3624	34.2	22.2	Painted Steel
CP3624G	34.2	22.2	Galvanized
CP3630	34.2	28.2	Painted Steel
CP3630G	34.2	28.2	Galvanized
CP3636	34.2	34.2	Painted Steel
CP3636G	34.2	34.2	Galvanized
CP4230	40.2	28.2	Painted Steel
CP4230G	40.2	28.2	Galvanized
CP4236	40.2	34.2	Painted Steel
CP4236G	40.2	34.2	Galvanized
CP4836	46.2	34.2	Painted Steel
CP4836G	46.2	34.2	Galvanized
CP6036	58.2	34.2	Painted Steel
CP6036G	58.2	34.2	Galvanized

Catalog Number	Height (in.)	Width (in.)	Material
A6P4	4.88	2.88	Painted Steel
A6P4G	4.88	2.88	Galvanized
A6P6	4.88	4.88	Painted Steel
A6P6G	4.88	4.88	Galvanized
A8P6	6.75	4.88	Painted Steel
A8P6G	6.75	4.88	Galvanized
A8P8	6.75	6.88	Painted Steel
A8P8G	6.75	6.88	Galvanized
A10P10	8.75	8.88	Painted Steel
A10P10G	8.75	8.88	Galvanized
A10P8	8.75	6.88	Painted Steel
A10P8G	8.75	6.88	Galvanized
A12P10	10.75	8.88	Painted Steel
A12P10G	10.75	8.88	Galvanized
A12P12	10.75	10.88	Painted Steel
A12P12G	10.75	10.88	Galvanized
A14P12	12.75	10.88	Painted Steel
A14P12G	12.75	10.88	Galvanized
A16P14	14.75	12.88	Painted Steel
A16P14G	14.75	12.88	Galvanized
A18P16	16.75	14.88	Painted Steel

PANELS FOR TYPE 3R, 4, 4X, 12 AND 13 ENCLOSURES



Steel panels are 11 or 12 gauge, finished with white polyester powder paint or a conductive, corrosion-resistant coating. Larger panels have flanges on two or four sides. Some larger steel panels are 11 gauge and include extra holes for panel lifting. Panel mounting hardware is furnished with all enclosures which accept these panels.

BULLETIN: PNLWM, PNLFS

Catalog Number	Height (in.)	Width (in.)	Material
A16P12	14.75	10.88	Painted Steel
A16P12G	14.75	10.88	Galvanized
A16P16	13	13	Painted Steel
A16P16G	13	13	Galvanized
A20P16	17	13	Painted Steel
A20P16G	17	13	Galvanized
A20P20	17	17	Painted Steel
A20P20G	17	17	Galvanized
A24P16	21	13	Painted Steel
A24P16G	21	13	Galvanized
A24P20	21	17	Painted Steel
A24P20G	21	17	Galvanized
A24P24	21	21	Painted Steel
A24P24G	21	21	Galvanized
A30P24	27	21	Painted Steel
A30P24G	27	21	Galvanized

Catalog Number	Height (in.)	Width (in.)	Material
A30P30	27	27	Painted Steel
A30P30G	27	27	Galvanized
A36P24	33	21	Painted Steel
A36P24G	33	21	Galvanized
A36P30	33	27	Painted Steel
A36P30G	33	27	Galvanized
A36P36	33	33	Painted Steel
A36P36G	33	33	Galvanized
A42P24	39	21	Painted Steel
A42P24G	39	21	Galvanized
A42P30	39	27	Painted Steel
A42P30G	39	27	Galvanized
A42P36	39	33	Painted Steel
A42P36G	39	33	Galvanized
A48P36	45	33	Painted Steel
A48P36G	45	33	Galvanized
A48P48	44	44	Painted Steel
A48P48G	44	44	Galvanized
A60BFP42	56	38	Painted Steel
A60BFP42G	56	38	Galvanized
A60P36	57	33	Painted Steel
A60P36G	57	33	Galvanized
A60P48	56	44	Painted Steel
A60P48G	56	44	Galvanized
A60P60	56	56	Painted Steel
A60P60G	56	56	Galvanized
A72P36	69	33	Painted Steel
A72P36G	69	33	Galvanized
A72P60	68	56	Painted Steel
A72P60G	68	56	Galvanized
A72P72	68	68	Painted Steel
A72P72G	68	68	Galvanized



PANELS FOR FREE-STAND ENCLOSURES WITH MOUNTING CHANNEL



Panels are 12 gauge steel and can be positioned anywhere along horizontal mounting channels. Panels are full length and finished with white polyester powder paint or a conductive, corrosion-resistant coating and furnished with plated mounting hardware.

BULLETIN: PNL30

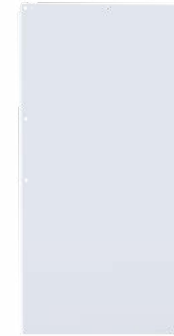
Catalog Number	Height (in.)	Width (in.)	Material	Full or Half	Enclosure Height (in.)	Enclosure Width (in.)
A60P36F1	48	32	Painted Steel	Full	60	36
A60P36F1G	48	32	Galvanized	Full	60	36
A72P24F1	60	20	Painted Steel	Full	72	24
A72P24F1G	60	20	Galvanized	Full	72	24
A72P30F1	60	26	Painted Steel	Full	72	30
A72P30F1G	60	26	Galvanized	Full	72	30
A72P36F1	60	32	Painted Steel	Full	72	36
A72P36F1G	60	32	Galvanized	Full	72	36
A72P48F1	60	44	Painted Steel	Full	72	48
A72P48F1G	60	44	Galvanized	Full	72	48
A72P60F1	60	56	Painted Steel	Full	72	60
A72P60F1G	60	56	Galvanized	Full	72	60
A72P72F1	60	68	Painted Steel	Full	72	72
A72P72F1G	60	68	Galvanized	Full	72	72
A90P36F1	78	32	Painted Steel	Full	90	36
A90P36F1G	78	32	Galvanized	Full	90	36
A90P48F1	78	44	Painted Steel	Full	90	48
A90P48F1G	78	44	Galvanized	Full	90	48
A90P72F1	78	68	Painted Steel	Full	90	72
A90P72F1G	78	68	Galvanized	Full	90	72

Side-Mount Panels

Catalog Number	Height (in.)	Width (in.)	Material	Enclosure Height (in.)
A72SMP14	60	14	Painted Steel	72
A72SMP20	60	20	Painted Steel	72
A90SMP14	78	14	Painted Steel	90

6

PANEL FOR FREE-STAND ENCLOSURE WITH MOUNTING STUD

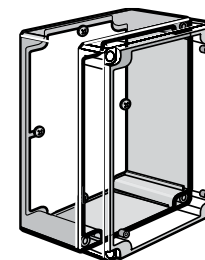


Panels are 11 gauge steel with .80-in. (20-mm) flanges on four sides. Finish is white polyester powder paint or a conductive, corrosion-resistant coating. Two extra holes are provided for lifting and installing panels. Mounting hardware included with enclosure.

BULLETIN: PNLFS

Catalog Number	Height (in.)	Width (in.)	Material	Enclosure Height (in.)	Notes
A72PM34	60	27.75	Painted Steel	72	—
A72PM34G	60	27.75	Galvanized	72	—
A72PM40	60	33.75	Painted Steel	72	—
A72PM40G	60	33.75	Galvanized	72	—
A72PM54	60	48	Painted Steel	72	—
A72PM54G	60	48	Galvanized	72	—
A72PM66	60	60	Painted Steel	72	—
A72PM66G	60	60	Galvanized	72	—
A72PM78	60	72	Painted Steel	72	—
A72PM78G	60	72	Galvanized	72	—
A84PM40	72	33.75	Painted Steel	84	—
A84PM40G	72	33.75	Galvanized	84	—
A84PM78	72	72	Painted Steel	84	—
A84PM78G	72	72	Galvanized	84	—
A90PM40	78	33.75	Painted Steel	90	—
A90PM40G	78	33.75	Galvanized	90	—
A90PM78	78	72	Painted Steel	90	—
A90PM78G	78	72	Galvanized	90	—

QLINE D PANELS



BULLETIN: Q41Y

Catalog Number	Height (in.)	Width (in.)
Q88PD	2.56	2.17
Q1612PD	5.20	4.13

6

**H2OMIT VENT DRAINS, TYPE 4X**



**INDUSTRY STANDARDS**

Maintains UL/cUL Type 4, 4X rating when properly installed on a UL/cUL Type 4 or 4X enclosure.

UL 508A Listed; Type 4, 4X; File No. E61997  
cUL Listed per CSA C22.2 No 94; Type 4, 4X; File No. E61997

NEMA/EEMAC Type 4, 4X  
IEC 60529, IP66

**APPLICATION**

H2omit Vent Drains allow accumulated water to drain out the bottom of an enclosure. The UL-approved vent drains also function as an air pressure equalizer, reducing the harmful effects of temperature-induced vacuums that could pull water and moisture into the enclosure.

**BULLETIN: H2O**

Catalog Number	Description
AVDR4NM	Non-metallic vent drain
AVDR4SS4	Stainless steel vent drain

**HOL-SEALERS HOLE SEALS**



**INDUSTRY STANDARDS**

**Steel Hole Seals**

UL 508A Component Recognized; Type 3R, 4, 12, 13; File No. E61997

CSA File No. 42186; Type 3R, 4, 12, 13  
NEMA/EEMAC Type 3R, 4, 12, 13  
IEC 60529, IP66

**Stainless Steel Hole Seals**

UL 508A Component Recognized; Type 3R, 4, 4X, 12, 13; File No. E61997

CSA File No. 42186; Type 3R, 4, 4X, 12, 13  
NEMA/EEMAC Type 3R, 4, 4X, 12, 13  
IEC 60529, IP66

**APPLICATION**

Seal extra pushbutton holes, conduit openings and knockout openings against dust, dirt, oil and water with HOFFMAN Hol-Sealers. Can be used on enclosure walls up to .31-in. (8-mm) thick.

**BULLETIN: A80HS**

Catalog Number	Description	Material
AS050	½" Conduit Hole Seal	Painted Steel
AS050SS	½" Conduit Hole Seal	Stainless Steel
AS075	¾" Conduit Hole Seal	Painted Steel
AS075SS	¾" Conduit Hole Seal	Stainless Steel
AS100	1" Conduit Hole Seal	Painted Steel
AS150	1.5" Conduit Hole Seal	Painted Steel
AS200	2" Conduit Hole Seal	Painted Steel

**FLOOR STAND KIT**



**INDUSTRY STANDARDS**

Product maintains UL/CSA Type 12 when properly installed on HOFFMAN Type 4 or Type 12 enclosures.

**APPLICATION**

Kits are easily installed on most wall-mount HOFFMAN enclosures. Can also be used to elevate HOFFMAN free-stand enclosures.

To install, drill holes in the bottom of the enclosure and bolt the floor stands to the enclosure. It is not necessary to remove the wall-mount brackets from the enclosure.

**BULLETIN: A80**

Catalog Number	Height (in.)	Width (in.)	Length (in.)	Material
AFK0618	6	18	7	Steel
AFK1212	12	12	8	Steel
AFK1216	12	16	8	Steel
AFK2412	24	12	10	Steel

**MOUNTING BRACKET KITS**



Mounting-Bracket Kits are field installable. Stainless steel brackets are rated to Type 4X. Set of four (4) brackets can support 500 lb. (227 kg) maximum load. All hardware is included. Four brackets per kit. *Mounting brackets are required to maintain UL/CSA external mounting requirement.*

**BULLETIN: A80**

Catalog Number	Description
CMFK	Mild Steel Mounting Foot Kit
CMFKSS	Stainless Steel Mounting Foot Kit

**THERMOPLASTIC DATA POCKET**



Provides a convenient place to store wiring diagrams, operation manuals and other documentation inside the enclosure. Adhesive-backed pockets mount inside the solid enclosure cover. Mounting hardware included. Thermoplastic pockets are dark gray and have cut-away areas for easy inspection of contents.

**BULLETIN: A80DP**

Catalog Number	Description
ADP1	Thermoplastic Data Pocket, 6 in. x 6 in.
ADP2	Large Thermoplastic Data Pocket, 12 in. x 12 in.

**KEYED CYLINDER LOCK KITS**



To install, simply remove the standard slotted latch and insert the kit. Complete installation instructions are furnished. Catalog number includes a Type L12 cylinder lock, cam and all hardware. Latch and lock fit Type 1 enclosures and hinged-cover pull boxes.

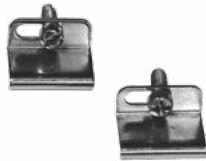
**BULLETIN: A80**

Catalog Number	Description
AL12AR	Keyed Cylinder Lock Kit, Type 1

Notes



**CLAMP KITS**



These kits provide replacement clamps for clamp-cover junction boxes. Each kit contains two clamps and all mounting hardware.

**BULLETIN: A80**

Catalog Number	Description
AL18	Clamp Kit, Stainless Steel, For Use With A51 Junction Boxes

6

6

**REMOTE DOOR SWITCH**



The remote door switch can activate a light or other electrical component when the enclosure door is opened. It mounts on enclosure frame and includes mounting hardware. The mounting plate is 14 gauge steel with a plated finish. It also can be hard-wired to the Panelite LED or Fluorescent light or connected via the Panelite Door Switch Cable.

**BULLETIN: A80LT**

Catalog Number	Description
ALFSWD	Remote Door Switches, Activates a Light or Electrical Component When the Door Opens



## CHAPTER CONTENT

### SEALED ENCLOSURE COOLING..... 94



#### Air Conditioners

SpectraCool Indoor .....	94
SpectraCool Compact Indoor .....	95
SpectraCool Narrow Indoor .....	95
T-Series Compact Outdoor .....	96
Easy Swap Adaptor Plenums For Air Conditioners .....	96

### FRESH AIR ENCLOSURE COOLING ..... 97

#### Filter Fans

HF Side-Mount Filter Fans .....	97
---------------------------------	----

#### Heaters

Electric Heaters .....	98
------------------------	----



## CHAPTER 7 THERMAL MANAGEMENT



#### SpectraCool Indoor/Outdoor

SpectraCool Air Conditioners deliver reliable enclosure cooling in demanding environments, including industrial automation, telecommunications, waste water treatment, material handling, security and defense systems. These Air Conditioners are available in three configurations that offer a broad range of cooling capacities.



#### HF Side-Mount Filter Fans

Filter Fans cool a wide range of heat loads in applications ranging from industrial drives to process equipment and controls. More than 175 models, Type 12, Type 3R and Type 1 options available.

## HOFFMAN on Demand

Please visit [hoffman.nvent.com](http://hoffman.nvent.com) for the entire HOFFMAN breadth of 15,000 products.



SPECTRACOOL INDOOR



G57 20000 BTU/Hr. 5861 Watt  
 G52 8000/12000 BTU/Hr. 2300/3500 Watt  
 G28 4000/6000 BTU/Hr. 1172/1758 Watt

INDUSTRY STANDARDS

UL/cUL Listed; Type 12, 3R, 4; File No. SA6453

CE  
 EAC  
 IP 56 Internal Loop  
 IP 34 on External Loop

APPLICATION

- Painted RAL 7035 galvanized Sheet-metal cover for rugged factory environment
- Dust-resistant condenser coil allows for filterless operation
- Cleanable, reusable aluminum mesh filter included
- Active condensate management with heater strip
- Power-off relay for door switch
- Malfunction switch
- Mechanical Thermostat

Catalog Number	BTU	Voltage (AC)
G280416G050	4000	115
G280426G050	4000	230
G280446G050	4000	400/460
G280616G050	6000	115
G280626G050	6000	230
G280646G050	6000	400/460
G520816G050	8000	115
G520826G050	8000	230
G520846G050	8000	400/460
G521216G050	12000	115
G521226G050	12000	230
G521246G050	12000	400/460
G572046G050	20000	400/460

Reference <http://hoffman.nvent.com/en/hoffman/SpectraCool-Indoor-Outdoor/> to verify capacity curves in spec sheet located in "Downloads" tab.

SPECTRACOOL COMPACT INDOOR



INDUSTRY STANDARDS

UL/cUL Listed; Type 12; File No. SA6453

CE  
 IP 54 Internal Loop  
 IP 34 External Loop  
 EAC

Telcordia GR-487 capable  
 Reference performance data tables for agency approvals applied to each model.

APPLICATION

- Narrow design accommodates 12-in. deep cabinets
- Painted RAL 7035 galvanized Sheet-metal cover for rugged factory environment
- Dust-resistant condenser coil allows for filterless operation
- Cleanable, reusable aluminum mesh filter included
- Active condensate management with heater strip
- Power-off relay for door switch
- Malfunction switch
- Mechanical Thermostat

Catalog Number	BTU	Voltage (AC)
N170116G010	1000	115
N170126G010	1000	230
N170146G010	1000	400/460
N170216G010	2000	115
N170226G010	2000	230
N170246G010	2000	400/460

Reference <http://hoffman.nvent.com/en/hoffman/SpectraCool-Compact-Indoor/> to verify capacity curves in spec sheet located in "Downloads" tab.

SPECTRACOOL NARROW INDOOR



N43 11000 BTU/Hr. 3223 Watt  
 N36 6000/8000 BTU/Hr. 1758/2344 Watt  
 N28 4000 BTU/Hr. 1172 Watt

INDUSTRY STANDARDS

UL/cUL Listed; Type 12, 3R, 4; File No. SA6453

CE  
 IP 56 Internal Loop  
 IP 34 on External Loop

APPLICATION

- Narrow design accommodates 12-in. deep cabinets
- Painted RAL 7035 galvanized Sheet-metal cover for rugged factory environment
- Dust-resistant condenser coil allows for filterless operation
- Cleanable, reusable aluminum mesh filter included
- Active condensate management with heater strip
- Power-off relay for door switch
- Malfunction switch
- Mechanical Thermostat

Catalog Number	BTU	Voltage (AC)
N280416G050	4000	115
N360616G050	6000	115
N360646G050	6000	400/460
N360846G050	8000	400/460
N431246G050	12000	400/460

Reference <http://hoffman.nvent.com/en/hoffman/SpectraCool-Narrow-Indoor-Outdoor/> to verify capacity curves in spec sheet located in "Downloads" tab.

T-SERIES COMPACT OUTDOOR



**T15**  
800 BTU/Hr.  
234 Watts

**T20**  
2000 BTU/Hr.  
586 Watts

Catalog Number	BTU	Voltage (AC)	Heater Option
T150116G100	800	115	Without Heat
T150116G150	800	115	With Heat
T200216G100	2000	115	Without Heat
T200216G150	2000	115	With Heat
T200226G100	2000	230	Without Heat

Reference <http://hoffman.nvent.com/en/hoffman/T-Series-Compact-Outdoor/> to verify capacity curves in spec sheet located in "Downloads" tab.

INDUSTRY STANDARDS

UL/cUL Listed; Type 12, 3R, 4; File No. SA6453

CE  
EAC  
Telcordia GR-487 capable

APPLICATION

- Painted RAL 7035 galvanized Sheet-metal cover for rugged outdoor environments
- Dust-resistant condenser coil allows for filterless operation
- Cleanable, reusable aluminum mesh filter included
- Malfunction switch
- Compressor heater
- Head pressure control
- Mechanical thermostat
- Heater packages include 150w heater
- Outdoor operating temperature range from -40F/-40C to 131F/55C

EASY SWAP ADAPTOR PLENUMS FOR AIR CONDITIONERS



7

INDUSTRY STANDARDS

Maintains NEMA Type 12 rating when properly installed on a Type 12 enclosure.

NEMA Type 12  
IP 54

APPLICATION

When existing air conditioners are damaged or have reached end-of-life, Easy Swap Adaptor Plenums provide a quick and easy means for attaching newer HOFFMAN air conditioners to the cutout left on the enclosure

Catalog Number	Description
PLM28G28	Plenum adapter to replace M28 with G28
PLM28N17	Plenum adapter to replace M28 with N17
PLM13N17	Plenum adapter to replace M13 with N17

HF SIDE-MOUNT FILTER FANS



INDUSTRY STANDARDS

UL/cUL Listed; File No. E482010

CE  
EAC  
Type 12 standard on all models  
IP54 standard on all options except HF13

APPLICATION

- Click-fit design for fast installation; no tools or screws required
- Terminal block connections
- Hinged grille stays attached for easy filter replacement
- RAL7035 light-gray UV-resistant plastic standard
- Service life hours from 40,000 to 100,000 hours
- Operating temperature range from -4F/-20C to 149F/65C



Filter Fans

Catalog Number	Free Air Flow (CFM / m <sup>3</sup> /hr.)	Voltage
HF0416414	21 / 36	115 VAC
HF0424414	21 / 36	24 VDC
HF0426414	21 / 36	230 VAC
HF0516414	35 / 59	115 VAC
HF0524414	35 / 59	24 VDC
HF0526414	35 / 59	230 VAC
HF0916414	70 / 119	115 VAC
HF0924414	70 / 119	24 VDC
HF0926414	70 / 119	230 VAC
HF1016414	159 / 270	115 VAC
HF1024414	159 / 270	24 VDC
HF1026414	159 / 270	230 VAC
HF1316414	395 / 671	115 VAC
HF1316424	484 / 822	115 VAC
HF1324414	395 / 671	24 VDC
HF1326414	395 / 671	230 VAC
HF1326424	484 / 822	230 VAC

Filter Fan Exhaust Grilles

Catalog Number	Description
HG0400404	HG04 Exhaust Grille
HG0500404	HG05 Exhaust Grille
HG0900404	HG09 Exhaust Grille
HG1000404	HG10 Exhaust Grille
HG1300404	HG13 Exhaust Grille

HF Filter Fans Replacement Filters

Catalog Number	Fits Fan Packages	IP Rating
89134423R	All HF04 Models	
89134424R	All HF05 Models	IP54
89134425R	All HF09 Models	IP54
89134426R	All HF10 Models	IP54
89134427R	All HF13 Models	IP54
89136408R	All HF05 Models	IP55
89136409R	All HF09 Models	IP55
89136410R	All HF10 Models	IP55
89136411R	All HF13 Models	IP55

7

**ELECTRIC HEATERS**



**INDUSTRY STANDARDS**

UL 508A Component Recognized; File No. E61997

CSA Certified, CSA File No. LR42186  
CE

**APPLICATION**

Protect mechanical, electrical and electronic equipment from low temperatures, condensation and corrosion with this thermostatically controlled, fan-driven heater that maintains a stable enclosure temperature. Fan draws cool air from the bottom of the enclosure and passes this air across the thermostat and heating element before being released into enclosure cavity. Heated air is discharged through the top of the heater unit.

**CAUTION**

These electric heaters are not designed for use in dusty, dirty, corrosive, or hazardous locations. Portions of the heater can get hot. Adequate protection must be taken to protect people from potential burns, and to protect other components from this heat. nVent recommends this heater only be installed in a totally-enclosed metal enclosure.

**DO NOT INSTALL HEATERS ON WOOD PANELS.**  
Heat sensitive components should not be placed near the heater discharge area since this air can be quite warm. The clearance range defines the space that must be kept free of these components for proper and safe operation of the heater.

Catalog Number	Watts	Voltage (AC)
DAH1001A	100	100 - 120
DAH1002A	100	200 - 250
DAH2001A	200	100 - 120
DAH2002A	200	200 - 250
DAH4001B	400	100 - 120
DAH4002B	400	200 - 250
DAH8001B	800	100 - 120
DAH8002B	800	200 - 250
DAH13001C	1300	100 - 120
DAH13002C	1300	200 - 250

**Notes**



Catalog Number	Catalog Page	Catalog Number	Catalog Page
89134423R	97	A1212CHNF	15
89134424R	97	A1212CHNFSS	22
89134425R	97	A1212CHNFSS6	22
89134426R	97	A1212SC	16
89134427R	97	A14P12	84
89136408R	97	A14P12G	84
89136409R	97	A1412CH	15
89136410R	97	A1412CHNF	15
89136411R	97	A1412CHNFSS	22
A10P10	84	A1412CHNFSS6	22
A10P10G	84	A1412SC	16
A10P8	84	A14128CH	15
A10P8G	84	A14128CHFL	16
A1008CH	15	A14128CHQRFG	24
A1008CHNF	15	A16H1206SS6LP	20
A1008CHNFSS	22	A16H1206SSLP	20
A1008CHNFSS6	22	A16H1208SS6LP	20
A1008SC	16	A16H1208SSLP	20
A10086CH	15	A16H16ALP	12
A10086CHFL	16	A16H1606SS6LP	20
A10106CH	15	A16H1606SSLP	20
A10106CHFL	16	A16P12	85
A10106CHNF	15	A16P12G	85
A10106SC	16	A16P14	84
A1086CHQRFG	24	A16P14G	84
A12P10	84	A16P16	85
A12P10G	84	A16P16G	85
A12P12	84	A1614CH	15
A12P12G	84	A1614CHNF	15
A1210CH	15	A1614CHNFSS	22
A1210CHFL	16	A1614CHNFSS6	22
A1210CHNF	15	A1614SC	16
A1210SC	16	A16148CH	15
A12106CHNFSS	22	A16148CHFL	16
A12106CHNFSS6	22	A16148CHQRFG	24
A12106CHQRFG	24	A161606LP	11
A12106PHC	26	A18P16	84
A1212CH	15	A18SBASE	74
A1212CHFL	16	A181610CHQRFG	24

Catalog Number	Catalog Page	Catalog Number	Catalog Page
A20H16BLP	12	A24P20G	85
A20H1606SS6LP	20	A24P24	85
A20H1606SSLP	20	A24P24G	85
A20H1608SS6LP	20	A24SA2608LPPL	13
A20H1608SSLP	20	A24SBASE	74
A20H1610SS6LP	20	A242008LP	11
A20H1610SSLP	20	A242408LP	11
A20H20BLP	12	A242412LP	11
A20H2006SS6LP	20	A244208WFLP	12
A20H2006SSLP	20	A30H24BLP	12
A20H2008SS6LP	20	A30H24DLP	12
A20H2008SSLP	20	A30H2408SS6LP	20
A20P16	85	A30H2408SSLP	20
A20P16G	85	A30H2410SSLP	20
A20P20	85	A30H2412GQRLP	24
A20P20G	85	A30H2412SS6LP	20
A201608LP	11	A30H2412SSLP	20
A202006LP	11	A30H2412SSLP3PT	21
A202008LP	11	A30H30BLP	12
A24H1608SSLP	20	A30H3008SS6LP	20
A24H20BLP	12	A30H3008SSLP	20
A24H2006SSLP	20	A30P24	85
A24H2008SS6LP	20	A30P24G	85
A24H2008SSLP	20	A30P30	85
A24H2010SS6LP	20	A30P30G	85
A24H2010SSLP	20	A30SA2608LPPL	13
A24H24BLP	12	A302408LP	11
A24H2406SSLP	20	A302412LP	11
A24H2408GQRLP	24	A303008LP	11
A24H2408SS6LP	20	A303012LP	11
A24H2408SS6LP3PT	21	A304210WFLP	12
A24H2408SSLP	20	A36H2408SS6LP	20
A24H2408SSLP3PT	21	A36H2408SSLP	20
A24H2412SS6LP	20	A36H2410SSLP	20
A24H2412SSLP	20	A36H30DLP	12
A24H2412SSLP3PT	21	A36H3008SSLP	20
A24P16	85	A36H3010SSLP	20
A24P16G	85	A36H3012SS6LP	20
A24P20	85	A36H3012SSLP	20

Catalog Number	Catalog Page	Catalog Number	Catalog Page
A36H3012SSLP3PT	21	A48H3612SS6LP3PT	21
A36H3016SSLP	20	A48H3612SSLP	20
A36H3612SS6LP	20	A48H3612SSLP3PT	21
A36H3612SSLP	20	A48H3616SS6LP3PT	21
A36H3612SSLP3PT	21	A48H3616SSLP	20
A36P24	85	A48H3616SSLP3PT	21
A36P24G	85	A48P36	85
A36P30	85	A48P36G	85
A36P30G	85	A48P48	85
A36P36	85	A48P48G	85
A36P36G	85	A48SA3812LPPL	13
A36SA3208LPPL	13	A48SA3816LPPL	13
A36SA3212LPPL	13	A483612LP	11
A363008LP	11	A483616LP	11
A363012LP	11	A484812WFLP	12
A363608LP	11	A60BFP42	85
A363612LP	11	A60BFP42G	85
A364212WFLP	12	A60H36DLP3PT	12
A404CH	15	A60H36FLP3PT	12
A404CHFL	16	A60H3612SSLP	20
A404DSC	17	A60H3612SSLP3PT	21
A404SC	16	A60H3616SSLP3PT	21
A42H3612SSLP3PT	21	A60P36	85
A42P24	85	A60P36F1	86
A42P24G	85	A60P36F1G	86
A42P30	85	A60P36G	85
A42P30G	85	A6P4	84
A42P36	85	A6P4G	84
A42P36G	85	A60P48	85
A42SA3212LPPL	13	A60P48G	85
A42SA3812LPPL	13	A6P6	84
A423610LP	11	A60P60	85
A423612LP	11	A6P6G	84
A426012WFALP	12	A60P60G	85
A44CCOL	74	A60SA3812LPPL	13
A44PBCOL	74	A60SA3816LPPL	13
A48H36DLP3PT	12	A60X4912LPFTC	33
A48H36FLP3PT	12	A60X4918LPFTC	33
A48H3612SS6LP	20	A60X6112LPFTC	33

Catalog Number	Catalog Page	Catalog Number	Catalog Page
A60X6118LPFTC	33	A72P36	85
A603612LP	11	A72P36F1	86
A603616LP	11	A72P36F1G	86
A603624FS	30	A72P36G	85
A604CH	15	A72P48F1	86
A604SC	16	A72P48F1G	86
A6044CHNFSS	22	A72P60	85
A604808LP	34	A72P60F1	86
A604810LP	34	A72P60F1G	86
A604812LP	34	A72P60G	85
A604816LP	34	A72P72	85
A604824LP	34	A72P72F1	86
A606CH	15	A72P72F1G	86
A606CHFL	16	A72P72G	85
A606CHNF	15	A72PM34	87
A606CHNFSS	22	A72PM34G	87
A606SC	16	A72PM40	87
A606010LP	34	A72PM40G	87
A606012LP	34	A72PM54	87
A606016LP	34	A72PM54G	87
A606024LP	34	A72PM66	87
A62H4810LP3PT	34	A72PM66G	87
A62H4812SSLP3PT	36	A72PM78	87
A62H4818LP3PT	34	A72PM78G	87
A62H4818SSLP3PT	36	A72SMP14	86
A62H6012LP3PT	34	A72SMP20	86
A62H6012SSLP3PT	36	A72X6112LPFTC	33
A62H6018LP3PT	34	A72X6118LPFTC	33
A62H6018SSLP3PT	36	A72X7312LPFTC	33
A66CCOL	74	A72X7318LPFTC	33
A664CHQRFG	24	A72X7324LPFTC	33
A72H2518FS3PT	32	A72XM3418FTCLP	31
A72H3124FS3PT	32	A72XM3418FTCLP4	30
A72H36DLP3PT	12	A72XM4018FTCLP	31
A72H3724FS3PT	32	A72XM5418FTCLP	31
A72P24F1	86	A72XM5418FTCLP4	30
A72P24F1G	86	A72XM6618FTCLP	31
A72P30F1	86	A72XM7818FTCLP	31
A72P30F1G	86	A72XM7824FTCLP	31



Catalog Number	Catalog Page	Catalog Number	Catalog Page
A723018FS	30	A808CHFL	16
A723618FS	30	A808CHNF	15
A723618SSFSN4	37	A808SC	16
A723624FS	30	A84PM40	87
A723624SSFSN4	37	A84PM40G	87
A724818FSD	30	A84PM78	87
A724824FSD	30	A84PM78G	87
A724824SSFSDN4	37	A84XM3EW18FTCLP	31
A726010ULP	34	A84XM4EW18FTCLP	31
A726012ULP	34	A84XM4018FTCLP	31
A726016ULP	34	A84XM4024FTCLP	31
A726024FSD	30	A84XM7818FTCLP	31
A726024SSFSDN4	37	A864CHQRF	24
A726024ULP	34	A864PHC	26
A727210ULP	34	A90P36F1	86
A727212ULP	34	A90P36F1G	86
A727216ULP	34	A90P48F1	86
A727218FSD	30	A90P48F1G	86
A727224ULP	34	A90P72F1	86
A74H6012LP3PT	34	A90P72F1G	86
A74H6012SSLP3PT	36	A90PM40	87
A74H6018LP3PT	34	A90PM40G	87
A74H6018SSLP3PT	36	A90PM78	87
A74H7212LP3PT	34	A90PM78G	87
A74H7212SSLP3PT	36	A90SMP14	86
A74H7218LP3PT	34	A90XM4018FTCLP	31
A74H7218SSLP3PT	36	A90XM7818FTCLP	31
A74H7224LP3PT	34	A90XM7824FTCLP	31
A74H7224SSLP3PT	36	A903624FS	30
A8P6	84	A904820FSD	30
A8P6G	84	A907220FSD	30
A8P8	84	A907224FSD	30
A8P8G	84	AAA1544	74
A806CH	15	ABBLC	35
A806CHFL	16	ABBSC	35
A806SC	16	ABBSV	35
A8064CHNFSS	22	ABF	35
A8064CHNFSS6	22	ABL	35
A808CH	15	ABS	35

Catalog Number	Catalog Page	Catalog Number	Catalog Page
ADP1	89	C16C24	54
ADP2	89	C20C20	54
AFK0618	89	C20C24	54
AFK1212	89	C20C30	54
AFK1216	89	C8C12	54
AFK2412	89	C8C16	54
AL12AR	90	C8C8	54
AL18	90	CCGK	53
ALFSWD	90	CDSC30268	13
AMOD84EPT	32	CDSC36328	13
AMOD84X4018FTCLP	32	CDSC423212	13
AMOD84X7818FTCLP	32	CDSC423812	13
AMOD8418BAP	32	CDSC483812	13
AMOD8418FEP	32	CDSC603812	13
AMOD8418FGK	32	CDSC603816	13
AMOD843918FTCLP	32	CHDLK	53
AMOD847718FTCLP	32	CKBT	53
AP36L44	74	CMFK	89
AP36L88	74	CMFKSS	89
AS050	88	CP1212	84
AS050SS	88	CP1212G	84
AS075	88	CP1612	84
AS075SS	88	CP1612G	84
AS100	88	CP1616	84
AS150	88	CP1616G	84
AS200	88	CP2016	84
AST44	75	CP2016G	84
AST88	75	CP2020	84
ASWV44	75	CP2020G	84
ASWV88	75	CP2416	84
AVDR4NM	88	CP2416G	84
AVDR4SS4	88	CP2420	84
AXD18	14	CP2420G	84
C12C12	54	CP2424	84
C12C16	54	CP2424G	84
C12C20	54	CP2442	84
C12C24	54	CP2442G	84
C16C16	54	CP253512	52
C16C20	54	CP3024	84



Catalog Number	Catalog Page	Catalog Number	Catalog Page
CP3024G.....	84	CSD12126SS6.....	19
CP3030.....	84	CSD161210SS.....	19
CP3030G.....	84	CSD16126.....	10
CP304012.....	52	CSD16126SS.....	19
CP3060.....	84	CSD16128.....	10
CP3060G.....	84	CSD16128SS.....	19
CP323512.....	52	CSD161610SS.....	19
CP354512.....	52	CSD16166.....	10
CP354518.....	52	CSD16166SS.....	19
CP3624.....	84	CSD16168.....	10
CP3624G.....	84	CSD16168SS.....	19
CP3630.....	84	CSD16208SS.....	19
CP3630G.....	84	CSD201610SS.....	19
CP3636.....	84	CSD20166SS.....	19
CP3636G.....	84	CSD20168.....	10
CP374012.....	52	CSD20168SS.....	19
CP405012.....	52	CSD202010SS.....	19
CP405018.....	52	CSD202012.....	10
CP4230.....	84	CSD202012SS.....	19
CP4230G.....	84	CSD20206.....	10
CP4236.....	84	CSD20206SS.....	19
CP4236G.....	84	CSD20208.....	10
CP424512.....	52	CSD20208SS.....	19
CP424518.....	52	CSD24168.....	10
CP455512.....	52	CSD24168SS.....	19
CP455518.....	52	CSD242010SS.....	19
CP475012.....	52	CSD242012.....	10
CP475018.....	52	CSD24208.....	10
CP4836.....	84	CSD24208SS.....	19
CP4836G.....	84	CSD242410SS.....	19
CP486018.....	52	CSD242412.....	10
CP525512.....	52	CSD242412SS.....	19
CP525518.....	52	CSD24248.....	10
CP556012.....	52	CSD24248SS.....	19
CP556018.....	52	CSD24248SS6.....	19
CP6036.....	84	CSD243010SS.....	19
CP6036G.....	84	CSD30208.....	10
CSD12126.....	10	CSD302410SS.....	19
CSD12126SS.....	19	CSD302412.....	10

Catalog Number	Catalog Page	Catalog Number	Catalog Page
CSD302412SS.....	19	DAH13001C.....	98
CSD30248.....	10	DAH13002C.....	98
CSD30248SS.....	19	DAH2001A.....	98
CSD303010SS.....	19	DAH2002A.....	98
CSD303012.....	10	DAH4001B.....	98
CSD303012SS.....	19	DAH4002B.....	98
CSD30308.....	10	DAH8001B.....	98
CSD30308SS.....	19	DAH8002B.....	98
CSD362412.....	10	E1PB.....	18
CSD362412SS.....	19	E1PBG.....	18
CSD36248.....	10	E1PBGSS.....	23
CSD363010SS.....	19	E1PBSS.....	23
CSD363012.....	10	E1PBX4.....	18
CSD363012SS.....	19	E1PBXM4.....	18
CSD363016.....	10	E1PBXSS.....	23
CSD36308.....	10	E2PB.....	18
CSD363610SSR.....	19	E2PBG.....	18
CSD363612.....	10	E2PBSS.....	23
CSD363612SS6R.....	19	E2PBX4.....	18
CSD363612SSR.....	19	E2PBXM4.....	18
CSD36368.....	10	E3PB.....	18
CSD423012.....	10	E3PBG.....	18
CSD423610.....	10	E3PBSS.....	23
CSD423612.....	10	E3PBX4.....	18
CSD423612SSR.....	19	E3PBXM4.....	18
CSD483016.....	10	E4PB.....	18
CSD483610.....	10	E4PBG.....	18
CSD483612.....	10	E4PBX4.....	18
CSD483612SSR.....	19	E4PBXM4.....	18
CSD483616.....	10	ECHC.....	35
CSD603612.....	10	ECHV.....	35
CSD603612SSR.....	19	F44BB2C.....	80
CSD603616.....	10	F44BK60.....	80
CTD24428.....	11	F44HB.....	79
CTD306012.....	11	F44L06.....	78
CTD364812.....	11	F44L12.....	78
CTD366012.....	11	F44L24.....	78
DAH1001A.....	98	F44L36.....	78
DAH1002A.....	98	F44L48.....	78

Catalog Number	Catalog Page	Catalog Number	Catalog Page
F44L60	78	HF1326414	97
F44LA	78	HF1326424	97
F44LB	80	HG0400404	97
F44LE9A	79	HG0500404	97
F44LE9C	79	HG0900404	97
F44LP	79	HG1000404	97
F44LSAG	81	HG1300404	97
F44LSGQR	81	N170116G010	95
F44WG	81	N170126G010	95
G280416G050	94	N170146G010	95
G280426G050	94	N170216G010	95
G280446G050	94	N170226G010	95
G280616G050	94	N170246G010	95
G280626G050	94	N280416G050	95
G280646G050	94	N360616G050	95
G520816G050	94	N360646G050	95
G520826G050	94	N360846G050	95
G520846G050	94	N431246G050	95
G521216G050	94	P2ABVM6FP	46
G521226G050	94	P2ACEGP	48
G521246G050	94	P2ADC6	47
G572046G050	94	P2ADC8	47
GEC	35	P2ADPS1	48
GEV	35	P2ADRK	48
HF0416414	97	P2ADSK	47
HF0424414	97	P2AFRB100	46
HF0426414	97	P2AH180	47
HF0516414	97	P2AJ	48
HF0524414	97	P2AJKSB	48
HF0526414	97	P2AJSB	48
HF0916414	97	P2ALASS	49
HF0924414	97	P2ALE	49
HF0926414	97	P2APSB	47
HF1016414	97	P2B166	43
HF1024414	97	P2B168	43
HF1026414	97	P2B186	43
HF1316414	97	P2B188	43
HF1316424	97	P2BGP68G	43
HF1324414	97	P2BGP88G	43

Catalog Number	Catalog Page	Catalog Number	Catalog Page
P2BP1106	43	P2P2010	44
P2BP1126	43	P2P2010G	44
P2BP166	43	P2P2012	44
P2BP168	43	P2P206	44
P2BP186	43	P2P206G	44
P2BP188	43	P2P208	44
P2C206	42	P2P208G	44
P2C208	42	P2P228	44
P2C228	42	P2P228G	44
P2CS186	42	P2PJ20	44
P2CS206	42	P2PJ20G	44
P2CS208	42	P2PJ22	44
P2CS226	42	P2PJ22G	44
P2CS228	42	P2PSM206	45
P2D206	41	P2PSM208	45
P2D208	41	P2PSM228	45
P2D228	41	P2RA19S20	46
P2F2068	41	P2RA19S22	46
P2F2088	41	P2RA19T20	46
P2F2288	41	P2RA19T22	46
P2G1R6	45	P2T68	42
P2G3R6	45	P2T88	42
P2G3R7	45	PLM13N17	96
P2G3R8	45	PLM28G28	96
P2G3R9	45	PLM28N17	96
P2GARA6	45	PUHKA	75
P2GARA8	45	Q1PBPCDM	27
P2GD6	41	Q1612PD	87
P2GD8	41	Q16129PCD	26
P2K1866	40	Q88PD	87
P2K1886	40	Q889PCD	26
P2K20106	40	S1MA	56
P2K2066	40	S1ME	56
P2K2086	40	S1MER	57
P2K2088	40	S1MFC	57
P2K2286	40	S1MFEC	58
P2KOD20126	40	S1MIJ	58
P2P186	44	S1MPCH	59
P2P188	44	S1MPCV	59





Catalog Number	Catalog Page	Catalog Number	Catalog Page
S1MRE	60	S2MWJH	73
S1MRL	60	S2MWJV	72
S1MSJ	61	SITEL	35
S1MSLAR	61	SITES	35
S1MT1000	55	SQDC	35
S1MT1250	55	SQDV	35
S1MT1500	55	T150116G100	96
S1MT250	55	T150116G150	96
S1MT500	55	T200216G100	96
S1MT750	55	T200216G150	96
S1MTBB	62	T200226G100	96
S1MWF	62	UBP	35
S1MWJH	63	WAMT	35
S1MWJV	63	WAMTF	35
S2MAA	66	WS161208SS	21
S2MACF	66	WS161608SS	21
S2MBC	67	WS201608SS	21
S2ME	67	WS202008SS	21
S2MER	68	WS242408SS	21
S2MFC	68	WS242412SS	21
S2MFEC	69	WS302412SS	21
S2MIJ	69	WS303008SS	21
S2MLSAR	70	WS363012SS	21
S2MPBL	71	WS363612SS	21
S2MPBS	70	WS483616SS	21
S2MRB	71	WS603616SS	21
S2MRL	65		
S2MSJ	73		
S2MT1000	64		
S2MT1250	64		
S2MT1500	64		
S2MT1750	64		
S2MT2000	64		
S2MT250	64		
S2MT500	64		
S2MT750	64		
S2MTA	65		
S2MTHP	65		
S2MWF	72		



Product Description	Catalog Page	Product Description	Catalog Page
180-Degree Hinge Kit	47	Easy Swap Adaptor Plenums For Air Conditioners	96
19-Inch Rack Angles	46	Elbow	56, 67
30.5-mm and 22.5-mm Pushbutton Enclosures, Type 4X	23	Electric Heaters	98
90-Degree Angle Sealing Plate	81	Extra-Deep Pushbutton Enclosures, Type 4	18
90-Degree Elbows	79	Fastener Packages	46
Accessory Handle Kit	53	Flange Coupling	57, 68
Adjustable Rack-Mounting Rails	45	Flange Elbow Coupling	58, 69
Angle Adapter	74	Flange Stand Kit	89
Angled Adapter, Stepless 30 Degrees	66	Frame Joining Kits	48
Angled Coupling Tilted Forward	66	Frame Reducing Brackets	46
Barrier Kit, Bolt-On	80	Frames	41
Barrier Kits, Bracket-Mounted	80	Free-Stand Disconnect with Quick-Release Continuous Hinge, Type 4	30
Base Coupling	67	Free-Stand, Type 12, Single or Dual Access	30
Blank Adapter Plate	35	Free-Stand, Type 4 with 3-Point Latch	32
Bolt-Down Pedestal	74	Free-Stand, Type 4X, Single and Dual Access	37
Bracket Hanger	79	Full Subpanel (Rear or Side)	44
Cable Entry Gland Plate	48	Fully-Sealed Plinth Base	43
Clamp Kits	90	Gasket and Screws	81
Closure Plate	79	Gland Plate	43
Concept HMI, Type 4	52	Grid Strap Network (Rail System)	45
Concept Panels	84	Grounding Kit	53
Concept Single-Door, Type 4 and 12	10	H2omit Vent Drains, Type 4X	89
Concept Two-Door, Type 4 and 12	11	Handles	75
Concept, Type 4X	19	Heavy-Duty Free-Stand Disconnect Enclosure, Type 12	31
Continuous Hinge Two-Door with Handle, Type 12	12	HF Side-Mount Filter Fans	97
Continuous Hinge, Type 4X	24	Hinge-Cover with Quick-Release Latches, Type 4X	24
Continuous Hinge with 3-Point Latch, Type 4	12	Hol-Sealers Hole Seals	88
Continuous Hinge with 3-Point Latch, Type 4X	21	Horizontal Panel Coupling	59
Continuous Hinge with Clamps LP, Type 12	11	Horizontal Wall Joint	63, 73
Continuous Hinge with Clamps LP, Type 4	12	Industrial Packages, Type 12	40
Continuous Hinge with Clamps, Type 12	15	Intermediate Joint	58, 69
Continuous Hinge with Clamps, Type 4	15	Joining Subpanel	44
Continuous Hinge with Clamps, Type 4X	20	Keyboard Tray	53
Continuous-Hinge with Clamps, Type 4X	22	Keyed Cylinder Lock Kits	90
Continuous Hinge with Quarter-Turn Latch, Type 4	16	Large Pedestal Base	71
Door Bar Grid Straps	41	Lay-In Wireway, NEMA Type 12	78
Door Stop Kit	47	Lifting Angles	49
Door Support Roller Kit	48	Lifting Eyes	49
Dust Cover	47		





Product Description	Catalog Page	Product Description	Catalog Page
Light Signal Adapter.....	70	SpectraCool Indoor.....	94
Mild Steel Consolets.....	54	SpectraCool Narrow Indoor.....	95
Mild Steel Sequestr External Disconnect Enclosure, Type 12....	14	Steel Data Pocket.....	48
Modular Disconnect Enclosure, Type 12.....	32	Straight Section.....	78
Mounting Bracket Kits.....	89	Swivel.....	75
Narrow Adapter.....	56	Swivel Tilt.....	75
Operator Adapters.....	35	Syspend 180-Max Suspension System, Type 12.....	55
Panel for Free-Stand Enclosure with Mounting Stud.....	87	Syspend 281-Max Suspension System, Type 12.....	64
Panels for free-stand enclosures with mounting channel.....	86	Telescope Fitting, Lay-In.....	78
Panels for Junction Boxes.....	84	Thermoplastic Data Pocket.....	89
Panels for Type 3R, 4, 4X, 12 and 13 Enclosures.....	85	T-Series Compact Outdoor.....	96
Panel Support Bracket.....	47	Tube Adapter.....	65
Pedestals.....	74	Tube Hole Plugs.....	65
Pedestal with Legs.....	74	Tubes.....	55, 64
Plinth Base.....	43	Two-Door with 3-Point Latches, Type 4X.....	36
Polypro, Type 4X.....	26	Two-Door with Floor Stands and 3-Point Latch, Type 12.....	34
Pushbutton Enclosures, Type 12.....	18	Two-Door with Floor Stands and 3-Point Latch, Type 4.....	34
Qline D Panels.....	87	Two-Door with Floor Stands Disconnect Enclosure, Type 12....	33
Qline D Pushbutton, Type 4X.....	27	Vertical Panel Coupling.....	59
Qline D, Type 4X.....	26	Vertical Wall Joint.....	63, 72
Quick-Release Flat Sealing Plate.....	81	Wall Flange.....	62, 72
Reduction Elbow.....	60	Wall-Mount Disconnect Enclosure With Handle, Type 12.....	13
Remote Door Switch.....	90		
Rotary Base.....	62, 71		
Rotatable Elbow.....	57, 68		
Rotation Limiter.....	60		
Rotation Limiters.....	65		
Screw Cover, Contoured, Type 4.....	17		
Screw Cover, Type 12.....	16		
Set-up Joint.....	61		
Set-Up Joint.....	73		
Side Cover.....	42		
Side-Mount Panel.....	45		
Signal Light Adapter.....	61		
Small Pedestal Base.....	70		
Solid Cover (Front or Rear).....	42		
Solid Doors (Single or Overlapping Double).....	41		
Solid Top.....	42		
SpectraCool Compact Indoor.....	95		

## North America

Minneapolis, MN Tel: +1.763.421.2240

Mexico, D.F. Tel +52.55.5280.1449

Toronto, Canada Tel: +1.416.289.2770

## South America

Sao Paulo, Brazil Tel: +55.11.5184.2100

Boitura, Brazil Tel: +55.15.3363.9148

## Europe

Betschdorf, France Tel: +33.3.88.90.64.90

Straubenhardt, Germany Tel: +49.7082.794.0

Dzierzoniow, Poland Tel: +48.74.64.63.900

Lainate, Italy Tel: +39.02.932.7141

## Middle East & India

Dubai, United Arab Emirates Tel: +971.4.378.1700

Bangalore, India Tel: +91.80.6715.2001

## Asia

Shanghai, P.R. China Tel: +86.21.2412.6943

Singapore Tel: +65.6768.5800

Shin-Yokohama, Japan Tel: +81.45.476.0271

Seoul, Korea Tel: +82.2.2129.7755

Qingdao Tel: +86.532.8771.6101

Our powerful portfolio of brands:

**CADDY   ERICO   HOFFMAN   RAYCHEM   SCHROFF   TRACER**



[nVent.com/HOFFMAN](http://nVent.com/HOFFMAN)