




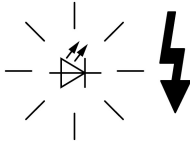
## LED strobe light, orange 24V



Powering Business Worldwide™

**Part no.** SL7-FL24-A  
**Article no.** 171407  
**Catalog No.** SL7-FL24-A

### Delivery programme

Product range			SL7 signal towers
Basic function			Card with LED
Protection type			IP66
Rated operational voltage	U <sub>e</sub>	V	24 V AC/DC
Type of light			Strobe light
Light elements			LED
Colour			Orange
			
Function			
Connection to SmartWire-DT			no

### Approvals

Product Standards  
 UL File No.  
 UL Category Control No.  
 CSA File No.  
 CSA Class No.  
 North America Certification  
 Degree of Protection

IEC/EN 60947-5-1; UL 508; CSA-C22.2 No. 14-10; CSA-C22.2 No. 94-91; CE marking  
 E29184  
 NKCR  
 UL report applies to both US and Canada  
 NKCR7  
 UL listed, certified by UL for use in Canada  
 UL Type 4, 4X, 13

### General

Standards			IEC/EN 60947-5-1
Climatic proofing			Damp heat, constant, to IEC 60068-2-78 Damp heat, cyclic, to IEC 60069-2-30
Mounting position			As required
Mechanical shock resistance		g	> 15 according to IEC 60068-2-27 Shock duration 11 ms Sinusoidal
IEC degree of protection			IP66 IEC/EN 60529
Protection type UL			Type 4, 4X, 13
Material			Enclosure: Polycarbonate (PC), black Cap: Polycarbonate (PC)
Cap colour			Orange
Ambient temperature		°C	-30 - +60
Number of signal elements			Max. 5 with standard base Max. 10 with base for mounting on both sides
Weight		g	80

### Contacts

Rated impulse withstand voltage	U <sub>imp</sub>	V AC	4000
Rated insulation voltage	U <sub>i</sub>	V	250
Overtoltage category/pollution degree			III/3

### modules

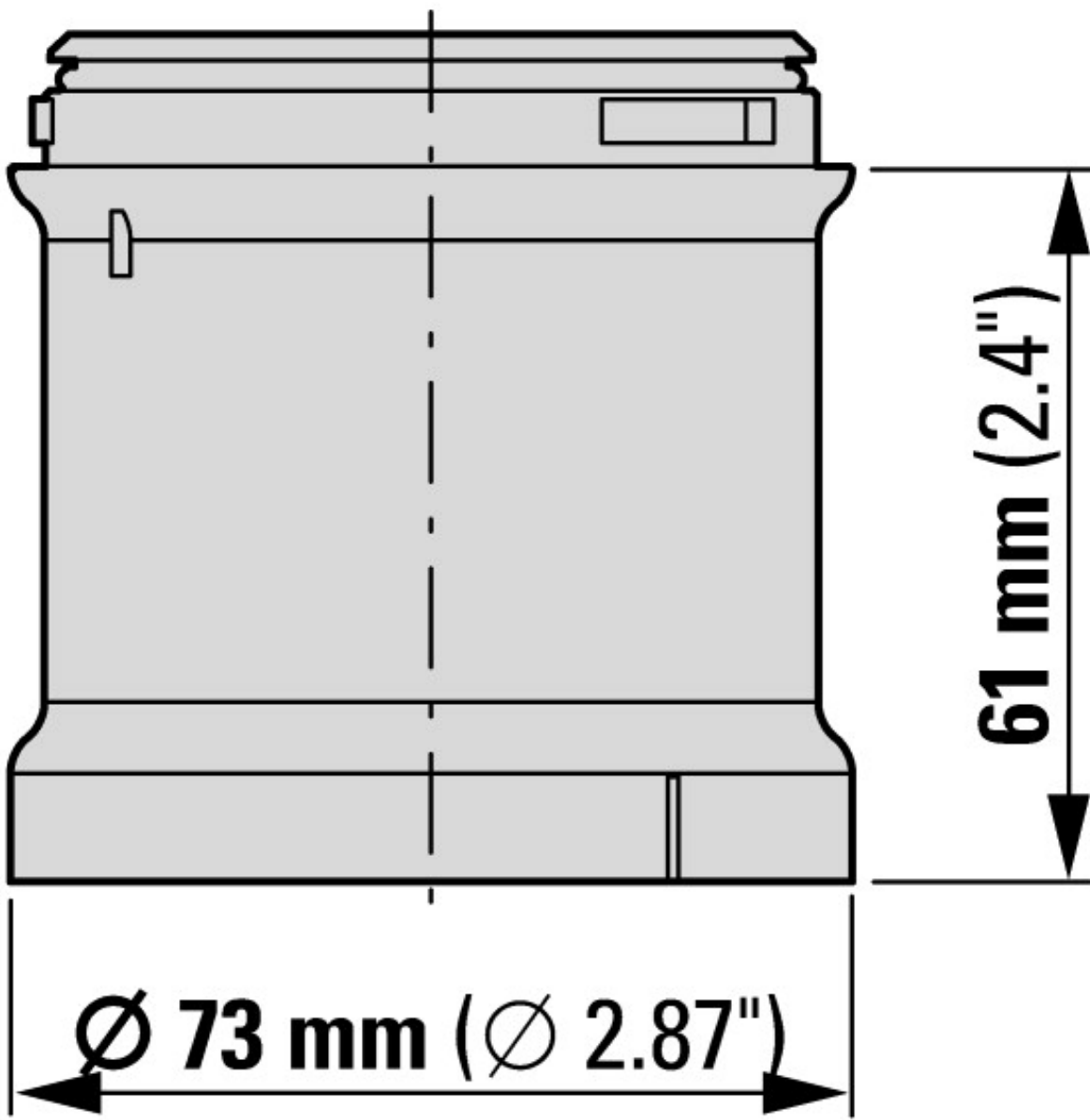
Type of light			Strobe light
---------------	--	--	--------------

Light elements			LED
Flashing/strobe frequency			1.4 Hz
Leakage current		A	< 0.003
lifespan		h	> 100000
Transmission angle			360°
Current-/power consumption			
24 V AC/DC		A	0.130 - 0.135
Voltage levels			24 V AC/DC ± 10 %

## Technical data ETIM 5.0

Low-voltage industrial components (EG000017) / Optical module for signal tower (EC000232)			
Electric engineering, automation, process control engineering / Low-voltage switch technology / Command and alarm device / Optical module for signal tower (ecl@ss8-27-37-12-20 [AKF038010])			
Function			Flash light
Colour			Orange
Outer diameter		mm	73
Degree of protection (IP)			IP66
Operating voltage at AC 50 Hz		V	24 - 24
Operating voltage at AC 60 Hz		V	24 - 24
Operating voltage at DC		V	24 - 24
Voltage type			AC/DC
Type of lamp			LED
Colour housing			Black

## Dimensions



#### Additional product information (links)

##### IL047004ZU SL7 Light Modules, Tone Modules

IL047004ZU SL7 Light Modules, Tone Modules

[ftp://ftp.moeller.net/DOCUMENTATION/AWA\\_INSTRUCTIONS/IL047004ZU2013\\_02.pdf](ftp://ftp.moeller.net/DOCUMENTATION/AWA_INSTRUCTIONS/IL047004ZU2013_02.pdf)

IL047004ZU SL7, modules lumineux, modules sonores

[ftp://ftp.moeller.net/DOCUMENTATION/AWA\\_INSTRUCTIONS/IL047004ZU2013\\_02.pdf](ftp://ftp.moeller.net/DOCUMENTATION/AWA_INSTRUCTIONS/IL047004ZU2013_02.pdf)