



KT-LED94P-V-8CSE-S

4-PIN LED LAMP



DESCRIPTION

9.5W 4-Pin LED Lamp | Color Select 3000K, 3500K, 4000K | ≥82 CRI

LAMP TYPE: Compact
BULB TYPE: 4-Pin LED
BASE TYPE: G24q
WATTAGE: 9.5W
SELECTABLE COLOR TEMPERATURE: 3000K, 3500K, 4000K
COLOR RENDERING INDEX (CRI): ≥82
WARRANTY: 5 Years



PRODUCT FEATURES

- Replacement for conventional CFL 26W/32W/42W G24q lamps
- LED plug and play: directly compatible with most existing CFL ballasts
- Operating temperature: -20°C/-4°F to 45°C/113°F
- Instant startup
- Environmentally friendly: no mercury used
- Not for use in enclosed fixtures
- Frosted lens eliminates pixelation
- UL listed
- Save 50% on energy consumption when compared to a typical CFL lamp
- Extend the useful life up to four times
- Install quickly with our plug and play design

OPERATING SPECIFICATIONS

ELECTRICAL CHARACTERISTICS

Input Voltage	Lamp Wattage	Power Factor	System Wattage
Ballast Dependent	9.5W	>0.9	11W

PHOTOMETRIC CHARACTERISTICS

Color Temperature (CCT)	3000K*	3500K	4000K
Luminous Flux	1100	1120	1150
Color Rendering Index (CRI)	≥82	≥82	≥82
Bare Lamp Efficacy	116	118	121

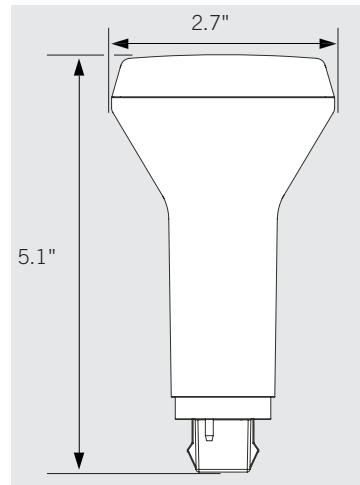
*Preset to 3000K

RATED LIFE

L70 (Hours)	50,000
-------------	--------

PHYSICAL CHARACTERISTICS

LAMP DIMENSIONS





KT-LED94P-V-8CSE-S

4-PIN LED LAMP

ORDERING INFORMATION

ORDER CODE	PACK QTY.	UPC	EASY CODE
KT-LED94P-V-8CSE-S	50	843654137735	NEV-71

CATALOG NUMBER BREAKDOWN

KT-LED94P-V-8CSE-S

1	2	3	4	5	6	7	8	9
1 Keystone Technologies	2 LED Lamp	3 Wattage	4 4-Pin Lamp Type	5 Vertical Orientation	6 80 CRI	7 Color Select	8 Color Select Designation	9 Smart Drive Series
							E	3000K, 3500K, 4000K