

Wall dimmers and lighting controls

Customize your comfort in home and commercial applications

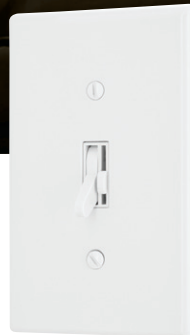
Customize the feel and comfort of your home lighting with Hubbell dimmers



LCD150DW
200W
Rocker Dimmer



LCD150SW
200W
Slide Dimmer



LCD150TW
150W
Toggle Dimmer



LCD300DW
300W
Rocker Dimmer



LCD0108DW
0-10V Low Voltage
Rocker Dimmer



LCD0108SW
0-10V Low Voltage
Slide Dimmer

Key Benefits

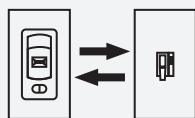
Enjoy Hubbell quality and reliability, along with universal compatibility.

- Compatible with most forward phase dimming lamps
- Suitable for single-pole or 3-way/4-way applications
- Tunable with trim adjustment on all models
- Available rocker and slide, or toggle and slide styles
- Matches all Hubbell decorator, toggle, and screwless wallplates
- UL/cUL Listed

Key Functions



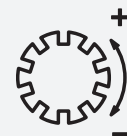
Energy
Efficient



Multiway
Dimmers



cUL Listed



Trim
Adjustment



Light up your application

Control the ambiance in your home and reduce your energy footprint. Our dimmer switches match perfectly with efficient LED light bulbs. These designs also support CFL, and even traditional incandescent bulbs. Digital trimming maximizes the brightness range and adjusts to reduce flicker. And style options meet your needs.

Low voltage models power lights that use 0-10V dimming control, whether or not they use LED ballasts.

Designed for energy-efficient LED, Hubbell dimmers suitable for bulbs and fixtures that meet NEMA SSL 7A and California Title 24 standards.



Color Options

Ivory

Light Almond

White

Wall dimmers and lighting controls

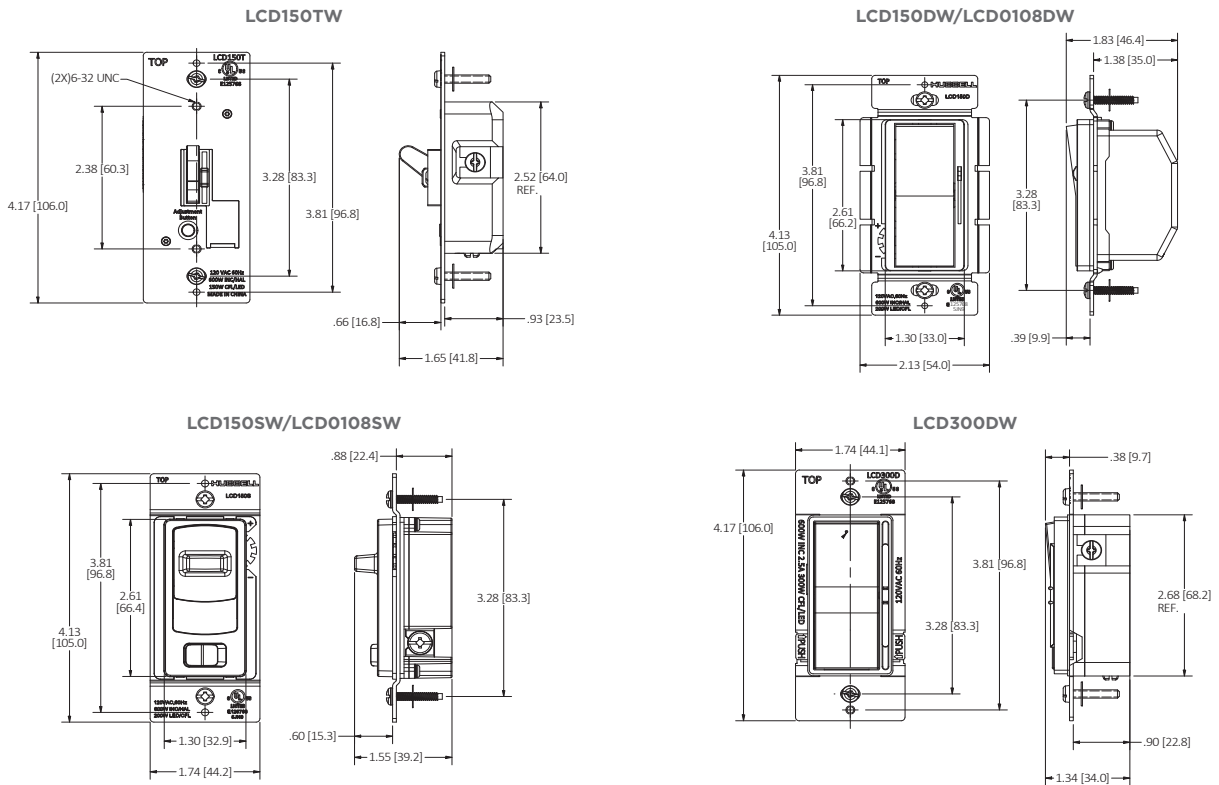
For home and commercial lighting applications



Ordering information

Description	Color	Catalog Number	Poles
Toggle 150W LED/CFL, 600W Incandescent, 120 VAC	White	LCD150TW	SP, 3/4 Way
Toggle 150W LED/CFL, 600W Incandescent, 120 VAC	Ivory	LCD150TI	SP, 3/4 Way
Toggle 150W LED/CFL, 600W Incandescent, 120 VAC	Light Almond	LCD150TLA	SP, 3/4 Way
Decorator Rocker 200W LED/CFL, 600W Incandescent, 120 VAC	White	LCD150DW	SP, 3/4 Way
Decorator Rocker 200W LED/CFL, 600W Incandescent, 120 VAC	Ivory	LCD150DI	SP, 3/4 Way
Decorator Rocker 200W LED/CFL, 600W Incandescent, 120 VAC	Light Almond	LCD150DLA	SP, 3/4 Way
Decorator Slide 200W LED/CFL, 600W Incandescent, 120 VAC	White	LCD150SW	SP, 3/4 Way
Decorator Slide 200W LED/CFL, 600W Incandescent, 120 VAC	Ivory	LCD150SI	SP, 3/4 Way
Decorator Slide 200W LED/CFL, 600W Incandescent, 120 VAC	Light Almond	LCD150SLA	SP, 3/4 Way
Decorator Rocker 300W LED/CFL, 600W Incand., Indicator light, 120 VAC	White	LCD300DW	SP, 3/4 Way
Decorator Rocker 300W LED/CFL, 600W Incand., Indicator light, 120 VAC	Ivory	LCD300DI	SP, 3/4 Way
Decorator Rocker 300W LED/CFL, 600W Incand., Indicator light, 120 VAC	Light Almond	LCD300DLA	SP, 3/4 Way
Low Voltage Decorator Rocker 0-10V LED, 10 A 120 VAC, 5 A 277 VAC	White	LCD0108DW	SP, 3/4 Way
Low Voltage Decorator Rocker 0-10V LED, 10 A 120 VAC, 5 A 277 VAC	Ivory	LCD0108DI	SP, 3/4 Way
Low Voltage Decorator Rocker 0-10V LED, 10 A 120 VAC, 5 A 277 VAC	Light Almond	LCD0108DLA	SP, 3/4 Way
Low Voltage Decorator Slide 0-10V LED, 10 A 120 VAC, 5 A 277 VAC	White	LCD0108SW	SP, 3/4 Way
Low Voltage Decorator Slide 0-10V LED, 10 A 120 VAC, 5 A 277 VAC	Ivory	LCD0108SI	SP, 3/4 Way
Low Voltage Decorator Slide 0-10V LED, 10 A 120 VAC, 5 A 277 VAC	Light Almond	LCD0108SLA	SP, 3/4 Way

*Wallplates sold separately



Contact Us

Count on Hubbell Wiring Device-Kellems for safe, reliable, and innovative wiring devices. Contact us today.

