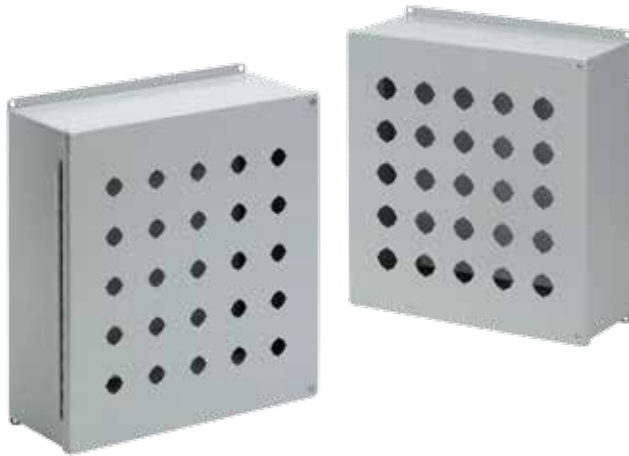


**EXTRA-LARGE PUSHBUTTON ENCLOSURES, TYPE 12**

**INDUSTRY STANDARDS**

 UL 508A Listed; Type 12, 13; File No. E61997  
 cUL Listed per CSA C22.2 No. 94; Type 12, 13; File No. E61997

 NEMA/EEMAC Type 12, 13  
 CSA File Number 42186: Type 12  
 IEC 60529, IP65

**APPLICATION**

Extra-Large Pushbutton Enclosures with panels are designed to hold 30.5-mm and 22.5-mm pushbuttons and switches, with factory-stamped holes ranging from 4 to 42 total number of holes.

**SPECIFICATIONS**

- 14 gauge steel
- Seams continuously welded and ground smooth
- Captivated cover screws thread into sealed wells
- Continuous hinge
- Factory stamped 4-way pushbutton holes
- Oil-resistant gasket
- Removable 14 gauge panel included, supported by weldnuts
- Bonding provision on cover
- External welded-on mounting brackets for easy installation
- 30.5-mm or 22.5-mm size holes

**FINISH**

ANSI 61 gray polyester powder paint inside and out. Included panels have white finish.

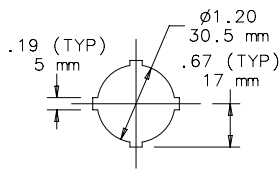
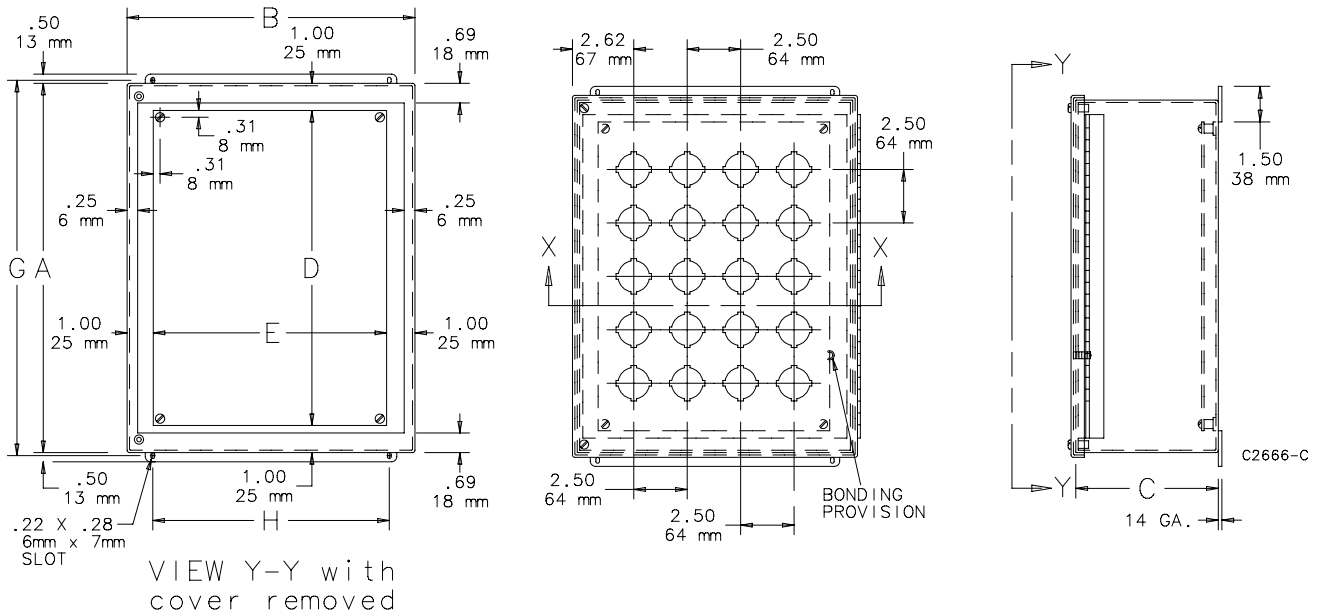
**ACCESSORIES**

 HOL-SEALERS Hole Seals  
 Tamper-Resistant Screws

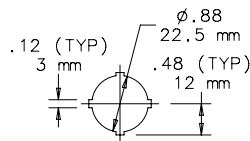
**BULLETIN: PB1**

## Standard Product

Catalog Number	AxBxC in.	AxBxC mm	Hole Size	Number of Holes	Panel Size D x E (in.)	Panel Size D x E (mm)	Mounting G x H (in.)	Mounting G x H (mm)
E4SPBY25	8.50 x 7.50 x 6.00	216 x 191 x 152	30.5 mm	4	6.50 x 5.50	165 x 140	9.00 x 6.62	229 x 168
E4SPBY25M	8.50 x 7.50 x 6.00	216 x 191 x 152	22.5 mm	4	6.50 x 5.50	165 x 140	9.00 x 6.62	229 x 168
E6PBY25	11.00 x 7.50 x 6.00	279 x 191 x 152	30.5 mm	6	9.00 x 5.50	229 x 140	11.50 x 6.62	292 x 168
E6PBY25M	11.00 x 7.50 x 6.00	279 x 191 x 152	22.5 mm	6	9.00 x 5.50	229 x 140	11.50 x 6.62	292 x 168
E9PBY25	11.00 x 10.00 x 6.00	279 x 254 x 152	30.5 mm	9	9.00 x 8.00	229 x 203	11.50 x 9.12	292 x 232
E9PBY25M	11.00 x 10.00 x 6.00	279 x 254 x 152	22.5 mm	9	9.00 x 8.00	229 x 203	11.50 x 9.12	292 x 232
E12PBY25	13.50 x 10.00 x 6.00	343 x 254 x 152	30.5 mm	12	11.50 x 8.00	292 x 203	14.00 x 9.12	356 x 232
E12PBY25M	13.50 x 10.00 x 6.00	343 x 254 x 152	22.5 mm	12	11.50 x 8.00	292 x 203	14.00 x 9.12	356 x 232
E16PBY25	13.50 x 12.50 x 6.00	343 x 318 x 152	30.5 mm	16	11.50 x 10.50	292 x 267	14.00 x 11.62	356 x 295
E16PBY25M	13.50 x 12.50 x 6.00	343 x 318 x 152	22.5 mm	16	11.50 x 10.50	292 x 267	14.00 x 11.62	356 x 295
E20PBY25	16.00 x 12.50 x 6.00	406 x 318 x 152	30.5 mm	20	14.00 x 10.50	356 x 267	16.50 x 11.62	419 x 295
E20PBY25M	16.00 x 12.50 x 6.00	406 x 318 x 152	22.5 mm	20	14.00 x 10.50	356 x 267	16.50 x 11.62	419 x 295
E25PBY25	16.00 x 15.00 x 6.00	406 x 381 x 152	30.5 mm	25	14.00 x 13.00	356 x 330	16.50 x 14.12	419 x 359
E25PBY25M	16.00 x 15.00 x 6.00	406 x 381 x 152	22.5 mm	25	14.00 x 13.00	356 x 330	16.50 x 14.12	419 x 359
E30PBY25	18.50 x 15.00 x 6.00	470 x 381 x 152	30.5 mm	30	16.50 x 13.00	419 x 330	19.00 x 14.12	483 x 359
E30PBY25M	18.50 x 15.00 x 6.00	470 x 381 x 152	22.5 mm	30	16.50 x 13.00	419 x 330	19.00 x 14.12	483 x 359
E36PBY25	18.50 x 17.50 x 6.00	470 x 445 x 152	30.5 mm	36	16.50 x 15.50	419 x 394	19.00 x 16.62	483 x 422
E36PBY25M	18.50 x 17.50 x 6.00	470 x 445 x 152	22.5 mm	36	16.50 x 15.50	419 x 394	19.00 x 16.62	483 x 422
E42PBY25	21.00 x 17.50 x 6.00	533 x 445 x 152	30.5 mm	42	19.00 x 15.50	483 x 394	21.50 x 16.62	546 x 422
E42PBY25M	21.00 x 17.50 x 6.00	533 x 445 x 152	22.5 mm	42	19.00 x 15.50	483 x 394	21.50 x 16.62	546 x 422



30.5mm 4-WAY



22.5mm 4-WAY

