

## HEAVY-DUTY FREE-STAND DISCONNECT ENCLOSURE, TYPE 12



### INDUSTRY STANDARDS

UL 508A Listed; Type 12; File No. E61997  
cUL Listed per CSA C22.2 No. 94; Type 12; File No. E61997

NEMA/EEMAC Type 12  
CSA File No. 42186; Type 12  
IEC 60529, IP55

### APPLICATION

Simple, heavy-duty and cost-effective, this disconnect enclosure can be ordered with one to six doors to fit a range of applications.

### SPECIFICATIONS

- 11 gauge steel (121 inch)
- Seams continuously welded and ground smooth
- Body stiffeners in larger enclosures for extra rigidity
- Body flange trough excludes liquids and contaminants
- Heavy-duty lifting eyes anchor into reinforced top
- Removable centerposts permit easy panel installation
- Concealed, easy-to-remove hinges
- Heavy-duty 3-point latching mechanism operated by padlocking handle on all doors
- Panel supports
- Data pocket is high-impact thermoplastic
- Oil-resistant gasket
- Master door is far right-hand door on all enclosures
- Defeater on primary door requires a screwdriver to open
- Mechanical interlock activated by master door prevents slave doors from being opened first; doors can be closed in any order
- Universal cutout on right flange provides mounting for most disconnect operators by using operator adapters
- Models available with panel included or panel sold separately
- FTC models include removable painted 11 gauge steel panels which mount on collar studs
- Includes door hardware

### FINISH

Two finishes are available: ANSI 61 gray, polyester powder paint outside and inside; or ANSI 61 outside and white, polyester powder paint inside. Panels have white or conductive finish.

### ACCESSORIES

Panels for Type 3R, 4, 4X, 12 and 12 Enclosure  
Operator Adapters for Universal Cutouts  
PaneLite Enclosure Lights  
Floor Stand Kit  
SpectraCool Indoor/Outdoor  
HF Side-Mount Filter Fans  
Steel, Stainless Steel and Non-Metallic Window Kits  
Electric Heaters  
Hol-Sealers Hole Seals  
InterSafe Data Interface Ports, Type 4/4X/12

### MODIFICATION AND CUSTOMIZATION

nVent HOFFMAN excels at modifying and customizing products to your specifications. Contact your local nVent HOFFMAN office or distributor for complete information.

**BULLETIN: A28M1, A28M2, A28MM**

### Standard Product One-Door Enclosures

Catalog Number	AxBxC in.	AxBxC mm	Interior Finish	With or Without Panel	Painted Panel	Conductive Panel	Panel Size (in.)	Panel Size (mm)
A72XM2818FTCG	72.12 x 28.25 x 18.12	1832 x 718 x 460	Gray	With	A72PM28	A72PM28G	60.00 x 21.75	1524 x 552
A72XM2818FTC	72.12 x 28.25 x 18.12	1832 x 718 x 460	White	With	A72PM28	A72PM28G	60.00 x 21.75	1524 x 552
A72XM2818FTCLPG	72.12 x 28.25 x 18.12	1832 x 718 x 460	Gray	Without	—	—	—	—
A72XM2818FTCLP	72.12 x 28.25 x 18.12	1832 x 718 x 460	White	Without	—	—	—	—
A72XM3418FTCG	72.12 x 34.25 x 18.12	1832 x 870 x 460	Gray	With	A72PM34	A72PM34G	60.00 x 27.75	1524 x 705
A72XM3418FTC	72.12 x 34.25 x 18.12	1832 x 870 x 460	White	With	A72PM34	A72PM34G	60.00 x 27.75	1524 x 705
A72XM3418FTCLPG	72.12 x 34.25 x 18.12	1832 x 870 x 460	Gray	Without	—	—	—	—
A72XM3418FTCLP	72.12 x 34.25 x 18.12	1832 x 870 x 460	White	Without	—	—	—	—
A72XM4018FTCG	72.12 x 40.25 x 18.12	1832 x 1022 x 460	Gray	With	A72PM40	A72PM40G	60.00 x 33.75	1524 x 857
A72XM4018FTC	72.12 x 40.25 x 18.12	1832 x 1022 x 460	White	With	A72PM40	A72PM40G	60.00 x 33.75	1524 x 857
A72XM4018FTCLPG	72.12 x 40.25 x 18.12	1832 x 1022 x 460	Gray	Without	—	—	—	—
A72XM4018FTCLP	72.12 x 40.25 x 18.12	1832 x 1022 x 460	White	Without	—	—	—	—
A84XM4018FTCG	84.12 x 40.25 x 18.12	2137 x 1022 x 460	Gray	With	A84PM40	A84PM40G	72.00 x 33.75	1829 x 857
A84XM4018FTC	84.12 x 40.25 x 18.12	2137 x 1022 x 460	White	With	A84PM40	A84PM40G	72.00 x 33.75	1829 x 857
A84XM4018FTCLPG	84.12 x 40.25 x 18.12	2137 x 1022 x 460	Gray	Without	—	—	—	—
A84XM4018FTCLP	84.12 x 40.25 x 18.12	2137 x 1022 x 460	White	Without	—	—	—	—
A90XM4018FTCG	90.12 x 40.25 x 18.12	2289 x 1022 x 460	Gray	With	A90PM40	A90PM40G	78.00 x 33.75	1981 x 857
A90XM4018FTC	90.12 x 40.25 x 18.12	2289 x 1022 x 460	White	With	A90PM40	A90PM40G	78.00 x 33.75	1981 x 857
A90XM4018FTCLPG	90.12 x 40.25 x 18.12	2289 x 1022 x 460	Gray	Without	—	—	—	—
A90XM4018FTCLP	90.12 x 40.25 x 18.12	2289 x 1022 x 460	White	Without	—	—	—	—
A90XM4020FTCG	90.12 x 40.25 x 20.12	2289 x 1022 x 511	Gray	With	A90PM40	A90PM40G	78.00 x 33.75	1981 x 857
A90XM4020FTC	90.12 x 40.25 x 20.12	2289 x 1022 x 511	White	With	A90PM40	A90PM40G	78.00 x 33.75	1981 x 857
A90XM4020FTCLPG	90.12 x 40.25 x 20.12	2289 x 1022 x 511	Gray	Without	—	—	—	—
A90XM4020FTCLP	90.12 x 40.25 x 20.12	2289 x 1022 x 511	White	Without	—	—	—	—
A84XM4024FTCG	84.12 x 40.25 x 24.12	2137 x 1022 x 613	Gray	With	A84PM40	A84PM40G	72.00 x 33.75	1829 x 857
A84XM4024FTC	84.12 x 40.25 x 24.12	2137 x 1022 x 613	White	With	A84PM40	A84PM40G	72.00 x 33.75	1829 x 857



Standard Product **Four-Door Enclosures**

Catalog Number	AxBxC in.	AxBxC mm	Interior Finish	With or Without Panel	Large Painted Panel	Conductive Large Panel	Number of Large Panels	Size of Large Panels (in.)	Size of Large Panels (mm)
A84XM4EW18FTCG	84.12 x 158.00 x 18.12	2137 x 4013 x 460	Gray	With	A84PM78	A84PM78G	2	72.00 x 72.00	1829 x 1829
A84XM4EW18FTC	84.12 x 158.00 x 18.12	2137 x 4013 x 460	White	With	A84PM78	A84PM78G	2	72.00 x 72.00	1829 x 1829
A84XM4EW18FTCLPG	84.12 x 158.00 x 18.12	2137 x 4013 x 460	Gray	Without	—	—	—	—	—
A84XM4EW18FTCLP	84.12 x 158.00 x 18.12	2137 x 4013 x 460	White	Without	—	—	—	—	—
A90XM4EW18FTCG	90.12 x 158.00 x 18.12	2289 x 4013 x 460	Gray	With	A90PM78	A90PM78G	2	78.00 x 72.00	1981 x 1829
A90XM4EW18FTC	90.12 x 158.00 x 18.12	2289 x 4012 x 460	White	With	A90PM78	A90PM78G	2	78.00 x 72.00	1981 x 1829
A90XM4EW18FTCLPG	90.12 x 158.00 x 18.12	2289 x 4013 x 460	Gray	Without	—	—	—	—	—
A90XM4EW18FTCLP	90.12 x 158.00 x 18.12	2289 x 4013 x 460	White	Without	—	—	—	—	—
A84XM4EW24FTCG	84.12 x 158.00 x 24.12	2137 x 4013 x 613	Gray	With	A84PM78	A84PM78G	2	72.00 x 72.00	1829 x 1829
A84XM4EW24FTC	84.12 x 158.00 x 24.12	2137 x 4013 x 613	White	With	A84PM78	A84PM78G	2	72.00 x 72.00	1829 x 1829
A84XM4EW24FTCLPG	84.12 x 158.00 x 24.12	2137 x 4013 x 613	Gray	Without	—	—	—	—	—
A84XM4EW24FTCLP	84.12 x 158.00 x 24.12	2137 x 4013 x 613	White	Without	—	—	—	—	—
A90XM4EW24FTCG	90.12 x 158.00 x 24.12	2289 x 4013 x 613	Gray	With	A90PM78	A90PM78G	2	78.00 x 72.00	1981 x 1829
A90XM4EW24FTC	90.12 x 158.00 x 24.12	2289 x 4013 x 613	White	With	A90PM78	A90PM78G	2	78.00 x 72.00	1981 x 1829
A90XM4EW24FTCLPG	90.12 x 158.00 x 24.12	2289 x 4013 x 613	Gray	Without	—	—	—	—	—
A90XM4EW24FTCLP	90.12 x 158.00 x 24.12	2289 x 4013 x 613	White	Without	—	—	—	—	—

Enclosures with panel include a painted panel. Order conductive panels separately.

Standard Product **Five-Door Enclosures**

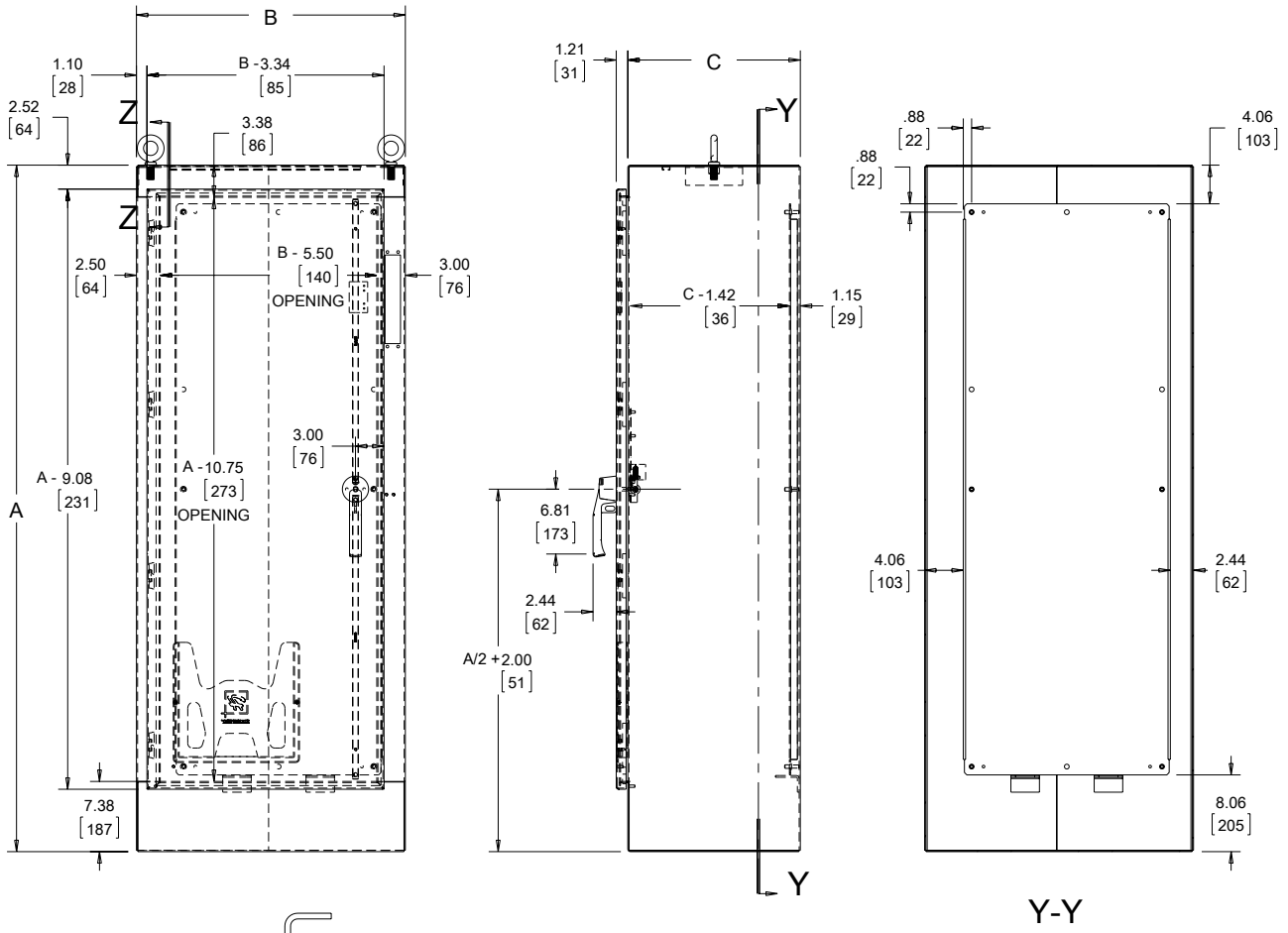
Catalog Number	AxBxC in.	AxBxC mm	Interior Finish	With or Without Panel	Large Painted Panel	Conductive Large Panel	No. of Large Panels	Large Panel Size (in.)	Large Panel Size (mm)	Small Painted Panel	Conductive Small Panel	No. of Small Panels	Small Panel Size (in.)	Small Panel Size (mm)
A84XM5EW18FTCG	84.12 x 197.75 x 18.12	2137 x 5023 x 460	Gray	With	A84PM78	A84PM78G	2	72.00 x 72.00	1829 x 1829	A84PM40	A84PM40G	1	72.00 x 33.75	1829 x 857
A84XM5EW18FTC	84.12 x 197.75 x 18.12	2137 x 5023 x 460	White	With	A84PM78	A84PM78G	2	72.00 x 72.00	1829 x 1829	A84PM40	A84PM40G	1	72.00 x 33.75	1829 x 857
A84XM5EW18FTCLPG	84.12 x 197.75 x 18.12	2137 x 5023 x 460	Gray	Without	—	—	—	—	—	—	—	—	—	—
A84XM5EW18FTCLP	84.12 x 197.75 x 18.12	2137 x 5023 x 460	White	Without	—	—	—	—	—	—	—	—	—	—
A90XM5EW18FTCG	90.12 x 197.75 x 18.12	2289 x 5023 x 460	Gray	With	A90PM78	A90PM78G	2	78.00 x 72.00	1981 x 1829	A90PM40	A90PM40G	1	78.00 x 33.75	1981 x 857
A90XM5EW18FTC	90.12 x 197.75 x 18.12	2289 x 5023 x 460	White	With	A90PM78	A90PM78G	2	78.00 x 72.00	1981 x 1829	A90PM40	A90PM40G	1	78.00 x 33.75	1981 x 857
A90XM5EW18FTCLPG	90.12 x 197.75 x 18.12	2289 x 5023 x 460	Gray	Without	—	—	—	—	—	—	—	—	—	—
A90XM5EW18FTCLP	90.12 x 197.75 x 18.12	2289 x 5023 x 460	White	Without	—	—	—	—	—	—	—	—	—	—
A84XM5EW24FTCG	84.12 x 197.75 x 24.12	2137 x 5023 x 613	Gray	With	A84PM78	A84PM78G	2	72.00 x 72.00	1829 x 1829	A84PM40	A84PM40G	1	72.00 x 33.75	1829 x 857
A84XM5EW24FTC	84.12 x 197.75 x 24.12	2137 x 5023 x 613	White	With	A84PM78	A84PM78G	2	72.00 x 72.00	1829 x 1829	A84PM40	A84PM40G	1	72.00 x 33.75	1829 x 857
A84XM5EW24FTCLPG	84.12 x 197.75 x 24.12	2137 x 5023 x 613	Gray	Without	—	—	—	—	—	—	—	—	—	—
A84XM5EW24FTCLP	84.12 x 197.75 x 24.12	2137 x 5023 x 613	White	Without	—	—	—	—	—	—	—	—	—	—
A90XM5EW24FTCG	90.12 x 197.75 x 24.12	2289 x 5023 x 613	Gray	With	A90PM78	A90PM78G	2	78.00 x 72.00	1981 x 1829	A90PM40	A90PM40G	1	78.00 x 33.75	1981 x 857
A90XM5EW24FTC	90.12 x 197.75 x 24.12	2289 x 5023 x 613	White	With	A90PM78	A90PM78G	2	78.00 x 72.00	1981 x 1829	A90PM40	A90PM40G	1	78.00 x 33.75	1981 x 857
A90XM5EW24FTCLPG	90.12 x 197.75 x 24.12	2289 x 5023 x 613	Gray	Without	—	—	—	—	—	—	—	—	—	—
A90XM5EW24FTCLP	90.12 x 197.75 x 24.12	2289 x 5023 x 613	White	Without	—	—	—	—	—	—	—	—	—	—

Enclosures with panel include a painted panel. Order conductive panels separately.

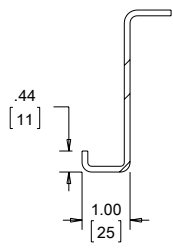
Standard Product **Six-Door Enclosures**

Catalog Number	AxBxC in.	AxBxC mm	Interior Finish	With or Without Panel	Large Painted Panel	Conductive Large Panel	Number of Large Panels	Size of Large Panels (in.)	Size of Large Panels (mm)
A84XM6EW24FTCG	84.12 x 236.00 x 24.12	2137 x 5994 x 613	Gray	With	A84PM78	A84PM78G	3	72.00 x 72.00	1829 x 1829
A84XM6EW24FTC	84.12 x 236.00 x 24.12	2137 x 5994 x 613	White	With	A84PM78	A84PM78G	3	72.00 x 72.00	1829 x 1829
A84XM6EW24FTCLPG	84.12 x 236.00 x 24.12	2137 x 5994 x 613	Gray	Without	—	—	—	—	—
A84XM6EW24FTCLP	84.12 x 236.00 x 24.12	2137 x 5994 x 613	White	Without	—	—	—	—	—
A90XM6EW24FTCG	90.12 x 236.00 x 24.12	2289 x 5994 x 613	Gray	With	A90PM78	A90PM78G	3	78.00 x 72.00	1981 x 1829
A90XM6EW24FTC	90.12 x 236.00 x 24.12	2289 x 5994 x 613	White	With	A90PM78	A90PM78G	3	78.00 x 72.00	1981 x 1829
A90XM6EW24FTCLPG	90.12 x 236.00 x 24.12	2289 x 5994 x 613	Gray	Without	—	—	—	—	—
A90XM6EW24FTCLP	90.12 x 236.00 x 24.12	2289 x 5994 x 613	White	Without	—	—	—	—	—

Enclosures with panel include a painted panel. Order conductive panels separately.



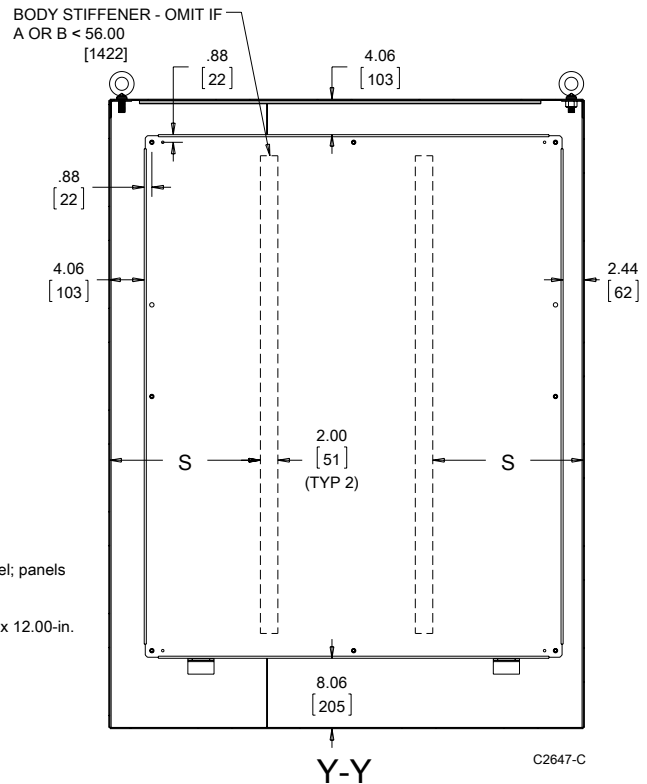
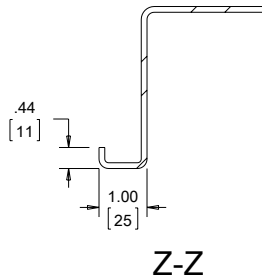
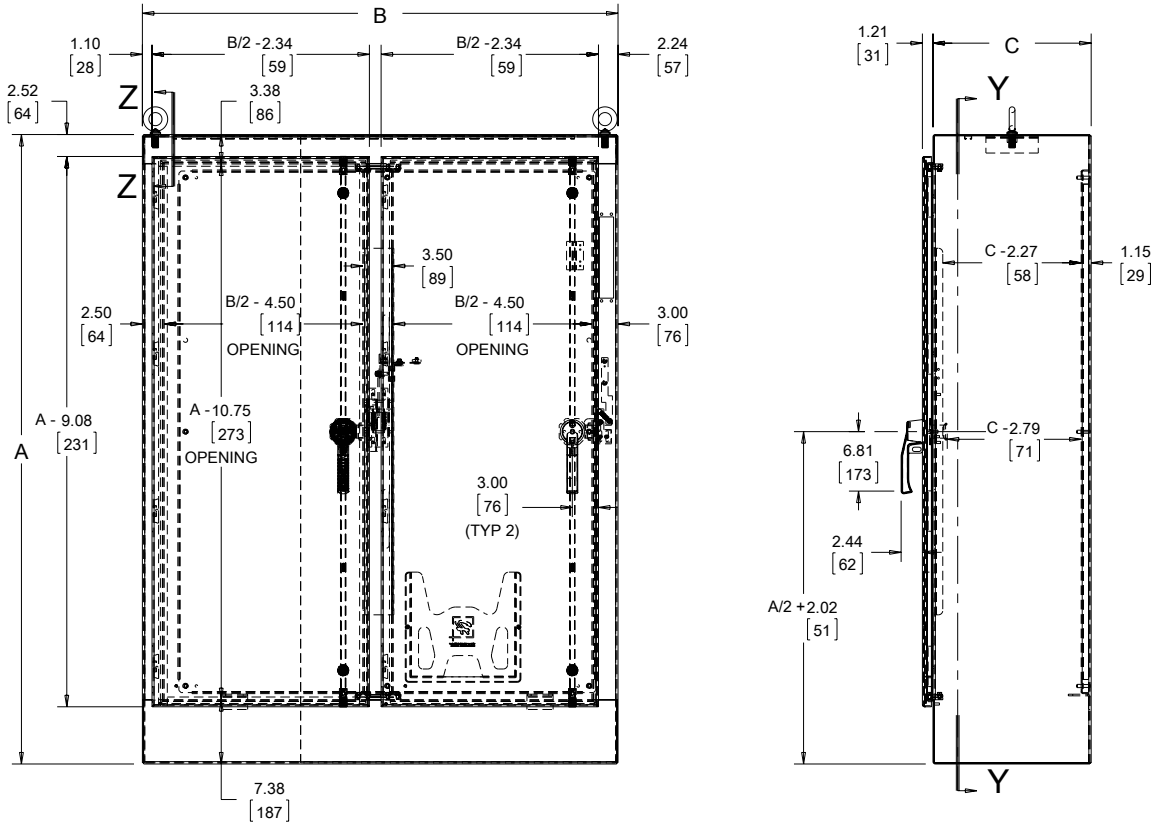
C2520-C



Z-Z

Note:  
 .121-in. steel panel is furnished with FTC enclosures.  
 FTCLP models are less panel; panels can be purchased separately.  
 See catalog table for size.

TWO-DOOR ENCLOSURE



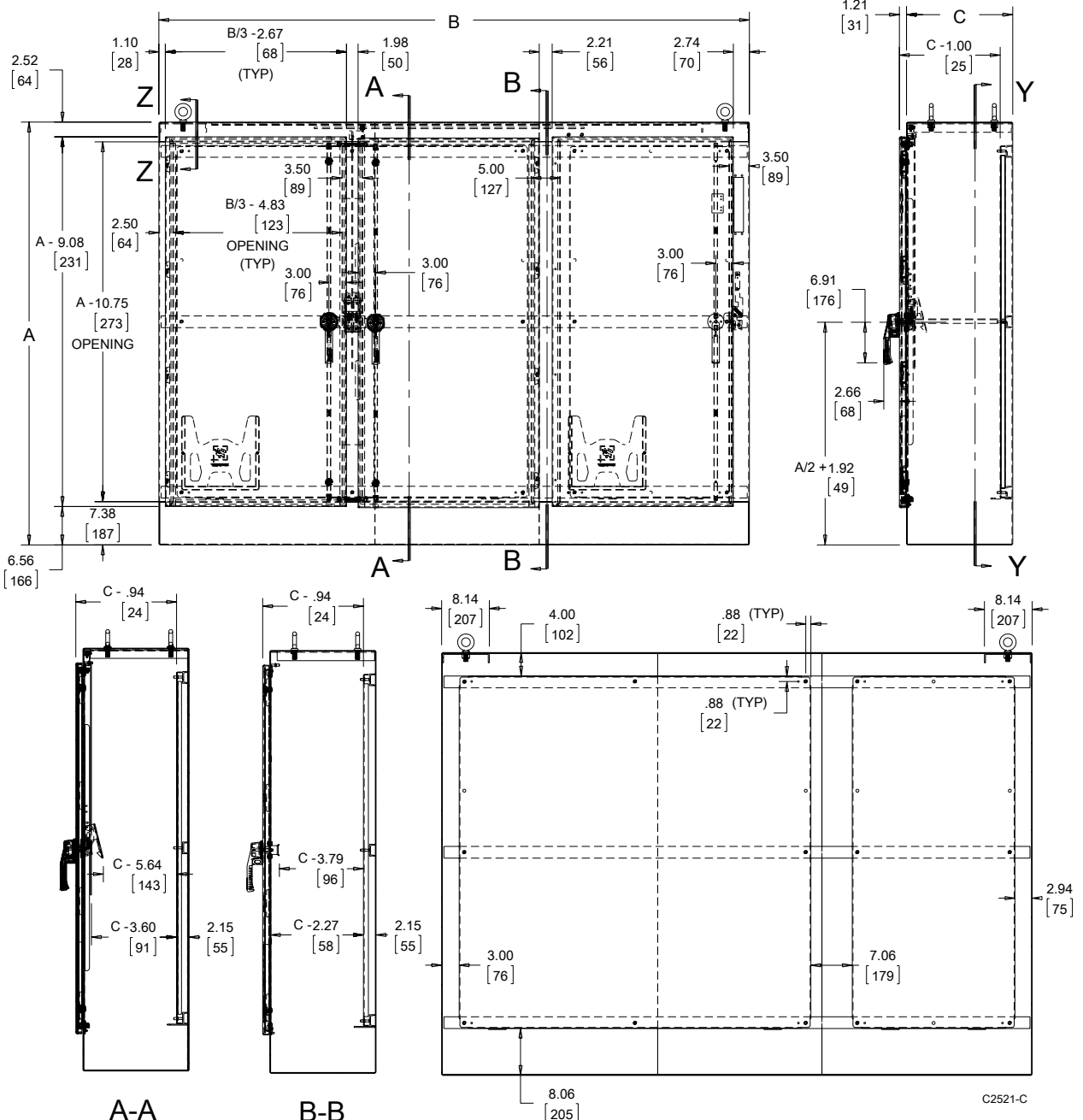
Notes:  
 .121-in. steel panel is furnished with FTC enclosures. FTCLP models are less panel; panels can be purchased separately. See catalog number table for size.

Right door is master door. All doors hinged on left side include a removable 12.00 x 12.00-in. [305 x 305 mm] data pocket.

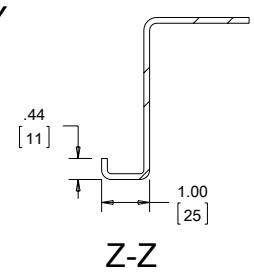
Number of panel mounting studs varies with panel width.

C2647-C

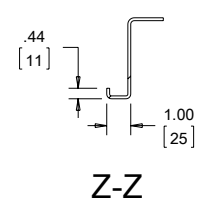
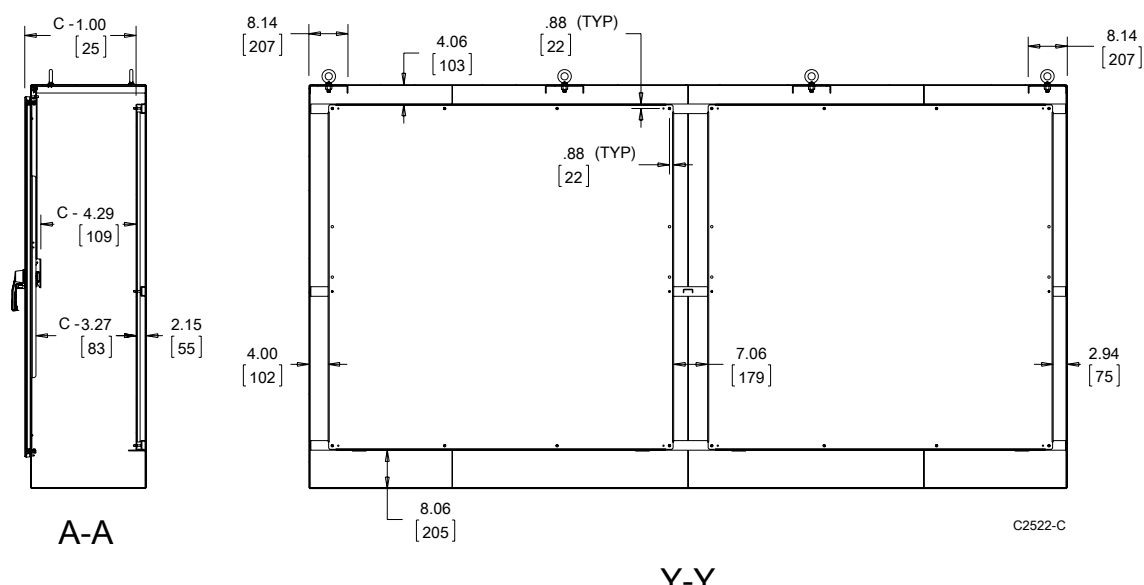
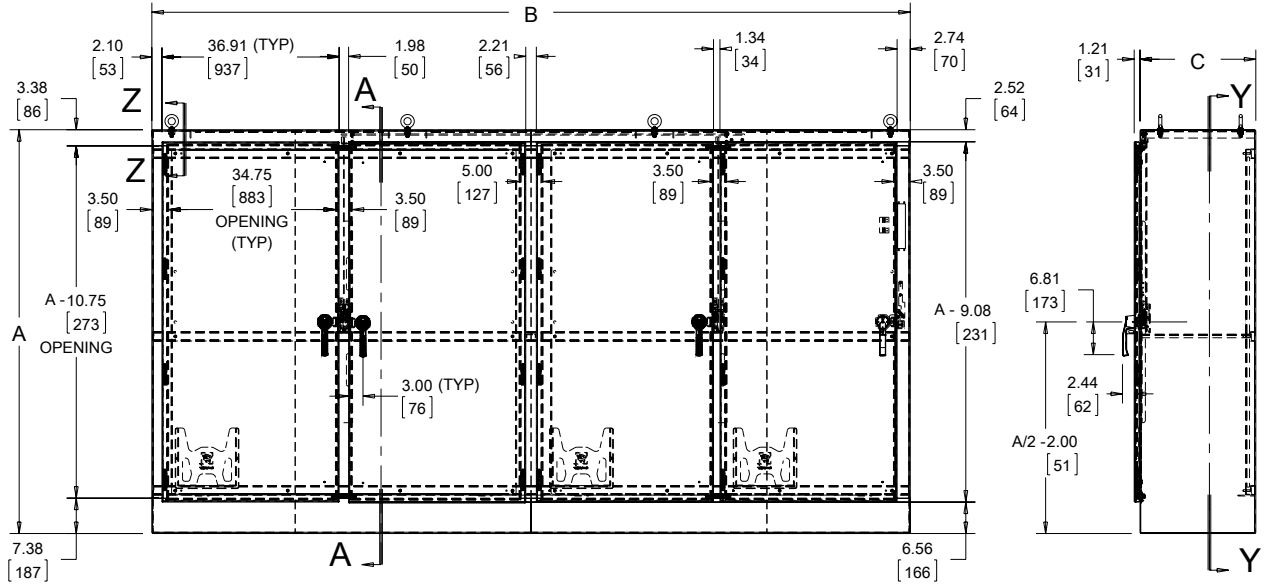
Three-Door Enclosure



Notes:  
 .121-in. steel panel is furnished with FTC enclosures. FTCLP models are less panel; panels can be purchased separately. See catalog number table for size.  
 Right door is master door. All doors hinged on left include a removable 12.00 x 12.00 in. [305 x 305 mm] data pocket.  
 Number of panel mounting studs varies with panel width.

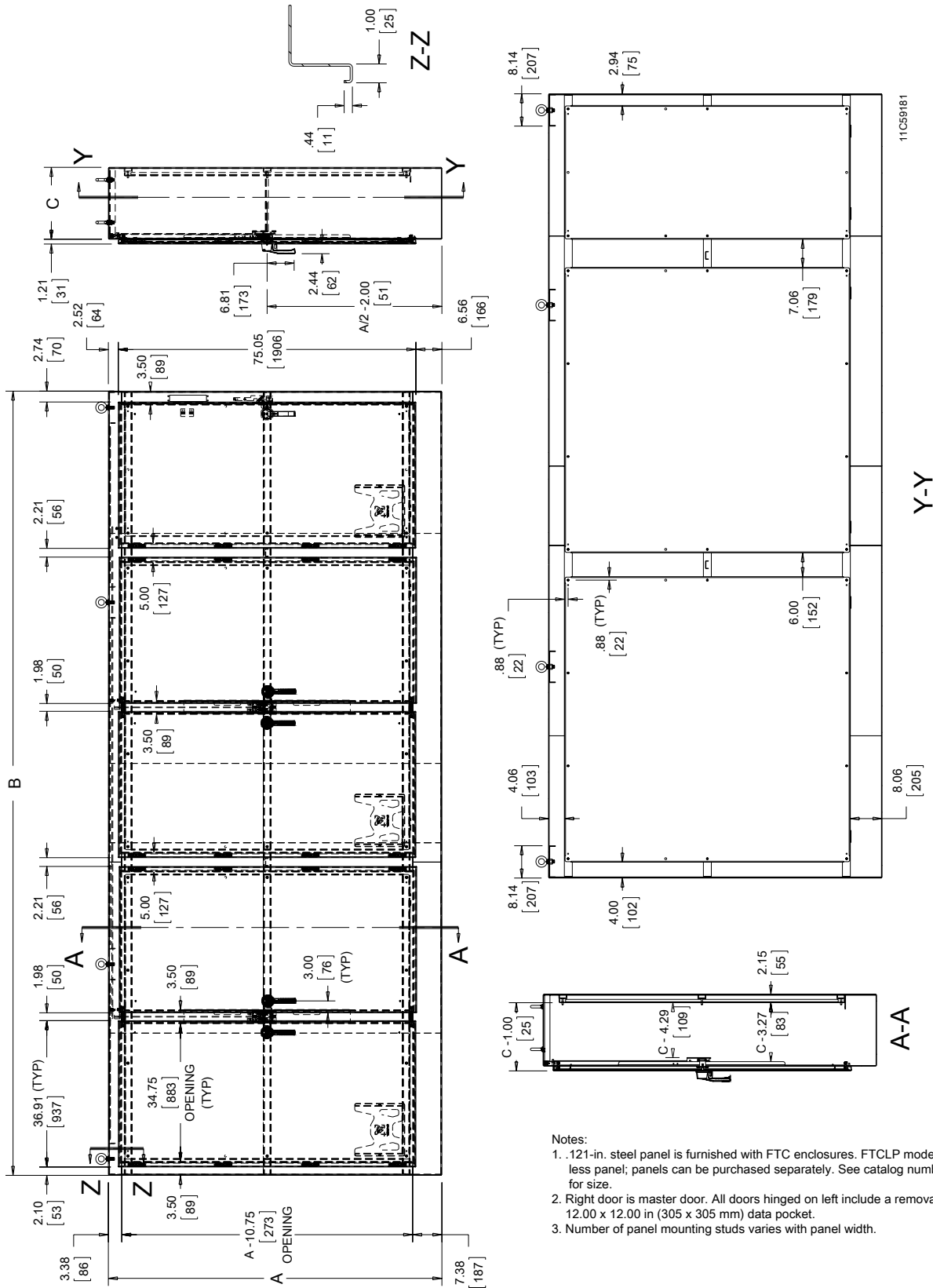


Four-Door Enclosure



NOTE:  
 1. .121-in. steel panel is furnished with FTC enclosures. FTCLP models are less panel; panels can be purchased separately. See catalog number table for size.  
 2. Right door is master door. All doors hinged on left include a removable 12.00 x 12.00 (305 x 305 mm) data pocket.

Five-Door Enclosure

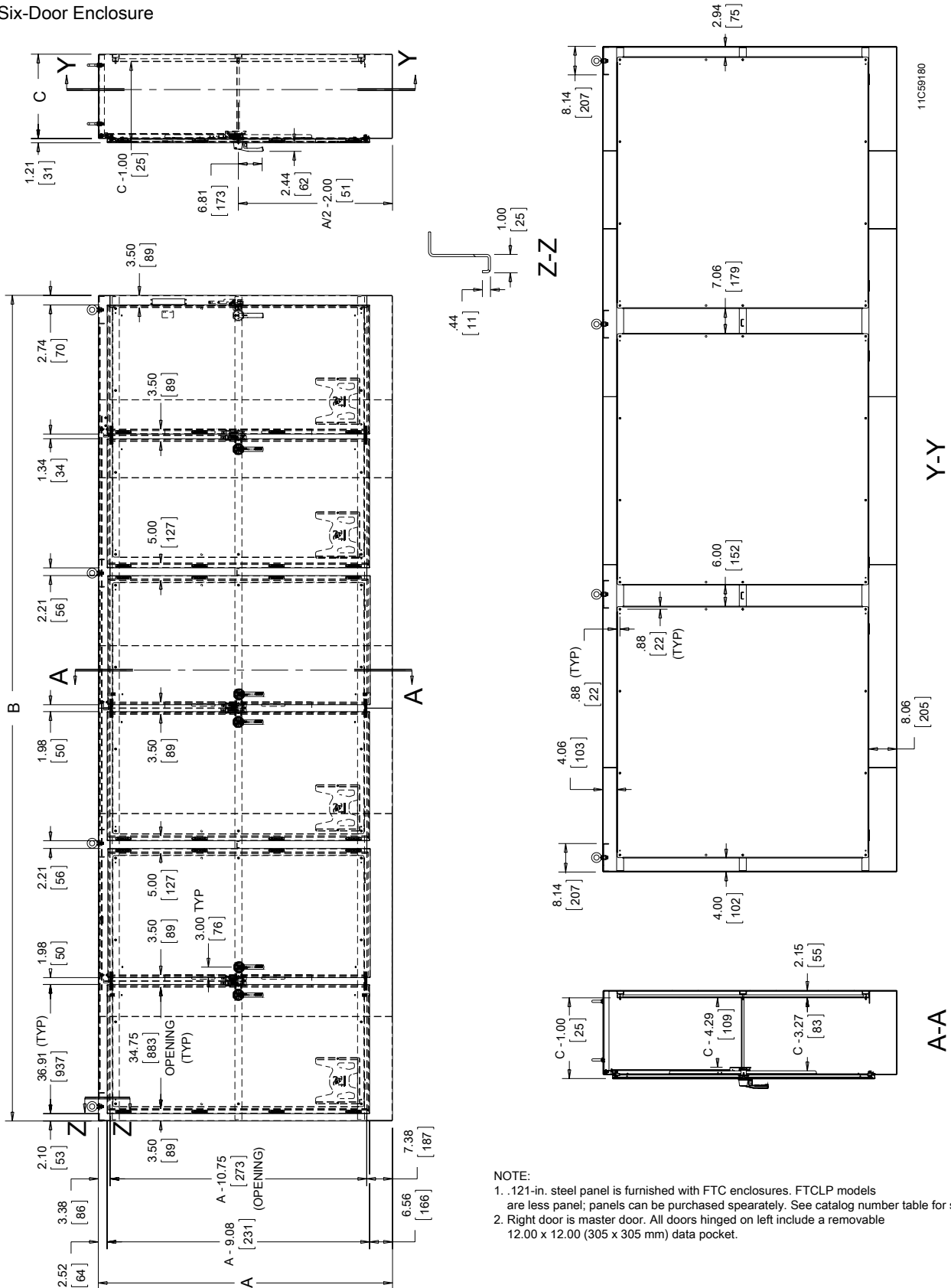


Notes:

1. .121-in. steel panel is furnished with FTC enclosures. FTCLP models are less panel; panels can be purchased separately. See catalog number table for size.
2. Right door is master door. All doors hinged on left include a removable 12.00 x 12.00 in (305 x 305 mm) data pocket.
3. Number of panel mounting studs varies with panel width.



Six-Door Enclosure



**NOTE:**

1. 121-in. steel panel is furnished with FTC enclosures. FTCLP models are less panel; panels can be purchased separately. See catalog number table for size.
2. Right door is master door. All doors hinged on left include a removable 12.00 x 12.00 (305 x 305 mm) data pocket.

## UNIVERSAL CUTOUT OVERVIEW



### APPLICATION

The universal cutout is used in large freestand and floorstand enclosures, i.e., Bulletins A21(S), A28(S), A34 and A4L3D. Operator Adapter Kits are required in order to install the various manufacturers' hardware. Note that 400A (or greater) disconnect switches and 600A (or greater) circuit breakers require the "Large" or "High Amp" cutout and large handle. A 200A (or less) disconnect switch and 400A (or less) circuit breaker require a small handle, which is provided in the ABL kit for Allen-Bradley variable-depth disconnect switches or the SITEL kit for Siemens (and select other manufacturers) flex-cable devices. The "Large" or "High Amp" cutout accepts the larger operating handle whose mounting hole centers are 6.500-in. apart.

Universal cutouts are designed to house the following:

#### Allen-Bradley

- Bulletin 1494F flange-mount disconnect switches and Bulletin 1494D flange-mount operators for circuit breakers

- Bulletin 1494V disconnect switches with flange-mount variable-depth operating mechanisms and Bulletin 1494V flange-mount variable-depth operating mechanisms for circuit breakers
- Bulletin 140U flexible cable operating mechanisms for 140U molded case circuit breakers
- Bulletin 140G flexible cable and variable depth flange-mount molded case circuit breakers
- Bulletin 1494C cable-operated disconnect switches with flange-mount handles
- Bulletin 194RC cable-operated flange-mount handles for use with the NFPA 79 compliant 194R IEC rotary disconnect switches

**ABB Controls** flange-mount variable-depth operating mechanisms for disconnect switches and circuit breakers. Also the cable version for circuit breakers.

**Eaton Cutler-Hammer** Type C361 disconnect switches and operator mechanisms, and Type C371 circuit breakers and circuit breaker operating mechanisms. Also Type SM safety handle mechanisms and FLEX SHAFT handle operators for circuit breakers.

**General Electric** Type STDA flange handles and variable-depth operating mechanisms for disconnect switches and circuit breakers. Also SPECTRAFLEX cable operators for circuit breakers.

**Siemens ITE MAX FLEX®** flange-mount variable-depth operating handles for disconnect switches and circuit breakers.

**Schneider Square D®** disconnect switches and circuit breakers used with Class 9422 flange-mount variable-depth operating mechanisms or cable mechanisms.

*These enclosures will NOT receive Class 9422 bracket-mount disconnect devices, Class 9422TG1 or TG2 devices.*

### Disconnect Enclosures with Universal Cutout

Universal cutout requires an operator adapter for the brand and type of disconnect being used. See Disconnect Enclosure Accessories to select the operator adapter.

### ORDERING

The disconnect switch, operating handle and operating mechanism must be ordered separately. See Technical Information in the nVent HOFFMAN Specifier's Guide for wire bend space available when various manufacturers' disconnect switches are installed. Check the enclosure dimension drawings to verify the chosen disconnect switch will fit in the enclosure.

All 24.12-in. (613-mm) and deeper enclosures require long connecting rods to be ordered in place of short connecting rods.