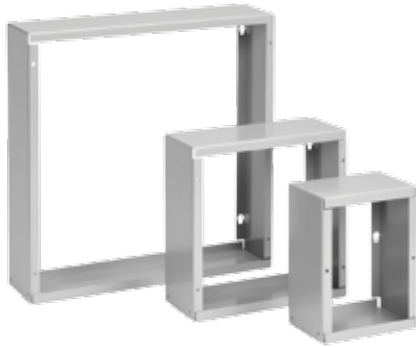


**SCREW-COVER PULL BOX EXTENDER, TYPE 1**

**INDUSTRY STANDARDS**

UL 50, 50E Listed; Type 1; File No. E27525 cUL Listed per CSA C22.2 No 40; Type 1; File No. E27525
---

NEMA /EEMAC Type 1  
IEC 60529, IP30

**APPLICATION**

The Pull Box Extender, or “Step-Up”, product is designed for commercial and general industrial applications that previously required a custom-sized pull box, or to create additional wiring space for existing pull box installations.

**FEATURES**

- Unique keyhole screw slots for easy installation
- Plated steel screws included to mount to pull box
- Compatible with Type 1 Pull Box accessories
- Maintains grounding between main enclosure and extender

**SPECIFICATIONS**

- 16 gauge mild steel or galvanized steel

**FINISH**

ANSI 61 gray polyester powder paint finish inside and out, or unpainted galvanized material.

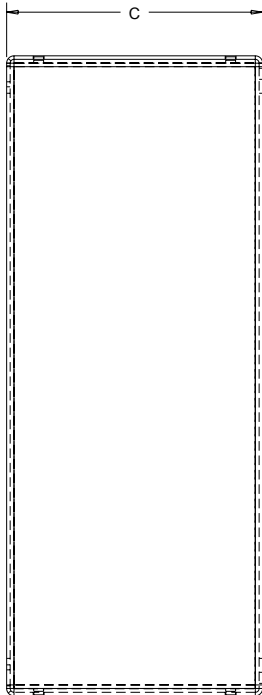
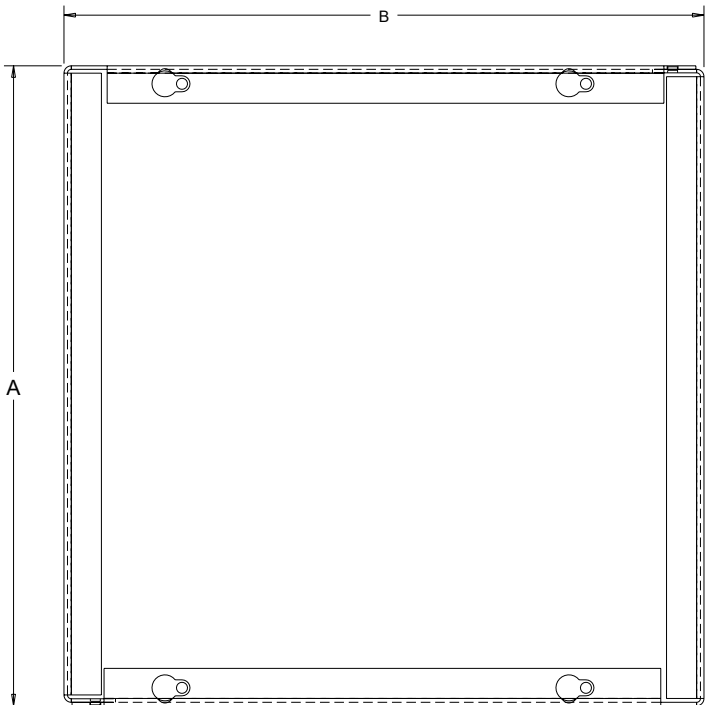
**ACCESSORIES**

Flush Covers  
 Flush-Mount Door Frames  
 Grounding Device  
 Type 1 Locking Window Pull Box Accessory  
 Touch-Up Paint

**BULLETIN: A90P1**

## Standard Product

Catalog Number	AxBxC in.	AxBxC mm	Style
A664SU	6.00 x 6.00 x 4.00	152 x 152 x 102	Painted
A664SUG	6.00 x 6.00 x 4.00	152 x 152 x 102	Galvanized
A864SU	8.00 x 6.00 x 4.00	203 x 152 x 102	Painted
A864SUG	8.00 x 6.00 x 4.00	203 x 152 x 102	Galvanized
A884SU	8.00 x 8.00 x 4.00	203 x 203 x 102	Painted
A884SUG	8.00 x 8.00 x 4.00	203 x 203 x 102	Galvanized
A1084SU	10.00 x 8.00 x 4.00	254 x 203 x 102	Painted
A1084SUG	10.00 x 8.00 x 4.00	254 x 203 x 102	Galvanized
A10104SU	10.00 x 10.00 x 4.00	254 x 254 x 102	Painted
A10104SUG	10.00 x 10.00 x 4.00	254 x 254 x 102	Galvanized
A1264SU	12.00 x 6.00 x 4.00	305 x 152 x 102	Painted
A1264SUG	12.00 x 6.00 x 4.00	305 x 152 x 102	Galvanized
A1284SU	12.00 x 8.00 x 4.00	305 x 203 x 102	Painted
A1284SUG	12.00 x 8.00 x 4.00	305 x 203 x 102	Galvanized
A12104SU	12.00 x 10.00 x 4.00	305 x 254 x 102	Painted
A12104SUG	12.00 x 10.00 x 4.00	305 x 254 x 102	Galvanized
A12124SU	12.00 x 12.00 x 4.00	305 x 305 x 102	Painted
A12124SUG	12.00 x 12.00 x 4.00	305 x 305 x 102	Galvanized
A16124SU	16.00 x 12.00 x 4.00	406 x 305 x 102	Painted
A16124SUG	16.00 x 12.00 x 4.00	406 x 305 x 102	Galvanized
A16164SU	16.00 x 16.00 x 4.00	406 x 406 x 102	Painted
A16164SUG	16.00 x 16.00 x 4.00	406 x 406 x 102	Galvanized
A18124SU	18.00 x 12.00 x 4.00	457 x 305 x 102	Painted
A18124SUG	18.00 x 12.00 x 4.00	457 x 305 x 102	Galvanized
A18184SU	18.00 x 18.00 x 4.00	457 x 457 x 102	Painted
A18184SUG	18.00 x 18.00 x 4.00	457 x 457 x 102	Galvanized
A24124SU	24.00 x 12.00 x 4.00	610 x 305 x 102	Painted
A24124SUG	24.00 x 12.00 x 4.00	610 x 305 x 102	Galvanized
A24184SU	24.00 x 18.00 x 4.00	610 x 457 x 102	Painted
A24184SUG	24.00 x 18.00 x 4.00	610 x 457 x 102	Galvanized
A24244SU	24.00 x 24.00 x 4.00	610 x 610 x 102	Painted
A24244SUG	24.00 x 24.00 x 4.00	610 x 610 x 102	Galvanized
A30244SU	30.00 x 24.00 x 4.00	762 x 610 x 102	Painted
A30244SUG	30.00 x 24.00 x 4.00	762 x 610 x 102	Galvanized
A30304SU	30.00 x 30.00 x 4.00	762 x 762 x 102	Painted
A30304SUG	30.00 x 30.00 x 4.00	762 x 762 x 102	Galvanized
A36244SU	36.00 x 24.00 x 4.00	914 x 610 x 102	Painted
A36244SUG	36.00 x 24.00 x 4.00	914 x 610 x 102	Galvanized
A36364SU	36.00 x 36.00 x 4.00	914 x 914 x 102	Painted
A36364SUG	36.00 x 36.00 x 4.00	914 x 914 x 102	Galvanized



89122662