

8

7

6

5

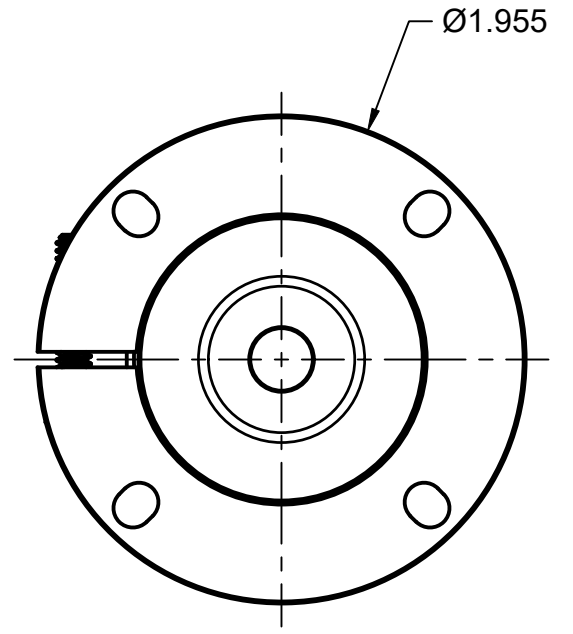
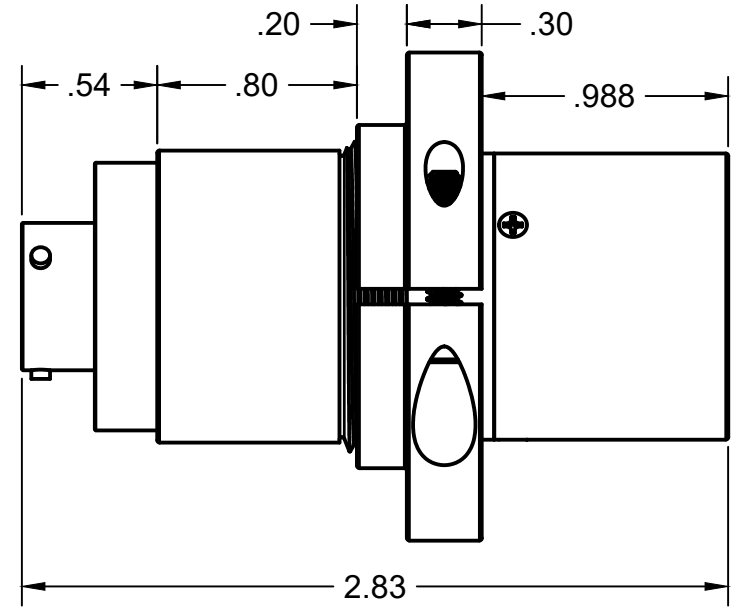
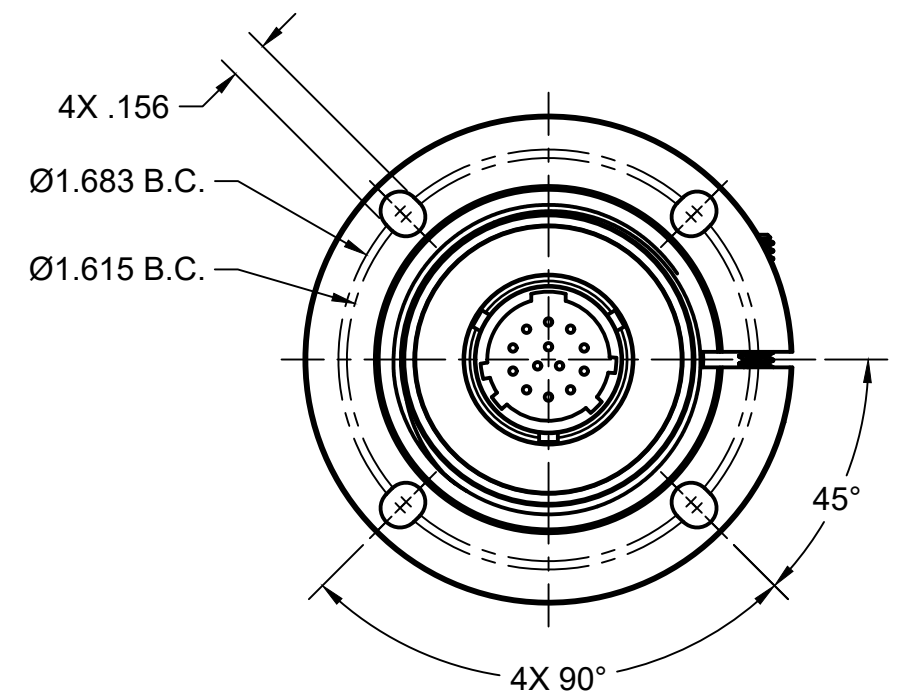
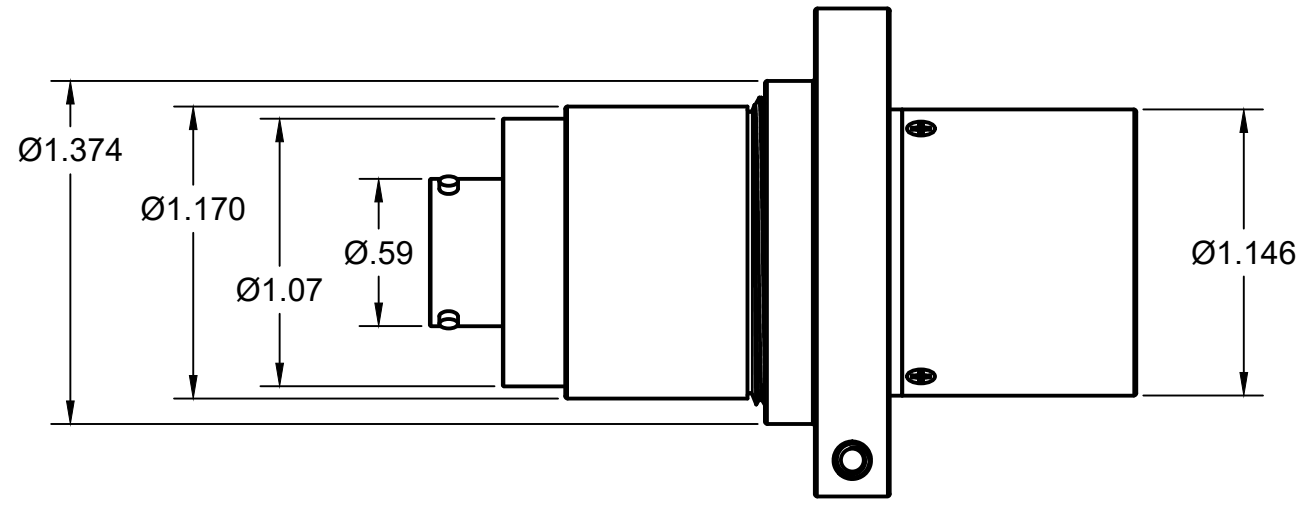
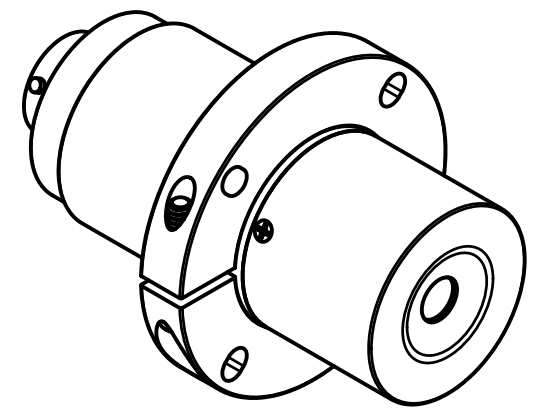
4

3

2

1

REVISION HISTORY			
REV	DESCRIPTION	DATE	APPROVED
01	INITIAL RELEASE	07-JAN-2020	TLR



UNLESS OTHERWISE SPECIFIED
DIM ARE IN INCHES
.XX ± .010
.XXX ± .005
ANGLE ± 1°
INTERPRET DIM AND TOL PER
ASME Y14.5-2009

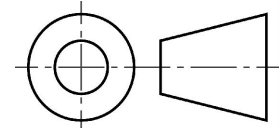


2645 FINANCIAL CT
SUITE O
SAN DIEGO, CA 92117

PART NUMBER
57T-501

TITLE
ASSY, TQCM

THIRD ANGLE PROJECTION



APPROVED	KEN MCKEOWN	1/8/2020	SIZE	CODE	DWG NO	REV
CHECKED			B		57T-501	01
DRAWN	THOMAS RODE	9/13/2019	SCALE	WEIGHT	SHEET 1/1	

8

7

6

5

4

3

2

1