

SAFETY INSTRUCTIONS

Pilot devices

Modular range, compact range

Doc. No. 1SFC151011M0201(06/23)

	<p>Attenzione: Tensione pericolosa! Fare riferimento alle istruzioni per l'uso. Prima di intervenire su questo dispositivo, scollegare e isolare tutte le fonti di alimentazione. Attenzione! L'installazione deve essere eseguita esclusivamente da un installatore qualificato.</p>
<p>تحذير: جهد كهربي خطير! راجع تعليمات التشغيل. افصل الكهرباء وقم بتأمينها قبل العمل في هذا الجهاز. تنبيه! يجب عدم التركيب إلا من خلال شخص على دراية بمجال التقنية الكهربائية.</p>	<p>[spėjimas: Pavojinga įtampa! Žr. naudojimo instrukcijas. Atjunkite ir laikinai užblokuokite maitinimą prieš dirbdami su šiuo įrenginiu. Dėmesio! Įrengti gali tik asmuo, turintis elektrotechniko patirties.</p>
<p>Предупреждение: Опасно напряжение! Вижте инструкциите за работа. Исключете и блокирайте захранването преди да работите с устройството. Внимание! Да се монтира само от експерт електротехник.</p>	<p>Brīdinājums: Bīstams spriegums! Skatiet darba norādījumus. Pirms sākat darbu ar šo ierīci, atvienojiet un bloķējiet strāvas padevi. Uzmanību! Uzstādīšanu drīkst veikt tikai persona ar zināšanām par elektrotehniku.</p>
<p>Varování: Nebezpečné napětí! Viz návod k obsluze. Před zahájením prací na tomto zařízení odpojte a uzamkněte napájení. Pozor! Toto zařízení smí instalovat pouze osoba s elektrotechnickou odborností.</p>	<p>Waarschuwing: Gevaarlijke spanning! Raadpleeg de installatie-instructies. Koppel dit apparaat los van de stroomvoorziening voordat u werkzaamheden uitvoert. Let op! Installatie mag alleen worden uitgevoerd door een monteur met elektrotechnische expertise.</p>
<p>Advarsel: Farlig elektrisk spænding! Se installationsinstruktioner. Frakobl enheden, og afbryd strømforsyningen, før du arbejder med denne enhed. Giv agt! Installation må kun foretages af personer med elektroteknisk ekspertise.</p>	<p>Advarsel: Farlig spenning! Se i bruksanvisningen. Koble fra og steng av strømmen før du arbeider på denne enheten. Forsiktig! Montering skal kun utføres av kvalifiserte personer med elektrokompetanse.</p>
<p>Warnung: Gefährliche Spannung! Siehe Installationsanleitung. Vor dem Arbeiten Gerät ausschalten und von der Spannungsversorgung trennen. Achtung! Installation nur durch elektrotechnische Fachkraft.</p>	<p>Ostrzeżenie: Niebezpieczne napięcie! Patrz: instrukcja instalacji. Przed rozpoczęciem wykonywania pracy z tym urządzeniem odłącz i zablokuj zasilanie. Uwaga! Montaż może wykonywać wyłącznie osoba posiadająca doświadczenie elektrotechniczne.</p>
<p>Προειδοποίηση: Επικίνδυνη τάση! Ανατρέξτε στις οδηγίες λειτουργίας. Αποσυνδέστε και απομονώστε την παροχή ισχύος προτού ξεκινήσετε τις εργασίες σε αυτήν τη συσκευή. Προσοχή! Η εγκατάσταση πρέπει να γίνεται μόνο από αδειούχο ηλεκτρολόγο εγκαταστάτη.</p>	<p>Aviso: Tensão perigosa! Consulte as instruções de instalação. Desconecte e desligue a energia elétrica antes de trabalhar nesse dispositivo. Atenção! A instalação deve ser feita apenas por uma pessoa com especialidade eletrotécnica.</p>
<p>Warning: Hazardous voltage! Refer to installation instructions. Disconnect and lock out power before working on this device. Attention! Installation by person with electrotechnical expertise only.</p>	<p>Avertisment: Tensiune electrică periculoasă! Consultați instrucțiunile de utilizare. Deconectați și închideți sursa de energie înainte de a lucra cu acest dispozitiv. Atenție! Instalarea trebuie realizată doar de către o persoană cu expertiză electrotehnică.</p>
<p>Advertencia: ¡Tensión peligrosa! Consulte las instrucciones de instalación. Antes de trabajar con este dispositivo, desconecte y bloquee la corriente. ¡Atención! La instalación debe ser realizada únicamente por un técnico electricista.</p>	<p>Предупреждение: Опасное электрическое напряжение! Обратитесь к инструкциям по монтажу. Отключите электропитание и обеспечьте безопасность перед началом работ. Внимание! Монтаж должен выполняться только специалистом по электротехническим работам.</p>
<p>Hoiatus: Elektrilöögi oht! Lisateavet vaadake kasutusjuhendist. Enne selle seadmega töötamist ühendage lahti ja lukustage toide. Tähelepanu! Seadet tohib paigaldada ainult elektrotehnilise kogemusega isik.</p>	<p>Výstraha: Nebezpečné napätie! Pozrite si návod na použitie. Pred začatím prác na tomto zariadení odpojte a zablokujte napájanie. Pozor! Inštaláciu smie vykonávať len osoba s odbornými znalosťami v oblasti elektrotechniky.</p>
<p>Varoitus: Vaarallinen jännite! Katso asennusohje. atkaise virta ja estä virran kytkeminen lukituksella ennen töiden aloittamista. Huomio! Asennuksen saa suorittaa vain henkilö, jolla on kokemusta sähkötekniikasta.</p>	<p>Opozorilo: Nevarna napetost! Glejte navodila za uporabo. Pred delom na tej napravi izklopite in zaklenite električno napajanje. Pozor! Namestitev sme izvesti samo elektrotehnični strokovnjak.</p>
<p>Avertissement: Tension dangereuse! Consultez les consignes d'installation. Débranchez et verrouillez l'alimentation électrique avant d'entreprendre des travaux sur cet appareil. Attention! L'installation doit être effectuée uniquement par une personne ayant une expertise en électrotechnique.</p>	<p>Varning: Livsfarlig spänning! Se i bruksanvisningen. Frånkoppla och blockera anläggning eller en anläggningsdel innan arbete utförs. Obs! Får endast installeras av behörig elektriker.</p>
<p>Upozorenje: Opasan napon! Pogledajte upute za ugradnju. Odspojite i isključite struju prije rada na ovom uređaju. Pažnja! Ugradnja je dopuštena samo osobama stručnim u području elektrotehnike.</p>	<p>Uyarı: Tehlikeli gerilim! Montaj talimatlarına bakın. Bu cihaz üzerinde çalışmadan önce elektriği kesin ve kilitleyin. Dikkat! Yalnızca elektroteknik uzmanlığına sahip kişiler tarafından kurulabilir.</p>
<p>Figyelmeztetés: Veszélyes feszültség! Lásd a használati utasítást. Válassza le és zárja ki az áramellátást, mielőtt a berendezésen dolgozni kezd. Figyelem! Az üzembe helyezés csak elektrotechnikai szakértelemmel rendelkező személy végezheti el.</p>	<p>警告 高压危险! 请参见操作手册。操作本设备前请断开并锁定电源。注意 安装仅限专业电工人员。</p>

Pilot devices

Legal claim

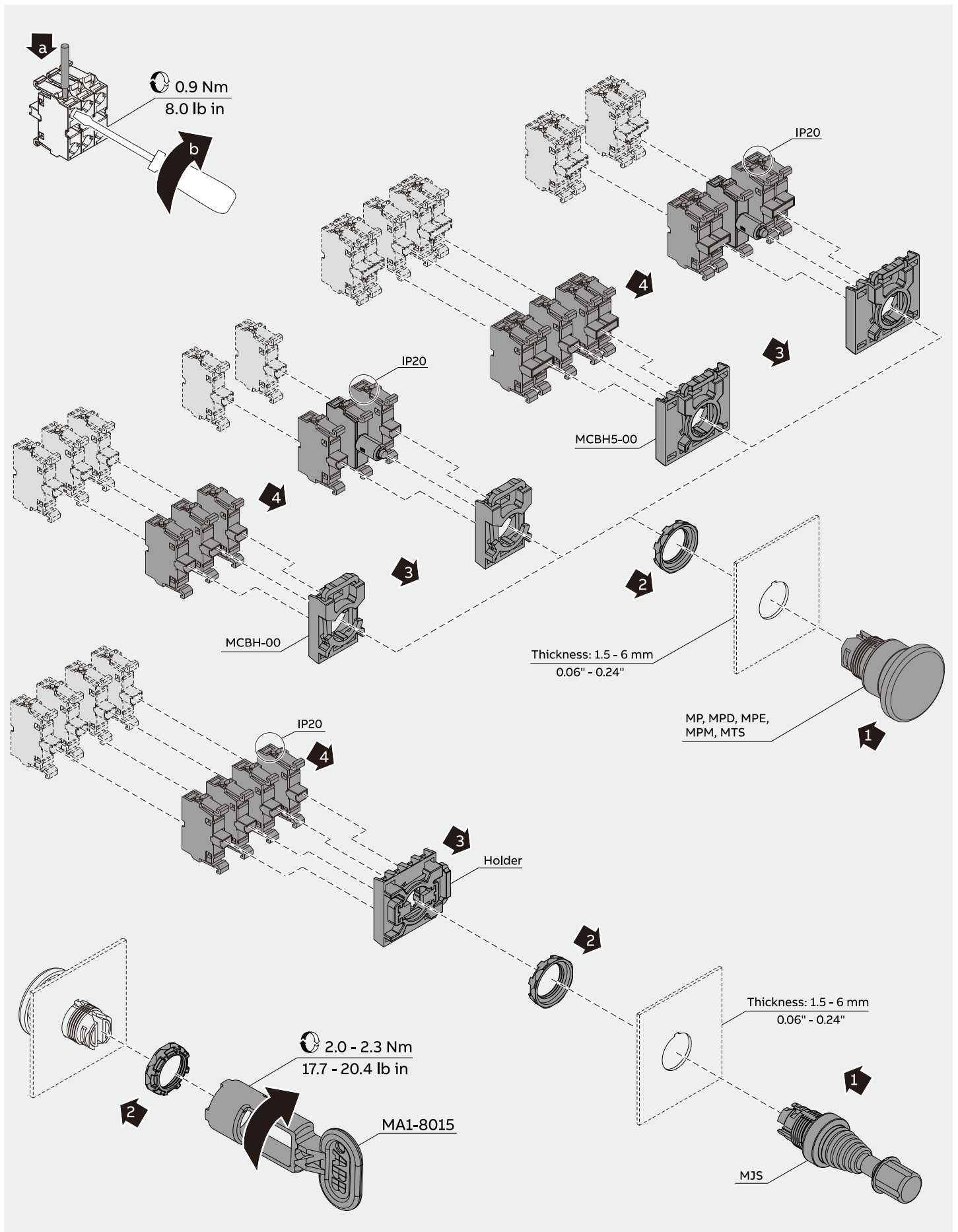
ABB shall not be responsible for conformity with any standards, codes, or regulations that apply to the combination of products in the customer's application or use of the product. At the customer's request, ABB will provide applicable third party certification documents identifying ratings and limitations of use that apply to the products. This information by itself is not sufficient for a complete determination of the suitability of the products in combination with the end product, machine, system, or other application or use. It is the responsibility of the user to ensure the correct overall functionality.

While every effort has been taken to ensure the accuracy of the information contained in this manual, ABB cannot accept any responsibility for errors or omissions and reserves the right to make changes and improvements without notice. Performance data given in this document is provided as a guide for the user in determining suitability and does not constitute a warranty.

INSTALLATION INSTRUCTIONS

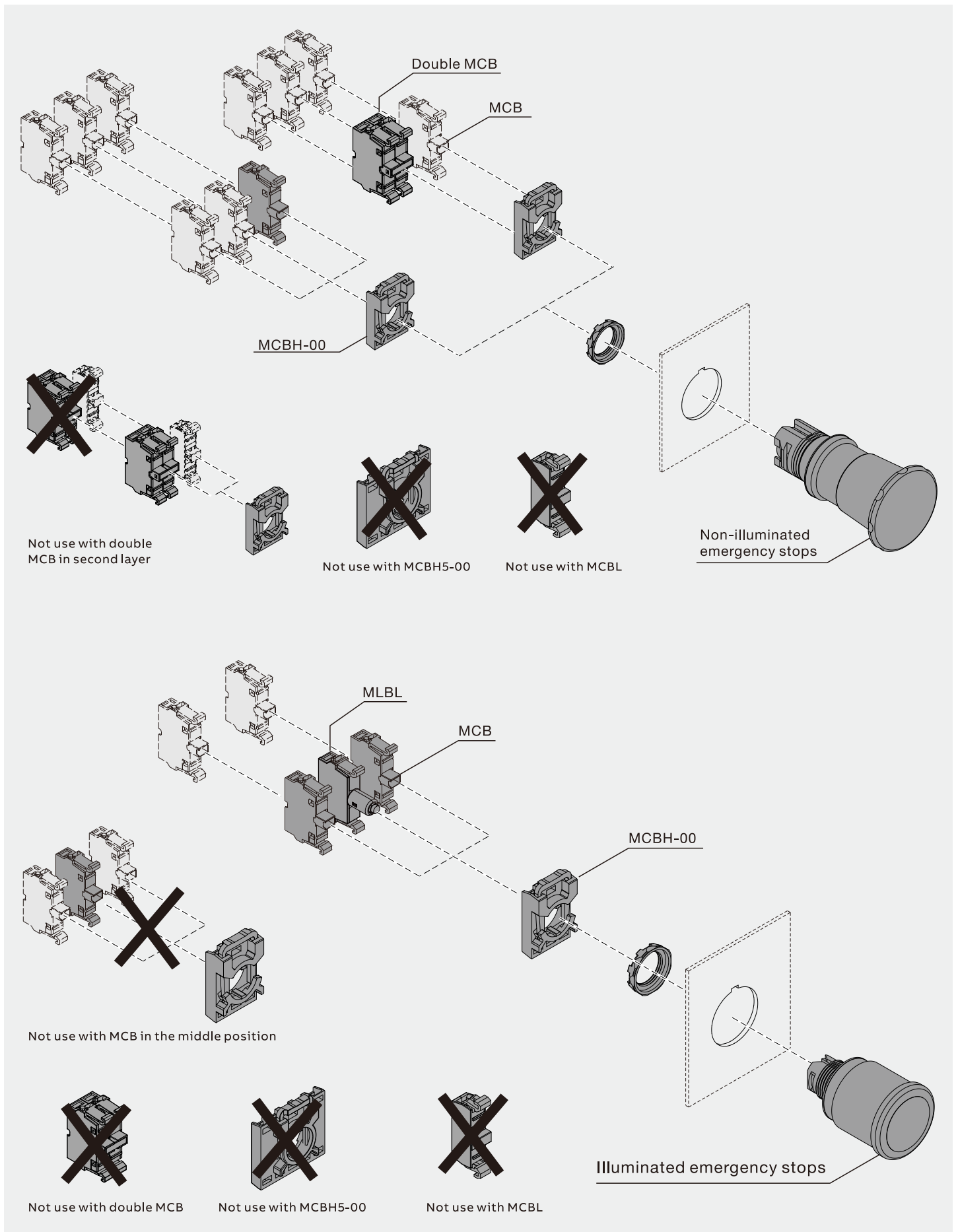
MP, MPD, MPE, MPM, MTS, MJS, MCB, MLBL

Pilot devices, modular plastic range



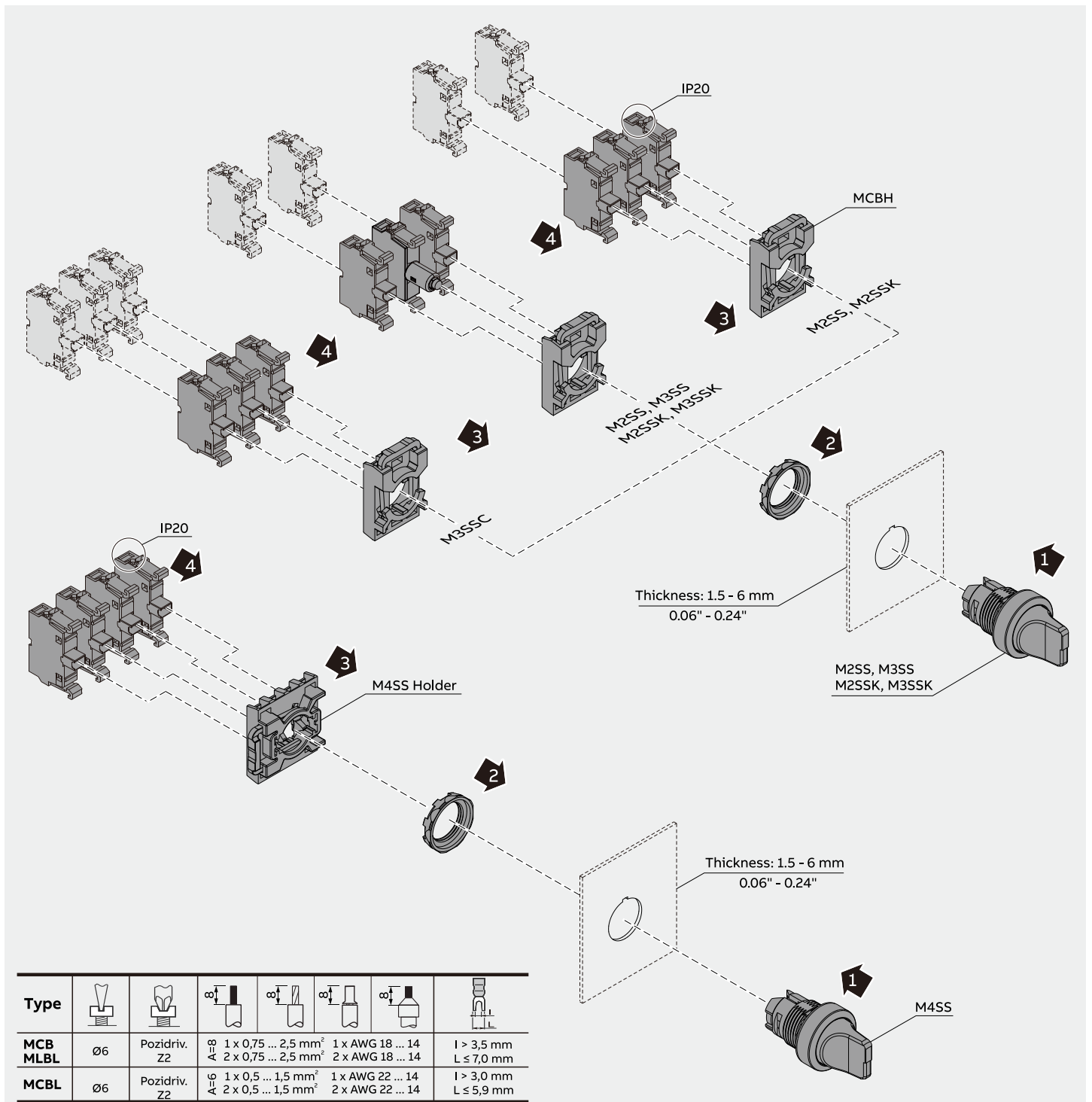
MPE, MPM, contact configuration

Pilot devices, modular plastic range



M2SS, M3SS, M4SS, M2SSK, M3SSK contact configuration

Pilot devices, modular plastic range

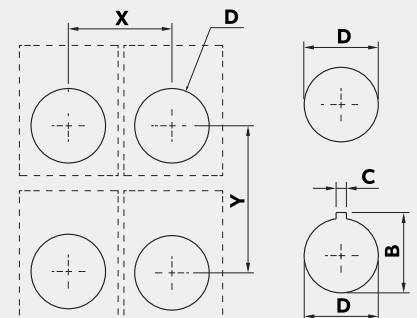


Type						
MCB MLBL	Ø6	Pozidriv. Z2	\varnothing 1 x 0,75 ... 2,5 mm ² \angle 2 x 0,75 ... 2,5 mm ²	1 x AWG 18 ... 14 2 x AWG 18 ... 14	I > 3,5 mm L ≤ 7,0 mm	
MCBL	Ø6	Pozidriv. Z2	\varnothing 1 x 0,5 ... 1,5 mm ² \angle 2 x 0,5 ... 1,5 mm ²	1 x AWG 22 ... 14 2 x AWG 22 ... 14	I > 3,0 mm L ≤ 5,9 mm	

Drilling plan

Description	X mm	X inch	Y mm	Y inch	Ø mm	D inch	B mm	B inch	C mm	C inch
Pushbutton, pilot light, selector switch short handle, potentiometer, toggle switch	31	1.22"	50	1.97"	Ø 22.3 ^{+0.4} ₀	0.88 ^{+0.016} ₀	24.1 ^{+0.4} ₀	0.95 ^{+0.016} ₀	3.2 ^{+0.2} ₀	0.13 ^{+0.008} ₀
Pushbutton, pilot light, selector switch short handle (with legend plate)	31	1.22"	55	2.17"	Ø 22.3 ^{+0.4} ₀	0.88 ^{+0.016} ₀	24.1 ^{+0.4} ₀	0.95 ^{+0.016} ₀	3.2 ^{+0.2} ₀	0.13 ^{+0.008} ₀
Mushroom pushbutton (40 mm)	45	2.56"	50	1.97"	Ø 22.3 ^{+0.4} ₀	0.88 ^{+0.016} ₀	24.1 ^{+0.4} ₀	0.95 ^{+0.016} ₀	3.2 ^{+0.2} ₀	0.13 ^{+0.008} ₀
Mushroom pushbutton (60 mm)	65	2.56"	70	2.76"	Ø 22.3 ^{+0.4} ₀	0.88 ^{+0.016} ₀	24.1 ^{+0.4} ₀	0.95 ^{+0.016} ₀	3.2 ^{+0.2} ₀	0.13 ^{+0.008} ₀
Double pushbutton	31	1.22"	55	2.17"	Ø 22.3 ^{+0.4} ₀	0.88 ^{+0.016} ₀	24.1 ^{+0.4} ₀	0.95 ^{+0.016} ₀	3.2 ^{+0.2} ₀	0.13 ^{+0.008} ₀
Double pushbutton (with legend plate)	31	1.22"	95	3.74"	Ø 22.3 ^{+0.4} ₀	0.88 ^{+0.016} ₀	24.1 ^{+0.4} ₀	0.95 ^{+0.016} ₀	3.2 ^{+0.2} ₀	0.13 ^{+0.008} ₀
Heavy duty pushbutton	50	1.97"	50	1.97"	Ø 22.3 ^{+0.4} ₀	0.88 ^{+0.016} ₀	24.1 ^{+0.4} ₀	0.95 ^{+0.016} ₀	3.2 ^{+0.2} ₀	0.13 ^{+0.008} ₀
Potentiometer (with legend plate)	51	2.01"	50	1.97"	Ø 22.3 ^{+0.4} ₀	0.88 ^{+0.016} ₀	24.1 ^{+0.4} ₀	0.95 ^{+0.016} ₀	3.2 ^{+0.2} ₀	0.13 ^{+0.008} ₀
Toggle switch (with legend plate)	31	1.22"	66	2.60"	Ø 22.3 ^{+0.4} ₀	0.88 ^{+0.016} ₀	24.1 ^{+0.4} ₀	0.95 ^{+0.016} ₀	3.2 ^{+0.2} ₀	0.13 ^{+0.008} ₀
Joystick (with legend plate)	100	3.94"	100	3.94"	Ø 22.3 ^{+0.4} ₀	0.88 ^{+0.016} ₀	24.1 ^{+0.4} ₀	0.95 ^{+0.016} ₀	3.2 ^{+0.2} ₀	0.13 ^{+0.008} ₀
5 block holder	51	2.01"	50	1.97"	Ø 22.3 ^{+0.4} ₀	0.88 ^{+0.016} ₀	24.1 ^{+0.4} ₀	0.95 ^{+0.016} ₀	3.2 ^{+0.2} ₀	0.13 ^{+0.008} ₀
30mm adaptor	42	1.65"	52	2.05"	Ø 30.5 ^{+0.5} ₀	1.20 ^{+0.02} ₀	33 ^{+0.5} ₀	1.30 ^{+0.02} ₀	5 ^{+0.2} ₀	0.20 ^{+0.008} ₀

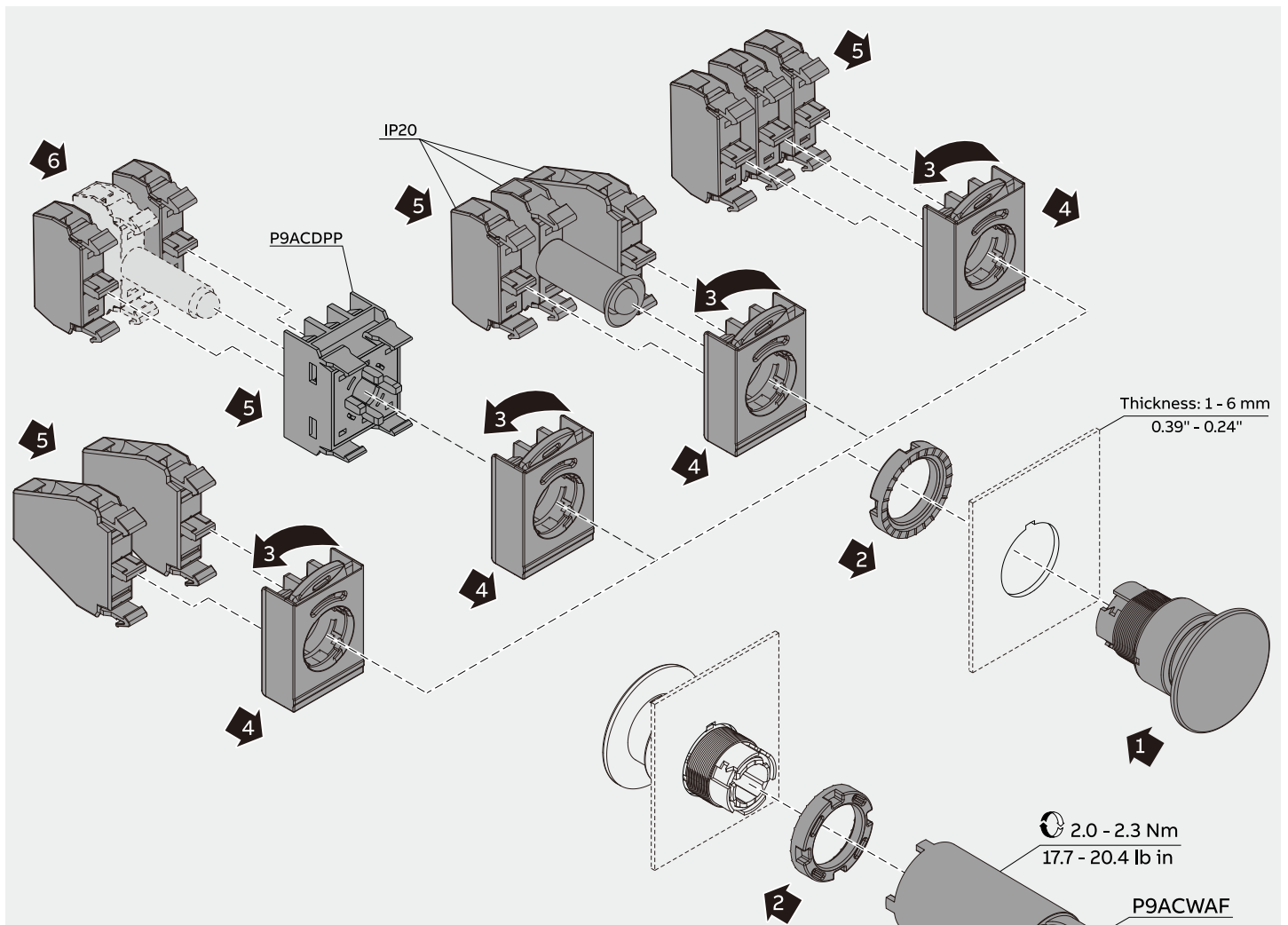
Note: Emergency stop cannot be used together with 5 position holder



INSTALLATION INSTRUCTIONS

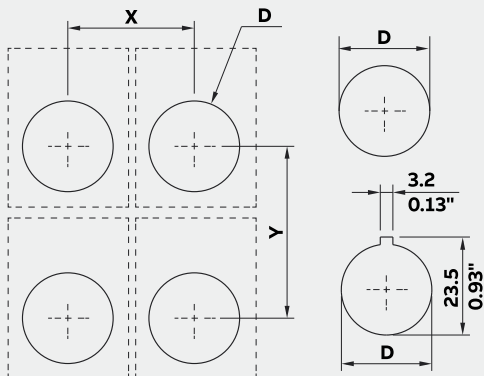
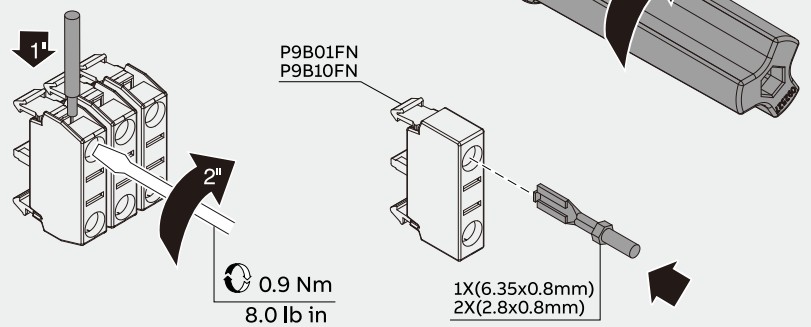
P9ML, P9MP, P9MS, P9MSC, P9MM, P9MC, P9MPS, P9XER4RAW, P9B, P9PL, P9PD

Pilot devices, modular metal range



Number of electrical contacts

Holder	Standard 3 positions	Optional 5 positions
Momentary pushbuttons	Max 6	Max 8
Momentary mushroom pushbuttons	Max 6	Max 8
Standard selector switches	Max 4	Max 8
Key selector switches	Max 4	Max 8
Selector pushbuttons	Max 4	
Toggle switches	Max 4	
P9X emergency stop	Max 4	
Illuminated pushbuttons	Max 4	Max 4
Illuminated momentary mushroom pushbuttons	Max 4	Max 4
Illuminated selector switches	Max 4	
Illuminated maintained mushroom pushbuttons	Max 2	Max 2



Type						
P9B,P9PL,P9PD	Ø6	Pozidriv. Z2	1 x 0,75 ... 2,5 mm ² 2 x 0,75 ... 2,5 mm ²	1 x AWG 18 ... 14 2 x AWG 18 ... 14		I > 3,5 mm L ≤ 7,0 mm

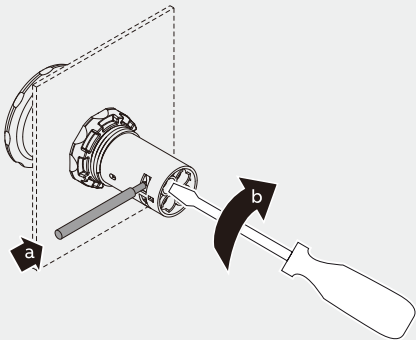
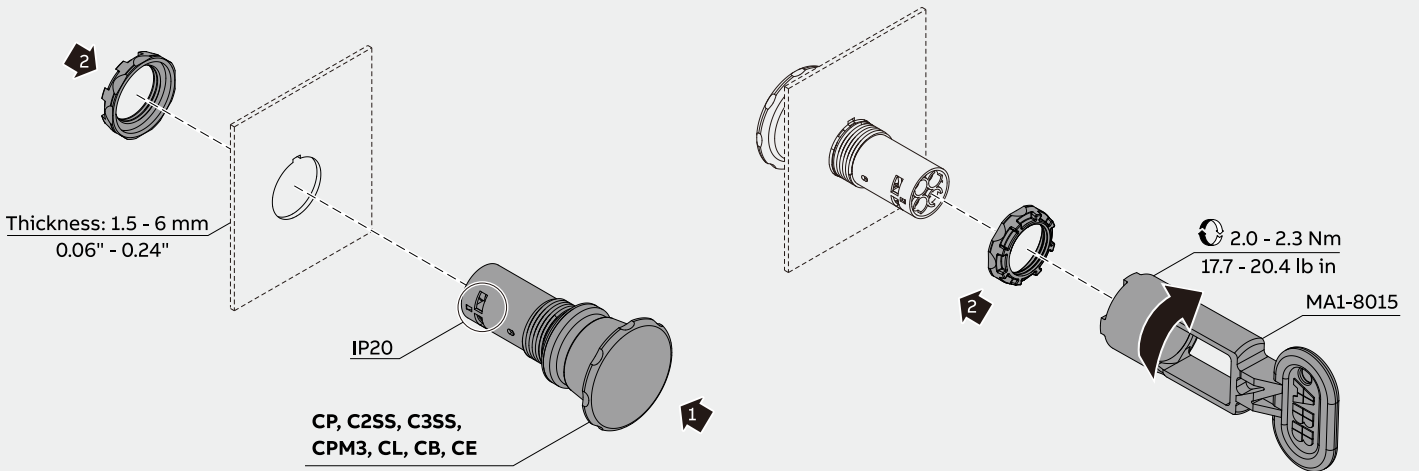
Drilling plan

Type	Description	mm X inch	mm Y inch	Ø mm D inch
P9ML, P9MP, P9MS, P9MSC, P9MM, P9MC, P9MPS, P9XER4RAW	Holder with 3 position	30 1.18"	50 1.97"	Ø23.5 0.93"
	Holder with 5 position	50 1.97"	50 1.97"	Ø23.5 0.93"

INSTALLATION INSTRUCTIONS

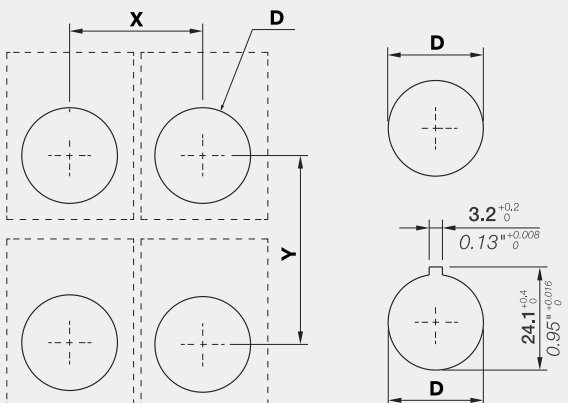
CP, C2SS, C3SS, CPM3, CL, CB, CE

Pilot devices, compact range



Type								
CP C2SS C3SS CPM3 CE	M3 0.8 N.m 7.1 lb in	Ø6	Pozidriv. Z2	1 x 0,5 ... 1,5 mm ² 2 x 0,5 ... 1,5 mm ² 1 x AWG 22 ... 14 2 x AWG 22 ... 14				I > 3,0 mm L ≤ 5,9 mm

Type								
CL CB	M3.5 0.9 N.m 8.0 lb in	Ø6	Pozidriv. Z2	1 x 0,75 ... 2,5 mm ² 2 x 0,75 ... 2,5 mm ² 1 x AWG 18 ... 14 2 x AWG 18 ... 14				I > 3,5 mm L ≤ 7,0 mm

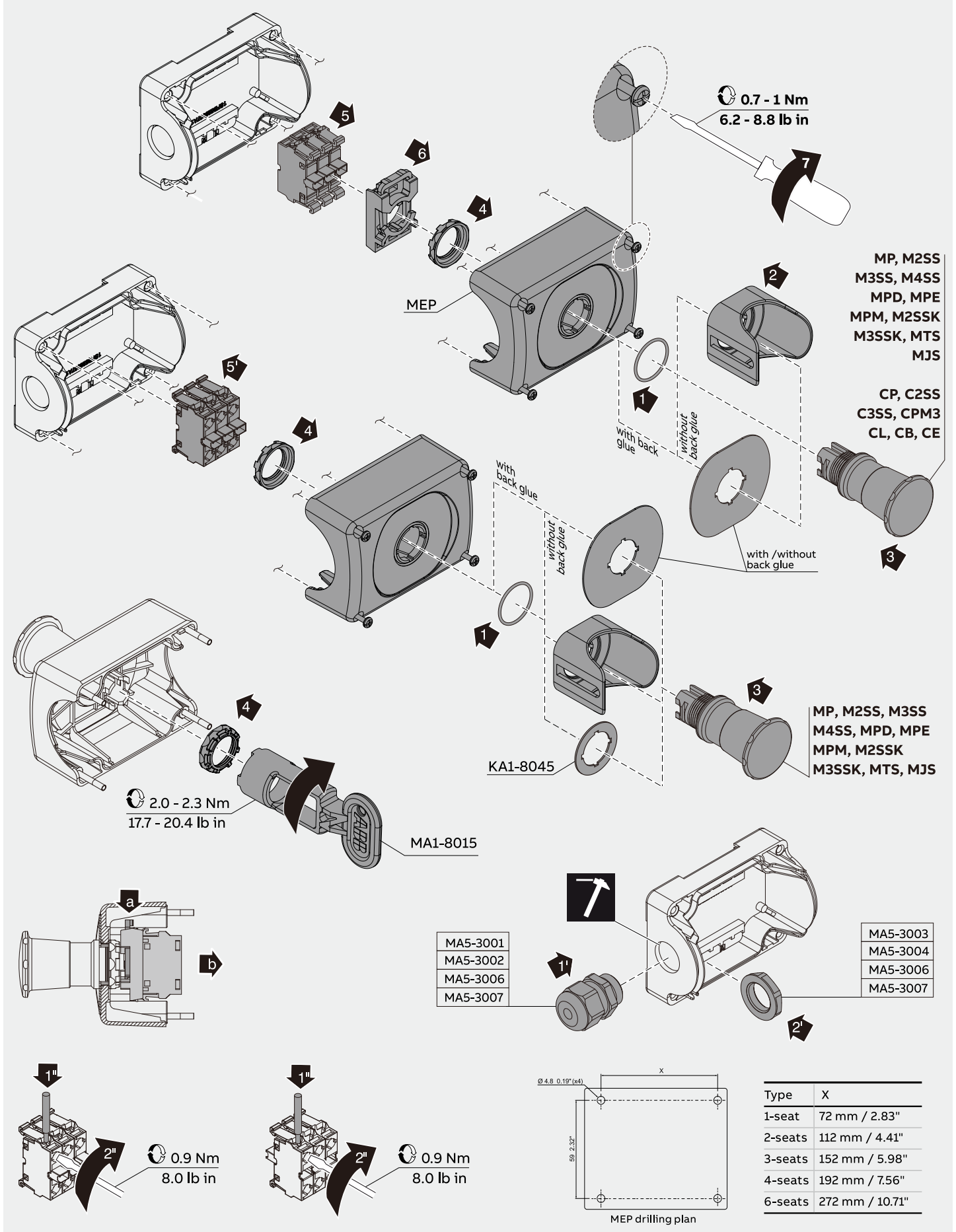


Drilling plan

Type	Description	X	Y	D
CP, CL CSS, CB	Pushbutton, Pilot light, Selector switch, Buzzer	31 1.22"	50 1.97"	Ø 22.3 ^{+0.4} ₀ 0.88" ^{+0.016} ₀
CP, CL CSS, CB	Pushbutton, Pilot light, Selector switch, Buzzer (with legend plate)	31 1.22"	55 2.17"	Ø 22.3 ^{+0.4} ₀ 0.88" ^{+0.016} ₀
CPM, CP6, CE	Mushroom pushbutton, Heavy duty pushbutton, Emergency stop pushbutton, Machine stop pushbutton	41 1.61"	55 2.17"	Ø 22.3 ^{+0.4} ₀ 0.88" ^{+0.016} ₀

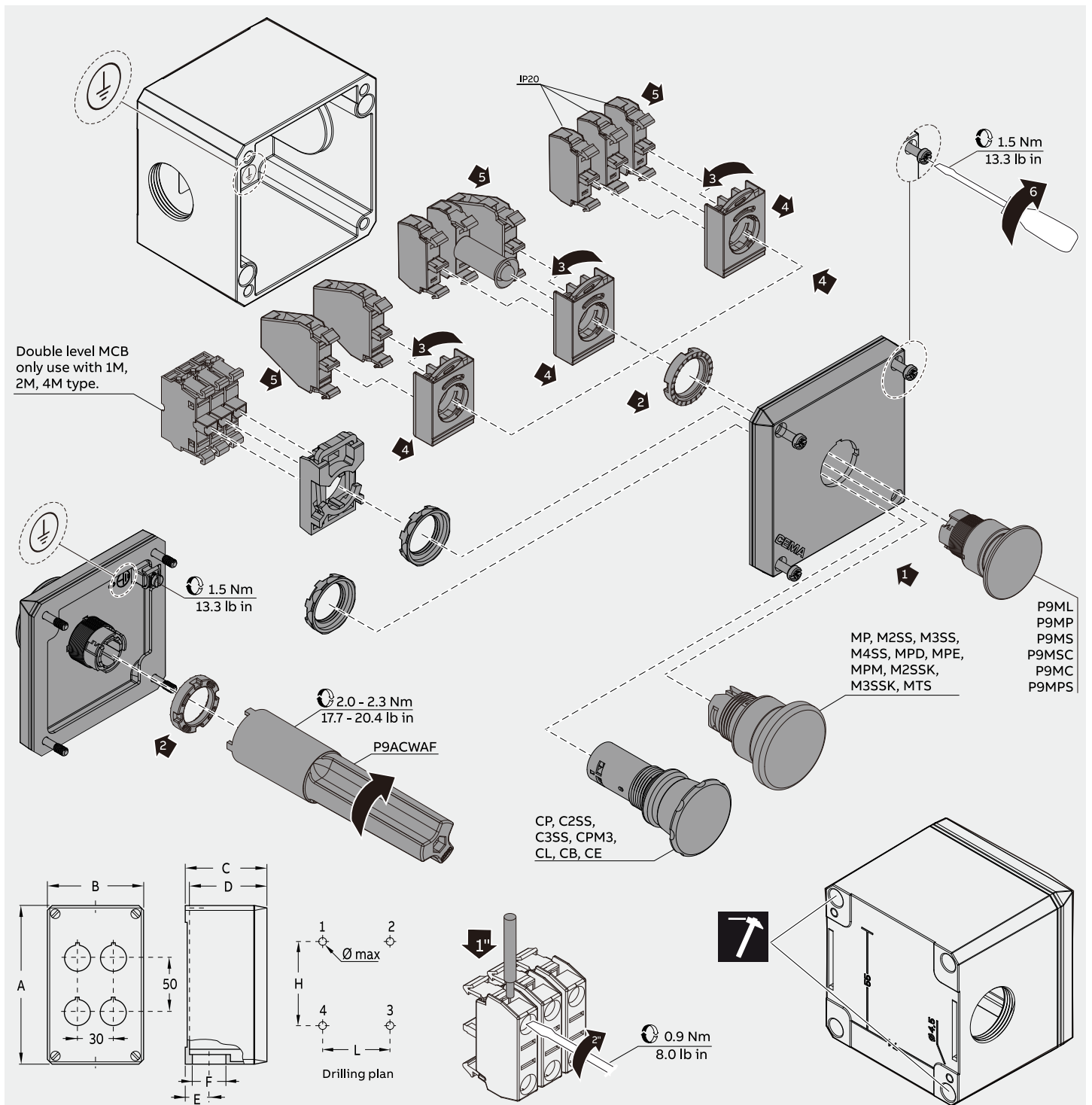
MEP, MEM, MEX

Pilot devices, modular plastic enclosures



080SP

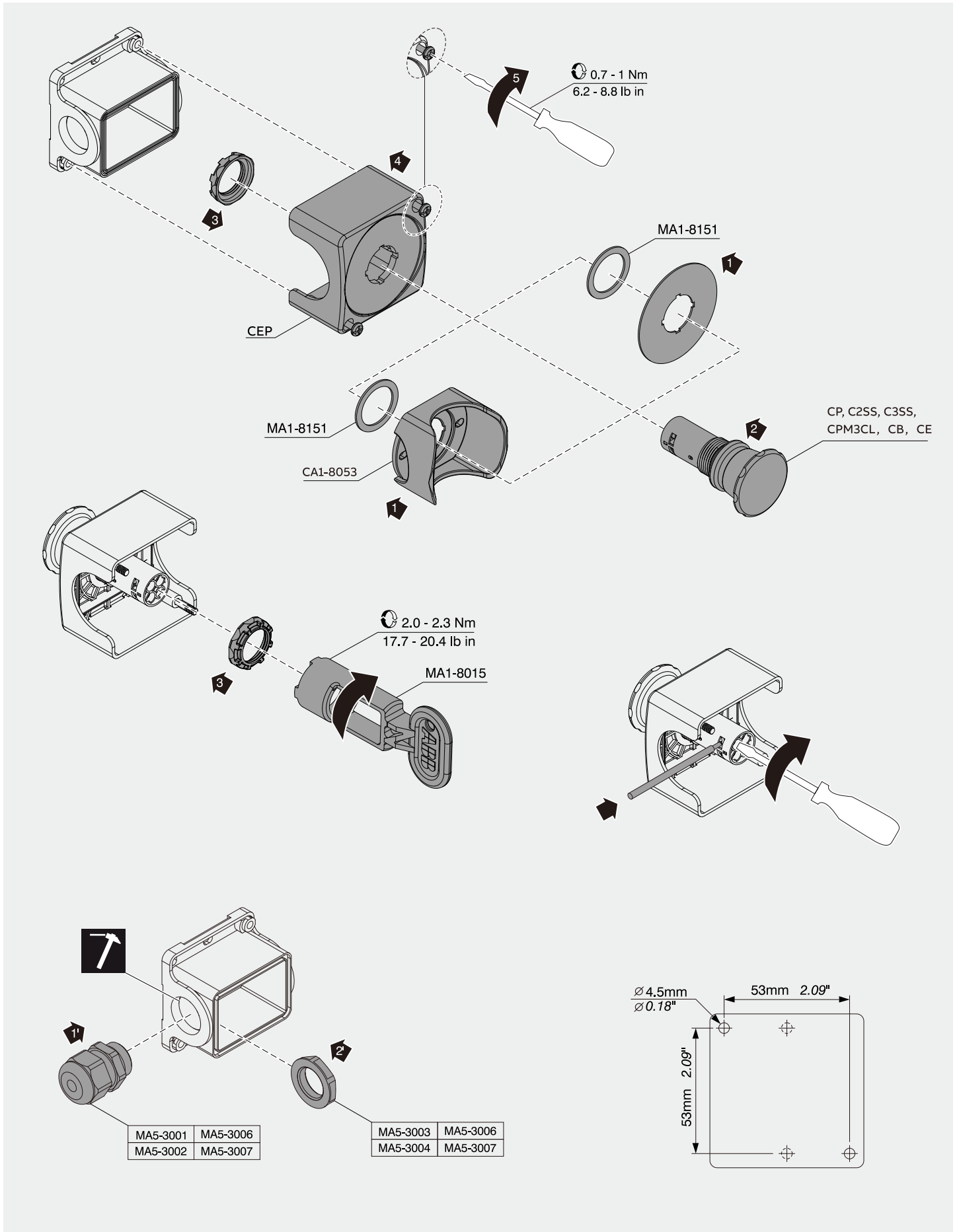
Pilot devices, metal enclosures



Size type	Holes Ø22		Dimensions										Drilling plan		Position of the holes	
	Vertic.	Horizont.	A mm	in	B mm	in	C mm	in	D mm	in	E mm	in	F	H x L x Ø max mm		in
1	1	-	87	3.43	87	3.43	75	2.95	72	2.83	21.5	0.85	PG 21	74x55x4	2.91x2.17x0.16	1-3
1M	1	-	87	3.43	87	3.43	100	3.94	97	3.82	21.5	0.85	PG 21	68x55x4	2.68x2.17x0.16	1-3
2	2	-	145	5.71	87	3.43	75	2.95	72	2.83	21.5	0.85	PG 21	132x55x4	5.2x2.17x0.16	1-3
2M	2	-	145	5.71	87	3.43	100	3.94	97	3.82	21.5	0.85	PG 21	126x55x4	4.96x2.17x0.16	1-3
3	3	-	195	7.68	87	3.43	100	3.94	97	3.82	21.5	0.85	PG 21	176x55x4	6.93x2.17x0.16	1-3
4	2	2	145	5.71	87	3.43	75	2.95	72	2.83	21.5	0.85	PG 21	132x55x4	5.2x2.17x0.16	1-3
4M	2	2	145	5.71	87	3.43	100	3.94	97	3.82	21.5	0.85	PG 21	126x55x4	4.96x2.17x0.16	1-3
6	3	2	195	7.68	87	3.43	100	3.94	97	3.82	21.5	0.85	PG 21	176x55x4	6.93x2.17x0.16	1-3
8	2	4	152	5.98	152	5.98	101.5	4	98.5	3.88	27	1.06	PG 29	136x119x6	5.35x4.69x0.24	1-2-3-4
12	3	4	205	8.07	230	9.06	101.5	4	98.5	3.88	27	1.06	PG 29	172x214x6	6.77x8.43x0.24	1-2-3-4
18	3	6	257	10.12	300	11.81	101.5	4	98.5	3.88	35	1.38	PG 36	221x282x6	8.7x11.1x0.24	1-2-3-4
24	4	6	257	10.12	300	11.81	101.5	4	98.5	3.88	35	1.38	PG 36	221x282x6	8.7x11.1x0.24	1-2-3-4

CEP

Pilot devices, compact plastic enclosure

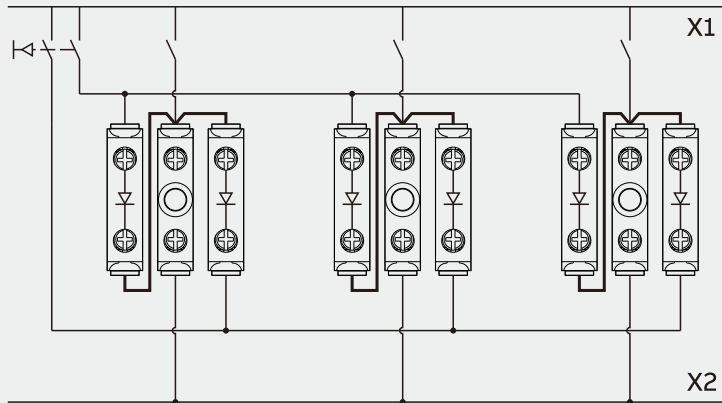


INSTALLATION INSTRUCTIONS

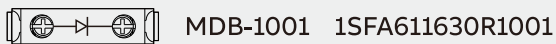
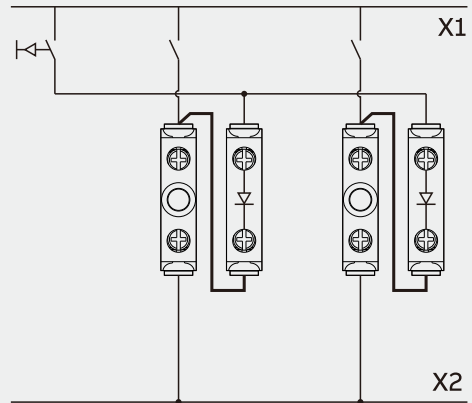
MDB

Pilot devices, contact block

For AC application
Max 250VAC



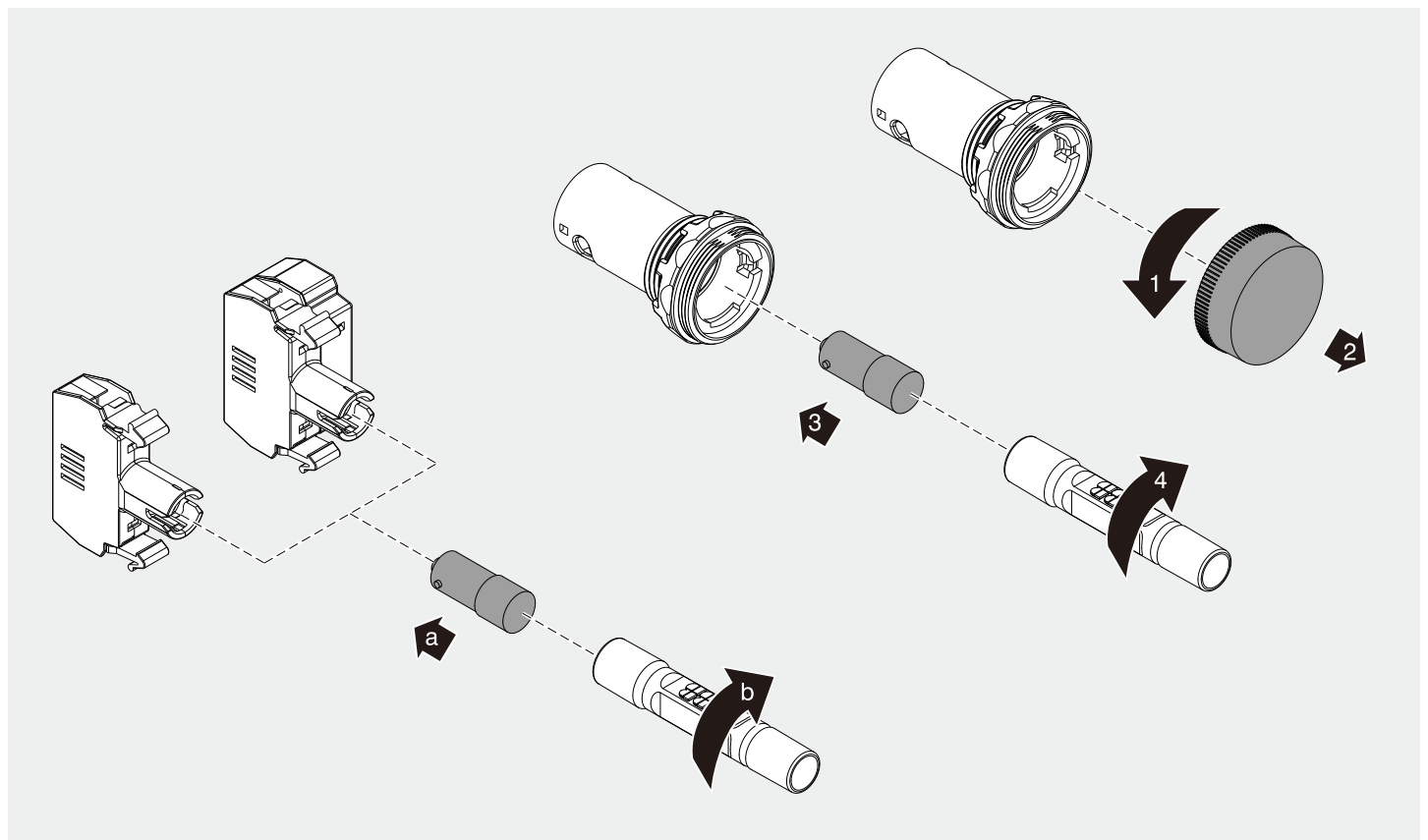
For DC application
Max 250DC



INSTALLATION INSTRUCTIONS

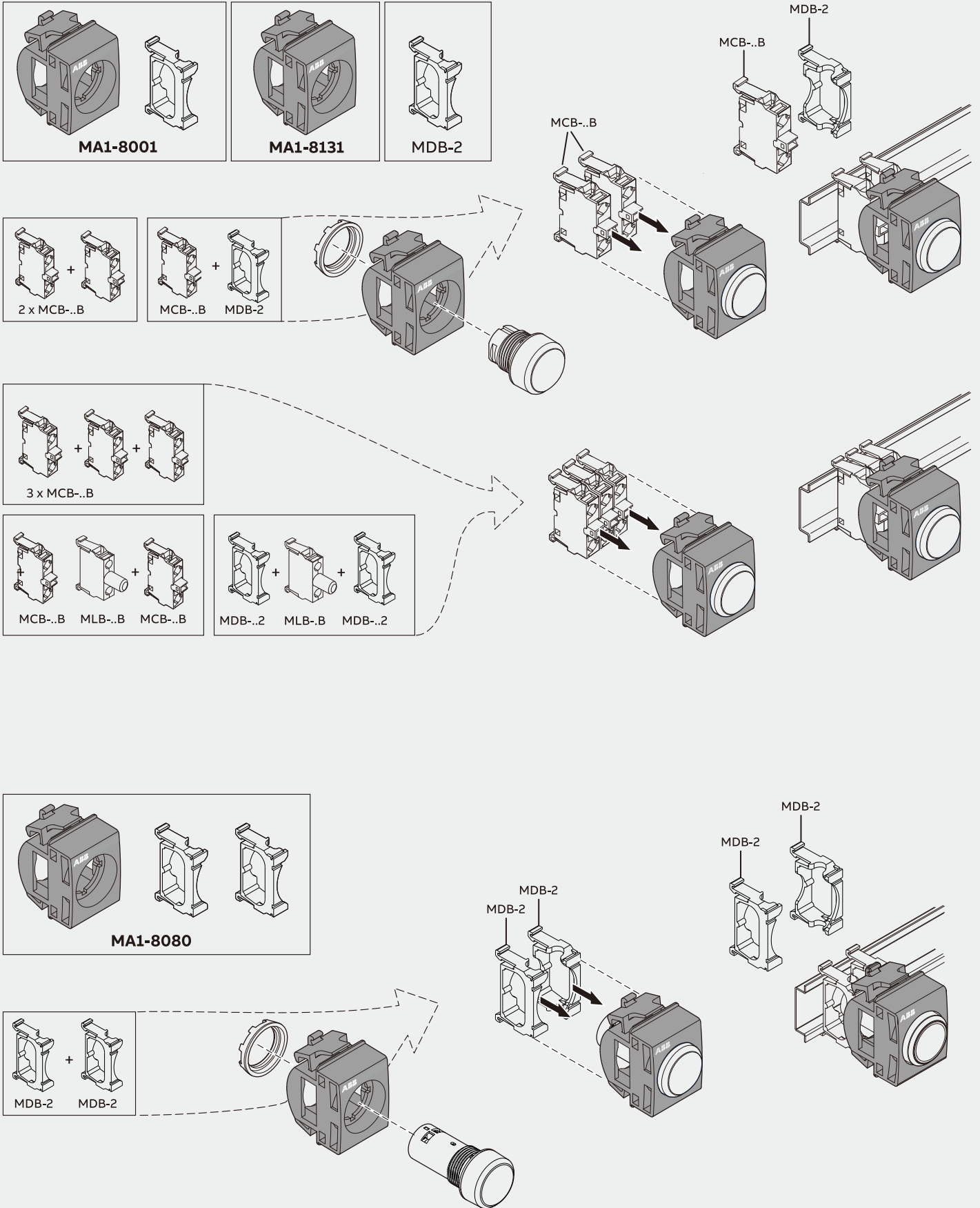
BA9S, P9PDNV0, P9PDTV0, CL-100

Pilot devices, lamp replacement



MA1-8001, MA1-8131, CA1-8080, MDB-2

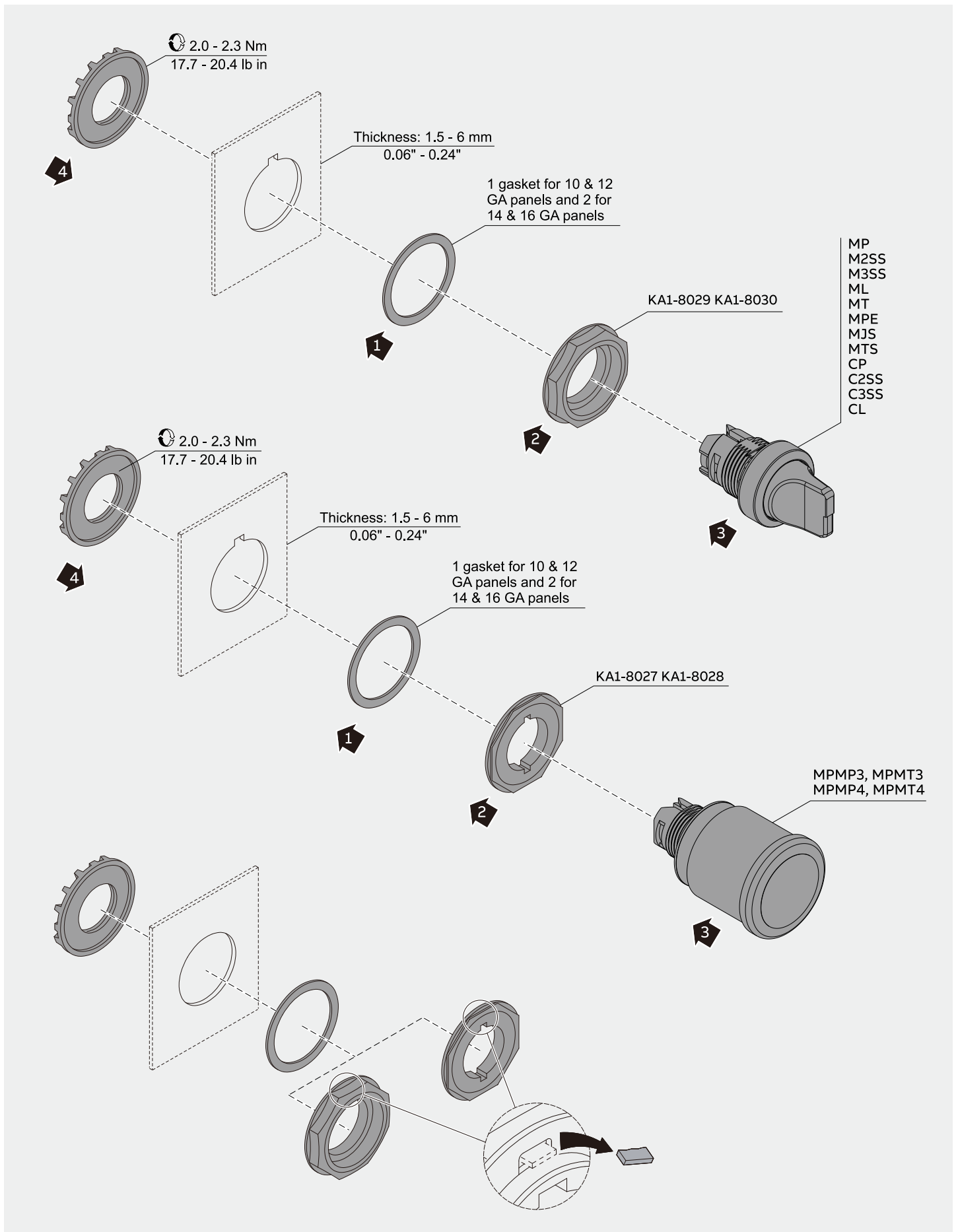
Pilot devices, DIN rail installation



INSTALLATION INSTRUCTIONS

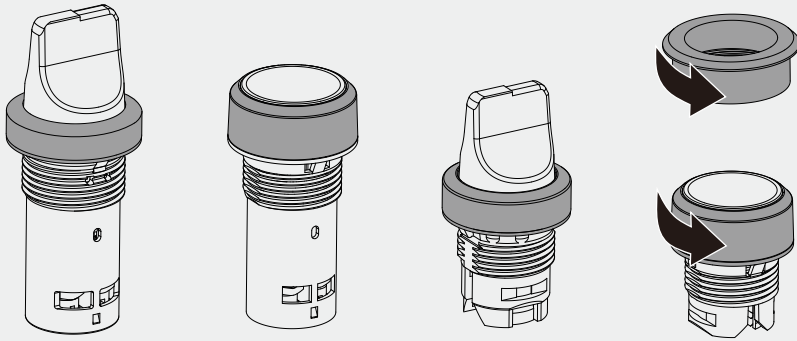
KA1-8027, KA1-8028, KA1-8029, KA1-8030

Pilot devices, compact and modular ranges



30mm adaptors

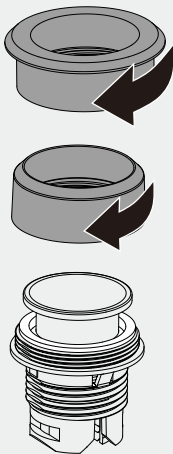
Pilot devices, compact and modular ranges



1

1.Remove the bezel/adaptor.

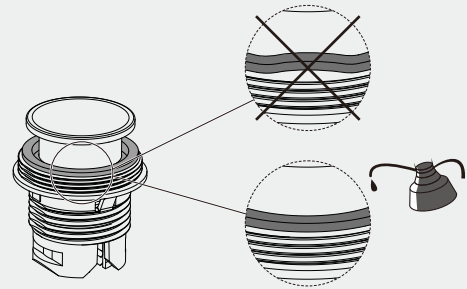
Product	Adaptor
CP*	1SFA616920R8073
MP*	
CSS*	1SFA619920R8075
MSS*	1SFA611920R8074



3

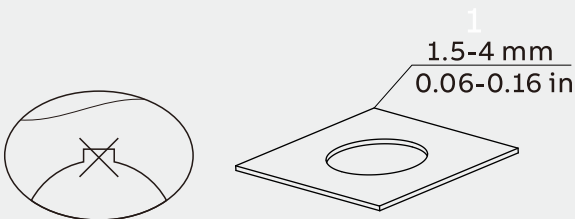
3.IMPORTANT!

Reassemble the new bezel/adaptor and check that it is correctly tightened.

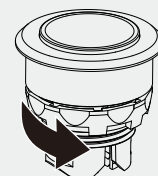


2

2.IMPORTANT! Put a drop of silicon grease (Molykote 111 or equivalent for MP* and CP*) or motor oil (Mobil 15W-40 or equivalent for MSS* and CSS*) on the rubber membrane and check that it is sitting in the correct position.



To keep IP performance, a circular hole with a rectangular key recess should not be used.



Tightening torque for adaptor:
Operators locking nut 1.0 Nm (8.86 lb in).

Pilot devices

Modular range, compact range

EN	The product complies with the guidelines and standards given in the EU Declaration of Conformity on the next page.
AR	يتوافق هذا المنتج مع التوجيهات والمعايير الواردة في إعلان المطابقة الخاص بالاتحاد الأوروبي في الصفحة التالية.
BG	Продуктът отговаря на указанията и стандартите на декларацията за съответствие на ЕС на следващата страница.
CS	Produkt je v souladu se směrnicemi a standardy uvedenými v prohlášení o souladu pro EU na následující stránce.
DA	Produktet er i overensstemmelse med de retningslinjer og standarder, der er givet i EU-erklæringen om overensstemmelse på næste side.
DE	Das Produkt entspricht den Richtlinien und Standards der EU-Konformitätserklärung auf der nächsten Seite.
DU	Het product voldoet aan de richtlijnen en normen van de EU-conformiteitsverklaring op de volgende pagina.
EL	Το προϊόν συμμορφώνεται με τις κατευθυντήριες οδηγίες και τα πρότυπα που αναφέρονται στη Δήλωση συμμόρφωσης ΕΕ στην επόμενη σελίδα.
ES	El producto cumple las directrices y normas indicadas en la declaración UE de conformidad de la página siguiente.
ET	Toode vastab EL-i vastavusdeklaratsiooni olevatele juhistele ja standarditele, mis on esitatud järgmisel lehel.
FI	Tuote täyttää seuraavalta sivulta löytyvän EU-vaatimustenmukaisuusvakuutuksen ohjeet ja vaatimukset.
FR	Le produit est conforme aux directives et aux normes indiquées dans la déclaration de conformité de l'UE à la page suivante.
GA	Cloíonn an táirge le na treoirlínte agus na caighdeáin atá tugtha i nDearbhú Comhréireachta AE ar an gcéad leathanach eile.
HR	Proizvod je u skladu sa smjernicama i normama navedenima u EU izvaji o sukladnosti na sljedećoj stranici.
HU	A termék megfelel a következő oldalon található EU-megfelelőségi nyilatkozatban leírt irányelveknek és előírásoknak.
IT	Il prodotto è conforme alle linee guida e agli standard indicati nella dichiarazione di conformità UE alla pagina seguente.
LT	Gaminys atitinka gaires ir standartus, pateiktus ES atitikties deklaracijoje kitame puslapyje.
LV	Izstrādājums atbilst vadlīnijām un standartiem, kas norādīti ES Atbilstības deklarācijā nākamajā lappusē.
MT	Il-prodott jikkonforma mal-linji gwida u mal-istandards mogħtija fid-Dikjarazzjoni tal-Konformità tal-UE li hemm fil-paġna li jmiss.
PL	Produkt jest zgodny z wytycznymi i normami podanymi w deklaracji zgodności UE na następnej stronie.
PT	O produto está em conformidade com as diretrizes e normas indicadas na Declaração de Conformidade da EU na página seguinte.
RO	Produsul este în conformitate cu liniile directoare și standardele din Declarația de conformitate UE de pe pagina următoare.
SK	Produkt je v súlade so smernicami a štandardmi uvedenými v Prehlásení o zhode s EÚ na nasledujúcej strane.
SL	Izdelek je skladen s smernicami in standardi v izjavi EU o skladnosti na naslednji strani.
SV	Försäkrar att produkten överensstämmer med de i bilagan (EU-försäkran om överensstämmelse) angivna direktiven och normerna.
ZH	产品符合下页中欧盟一致性声明中的准则和标准



EU Declaration of Conformity
EU Konformitätserklärung
Déclaration UE de conformité
Dichiarazione di conformità UE

This declaration of conformity is issued under the sole responsibility of the manufacturer
Die alleinige Verantwortung für die Ausstellung dieser Konformitätserklärung trägt der Hersteller /
La présente déclaration de conformité est établie sous la seule responsabilité du fabricant /
La presente dichiarazione di conformità è rilasciata sotto la responsabilità esclusiva del fabbricante

ABB Electrification Sweden AB
721 61 Västerås
Sweden

Object of declaration
Gegenstand der Erklärung / Objet de la déclaration / Oggetto della dichiarazione

Emergency stop / Not-Aus / Arrêt d'urgence / Pulsanti di arresto di emergenza
Type / Typ / Type / Tipo
MEPY, MPE, MPM, MEM, MEP, MEX

The object of this declaration is in conformity with the relevant Community harmonisation legislation
Der oben beschriebene Gegenstand der Erklärung erfüllt die einschlägigen / Harmonisierungsrechtsvorschriften der Gemeinschaft /
L'objet de la déclaration décrit ci-dessous est conforme à la législation communautaire d'harmonisation applicable /
L'oggetto della dichiarazione di cui sopra è conforme alla pertinente normativa comunitaria di armonizzazione

Machinery directive / Maschinenrichtlinie / Directive sur les machines / Direttiva machine
No. 2006/42/EC

RoHS Directive / RoHS Richtlinie / Directive RoHS / Direttiva RoHS
No. 2011/65/EU incl. 2015/863/EU

and are in conformity with the following harmonized standards or other normative documents
nachgewiesen durch die Einhaltung der nachstehend aufgeführten Normen oder anderen normativen Dokumenten /
et justifié par le respect des Normes mentionnées ci-dessous ou autres documents normatifs /
e sono stati applicati le norme o altri documenti normativi indicati di seguito

EN IEC 60947-1:2021
EN 60947-5-1:2017
EN 60947-5-1:2017/AC:2020-05
EN 60947-5-5:1997 + A1:2005 +
A11:2013 + A2:2017

EN ISO 13850:2015
EN IEC 63000:2018

Year of CE-marking: 2002
Jahr der CE-Kennzeichnung / Année d'apposition du marquage CE / Anno in cui è stata affissa la marcatura

Signed for and on behalf of
Unterschrift für und im Namen von / Signé par et au nom de / Firmato in vece e per conto di

ABB Electrification Sweden AB
Vasteras, 8 November 2022

Alessandro Pelandì

Alessandro Pelandì
Global R&D Manager
Smart Power Division
Motor Starting & Safety



EU Declaration of Conformity
EU Konformitätserklärung
Déclaration UE de conformité
Dichiarazione di conformità UE

This declaration of conformity is issued under the sole responsibility of the manufacturer
Die alleinige Verantwortung für die Ausstellung dieser Konformitätserklärung trägt der Hersteller /
La présente déclaration de conformité est établie sous la seule responsabilité du fabricant /
La presente dichiarazione di conformità è rilasciata sotto la responsabilità esclusiva del fabbricante

ABB Electrification Sweden AB
721 61 Västerås
Sweden

Object of declaration
Gegenstand der Erklärung / Objet de la déclaration / Oggetto della dichiarazione

Emergency stop / Not-Aus / Arrêt d'urgence / Pulsanti di arresto di emergenza
Type / Typ / Type / Tipo
CE, CEPY, CEP

The object of this declaration is in conformity with the relevant Community harmonisation legislation
Der oben beschriebene Gegenstand der Erklärung erfüllt die einschlägigen / Harmonisierungsrechtsvorschriften der Gemeinschaft /
L'objet de la déclaration décrit ci-dessous est conforme à la législation communautaire d'harmonisation applicable /
L'oggetto della dichiarazione di cui sopra è conforme alla pertinente normativa comunitaria di armonizzazione

Machinery directive / Maschinenrichtlinie / Directive sur les machines / Direttiva machine
No. 2006/42/EC

RoHS Directive / RoHS Richtlinie / Directive RoHS / Direttiva RoHS
No. 2011/65/EU incl. 2015/863/EU

and are in conformity with the following harmonized standards or other normative documents
nachgewiesen durch die Einhaltung der nachstehend aufgeführten Normen oder anderen normativen Dokumenten /
et justifié par le respect des Normes mentionnées ci-dessous ou autres documents normatifs /
e sono stati applicati le norme o altri documenti normativi indicati di seguito

EN IEC 60947-1:2021
EN 60947-5-1:2017
EN 60947-5-1:2017/AC:2020-05
EN 60947-5-5:1997 + A1:2005 +
A11:2013 + A2:2017

EN ISO 13850:2015
EN IEC 63000:2018

Year of CE-marking: 2004
Jahr der CE-Kennzeichnung / Année d'apposition du marquage CE / Anno in cui è stata affissa la marcatura

Signed for and on behalf of
Unterschrift für und im Namen von / Signé par et au nom de / Firmato in vece e per conto di

ABB Electrification Sweden AB
Vasteras, 8 November 2022

Alessandro Pelandì

Alessandro Pelandì
Global R&D Manager
Smart Power Division
Motor Starting & Safety



EU Declaration of Conformity
EU Konformitätserklärung
Déclaration UE de conformité
Dichiarazione di conformità UE

This declaration of conformity is issued under the sole responsibility of the manufacturer
Die alleinige Verantwortung für die Ausstellung dieser Konformitätserklärung trägt der Hersteller /
La présente déclaration de conformité est établie sous la seule responsabilité du fabricant /
La presente dichiarazione di conformità è rilasciata sotto la responsabilità esclusiva del fabbricante

ABB Electrification Sweden AB
721 61 Västerås
Sweden

Object of declaration
Gegenstand der Erklärung / Objet de la déclaration / Oggetto della dichiarazione

Emergency stop / Not-Aus / Arrêt d'urgence / Pulsanti di arresto di emergenza
Type / Typ / Type / Tipo
P9XE

The object of this declaration is in conformity with the relevant Community harmonisation legislation
Der oben beschriebene Gegenstand der Erklärung erfüllt die einschlägigen / Harmonisierungsrechtsvorschriften der Gemeinschaft /
L'objet de la déclaration décrit ci-dessous est conforme à la législation communautaire d'harmonisation applicable /
L'oggetto della dichiarazione di cui sopra è conforme alla pertinente normativa comunitaria di armonizzazione

Machinery directive / Maschinenrichtlinie / Directive sur les machines / Direttiva machine
No. 2006/42/EC

RoHS Directive / RoHS Richtlinie / Directive RoHS / Direttiva RoHS
No. 2011/65/EU incl. 2015/863/EU

and are in conformity with the following harmonized standards or other normative documents
nachgewiesen durch die Einhaltung der nachstehend aufgeführten Normen oder anderen normativen Dokumenten /
et justifié par le respect des Normes mentionnées ci-dessous ou autres documents normatifs /
e sono stati applicati le norme o altri documenti normativi indicati di seguito

EN IEC 60947-1:2021
EN 60947-5-1:2017
EN 60947-5-1:2017/AC:2020-05
EN 60947-5-5:1997 + A1:2005 +
A11:2013 + A2:2017

EN ISO 13850:2015
EN IEC 63000:2018

Year of CE-marking: 2019
Jahr der CE-Kennzeichnung / Année d'apposition du marquage CE / Anno in cui è stata affissa la marcatura

Signed for and on behalf of
Unterschrift für und im Namen von / Signé par et au nom de / Firmato in vece e per conto di

ABB Electrification Sweden AB
Vasteras, 8 November 2022

Alessandro Pelandì

Alessandro Pelandì
Global R&D Manager
Smart Power Division
Motor Starting & Safety

ABB Electrification Sweden AB
SE-72161 Västerås
Sweden

Further information:



www.abb.com/lowvoltage

Revision
G

Revision date
2023-06-20

Document number
1SFC151011M0201

© Copyright 2023 ABB.
All rights reserved.
Specifications subject
to change without notice.