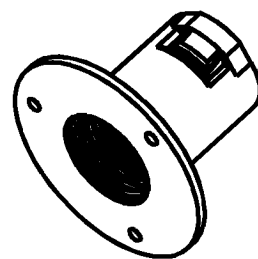
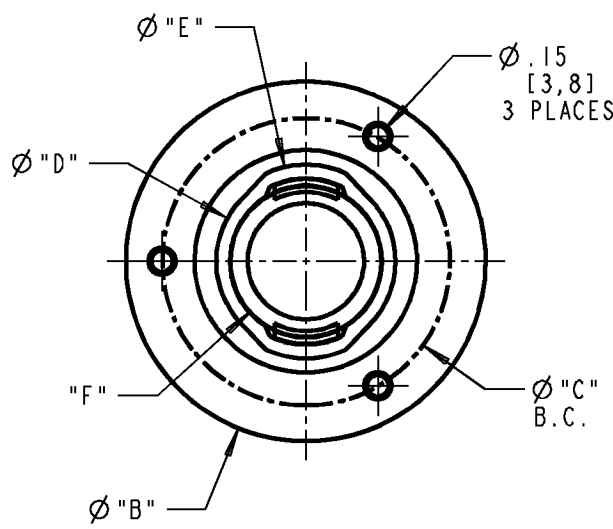
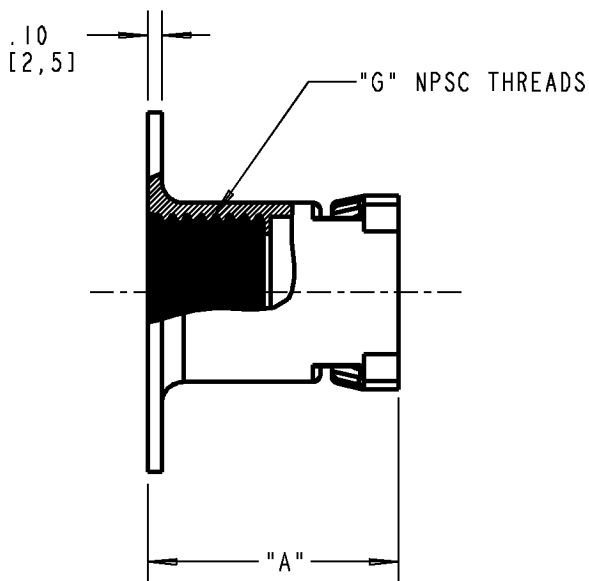


# Carlton®




P/N A200E SHOWN



PART NO.	SIZE	DIM. A	Ø B	Ø C	Ø D	Ø E	"F" ENT SIZE	"G" NPSC
A200D	1/2"	1.62 [41.1]	2.28 [57.9]	2.00 [50.8]	1.03 [26.1]	1.13 [28.6]	1/2"	1/2"
A200E	3/4"	1.74 [44.3]	2.50 [63.5]	2.00 [50.8]	1.25 [31.7]	1.35 [34.2]	3/4"	3/4"
A200F	1"	1.89 [48]	2.75 [69.9]	2.38 [60.3]	1.52 [38.6]	1.62 [41.2]	1"	1"

NOTES:  
1. MATERIAL: BLUE THERMOPLASTIC

<b>GENERAL NOTES</b>		 www.tnb.com			
1. ALL DIMENSIONS ARE FOR REFERENCE ONLY. 2. DIMENSIONS IN BRACKETS [ ] ARE IN METRIC UNITS.					
<b>REVISIONS</b>		<b>DESCRIPTION: STUB DOWN TRANSITION ADAPTER VERTICAL - ENT TO NPSC</b>			
** SEE ERN ( **** ) FOR APPROVAL SIGNATURES & RELEASE DATE. PROJECT NO: ****		ORIGINAL PROJECT NO / ( ERN NO ) / ( )	SHEET NO: 1 OF 1	REV. NO: A	DRAWING NO: WSD-AC04387