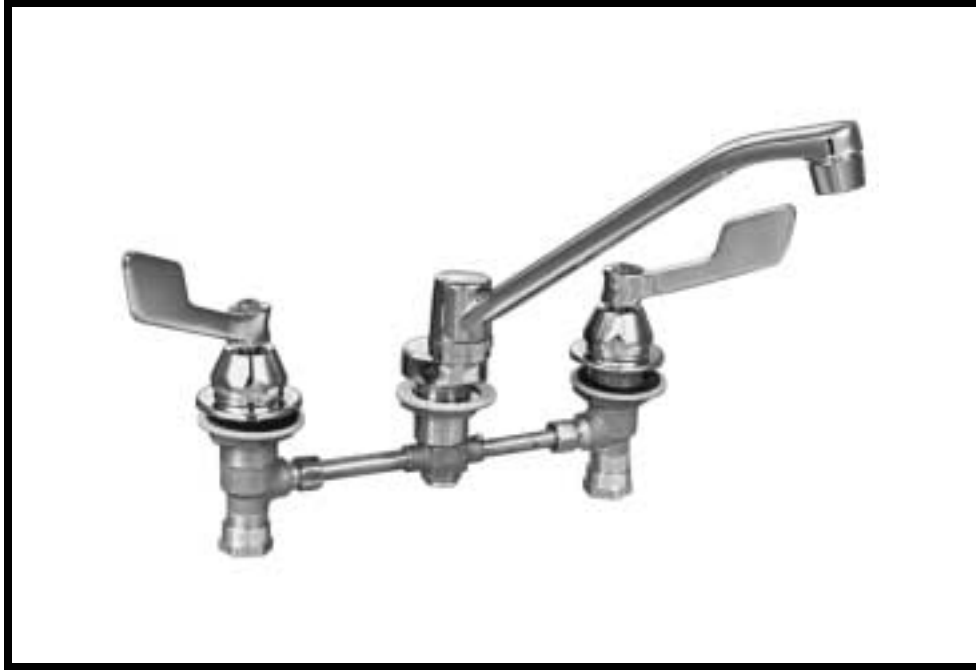


DECKMOUNT SINK FAUCETS

27T1 ___ Series
27T2 ___ Series

2 Handle Widespread w/Spray w/Swing Spout
2 Handle Widespread 1/Spray, w/Swing and Limited Swing Spout



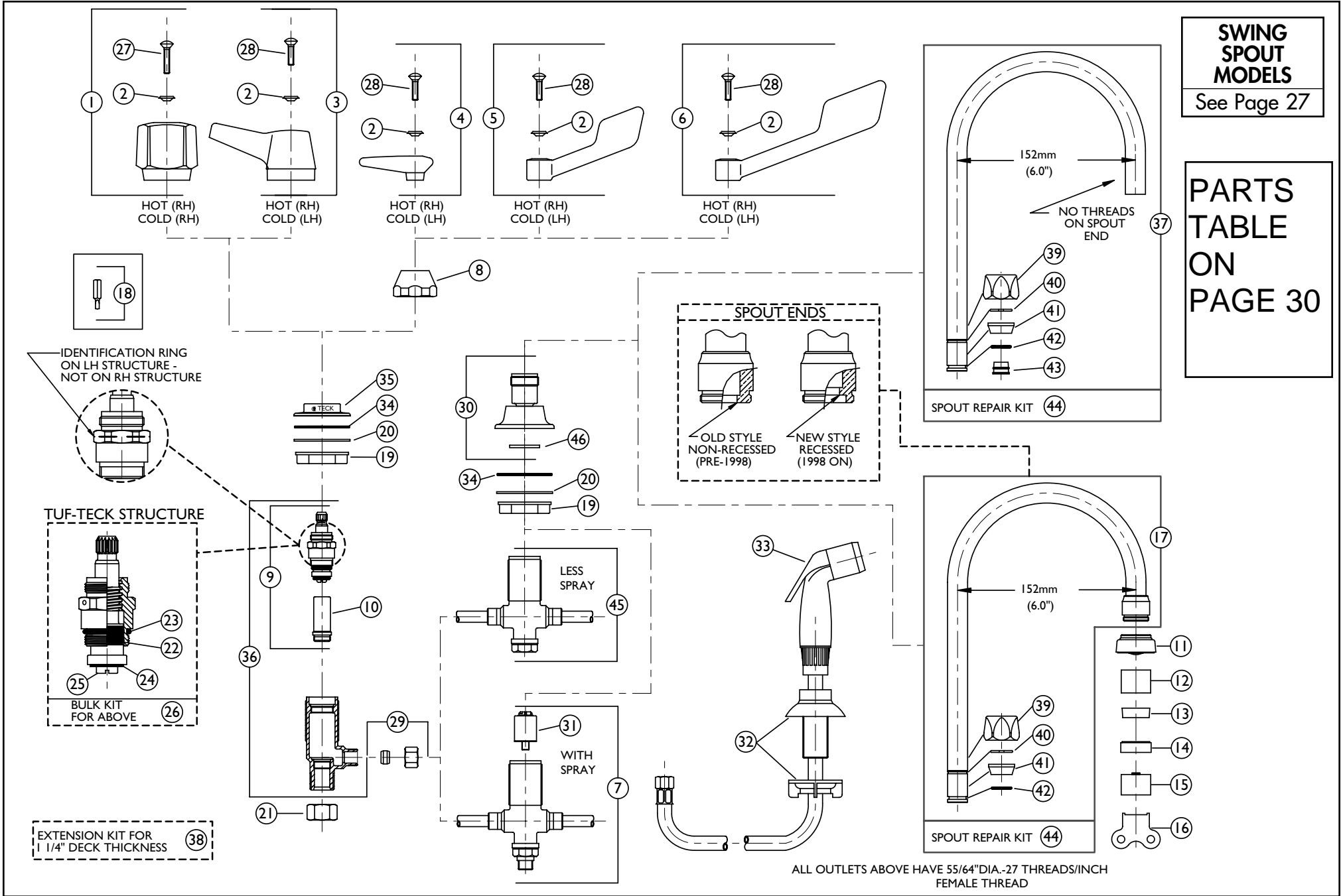
ITEM #	PART #	DESCRIPTION
1	76403	5 Fluted Handle, Screw, Red & Blue Index – 1 of each
2	060148A	Red and Blue Index Kit – 12 of each
3	77189	2-3/4" Hooded Lever Blade Handle, Screw, Red & Blue Index – 1 of each
4	76407-1	Three Arm Cross Handle, Screw, Red & Blue Index
5	76405-1	4" Blade Handle, Screw, Red & Blue Index – 1 of each
6	76406-1	6" Wrist Handle, Screw, Red & Blue Index – 1 of each
7	060381A	Center Body Assembly for With Spray Models (6.5" Long)
8	060037A	Sani-Guards Kit – 2 per
9	060060A	RH Structure & Long Renewable Seat (<i>opens to the right – see text under each handle for HOT/COLD side requirements</i>)
	060061A	LH Structure & Long Renewable Seat (<i>opens to the left – see text under each handle for HOT/COLD side requirements</i>)
10	060443A	Long Renewable Seat
11	76842	Female Rose Spray and Drive Bit (#18)
12	77144	Female Moderator and Wrench (#16)
13	77142	Female Aerator – Not Vandal Resistant
14	77158	Female Aerator and Wrench (#16)
15	77322	Female 0.5 GPM Outlet and Wrench (#16)
16	17195	Wrench for Vandal Resistant Outlets

ITEM #	PART #	DESCRIPTION
17	060269A	8" Tubular Swing Spout
	060455A	11" Tubular Swing Spout
	060456A	14" Tubular Swing Spout
	060457A	16" Tubular Swing Spout (For Additional Tubular Swing Spouts, See Page 101)
18	060440A	Drive Bit – No. 3 Square
19	060444A	Locknut
20	060362A	Fibre Washer Kit – 12 per
21	060363A	Coupling Nut
22	060140A	Stem "O" Ring Kit – 24 per
23	060142A	Structure "O" Ring Kit – 24 per
24	060139A	Seat Washer Kit – 24 per
25	060243A	Screw – 6 per
26	060021A	Bulk Structure Repair Kit – 12 Seat washers (#24), 2 Screws (#25), 24 Stem "O" Rings (#22), 6 Structure "O" Rings (#23), 4 Seats (#10), 18 Structure Fibre Washers (Not Shown)
27	060146A	7/8" Long Handle Screws – 12 per
28	060145A	1 1/16" Long Handle Screws – 12 per
29	060364A	Compression Sleeves and Coupling Nuts for 3/8" OD Tube – 6 of each
30	060384A	Escutcheon Assembly for Swing Spouts
31	060467A	Diverter
32	RP6015	Hose Guide
33	W76005-1	Spray Valve and Hose (<i>No Hose Guide</i>)
34	060367A	Rubber Washer Kit – 12 per
35	060445A	Deck Flange
36	060351A	Body with RH Structure & Renewable Seat (<i>opens to the right – see text under each handle for HOT/COLD side req'ts</i>)
	060352A	End Body with LH Structure & Renewable Seat (<i>opens to the left – see text under each handle for HOT/COLD side req'ts</i>)
37	060296A	Durite Washer Kit – 12 per
38	060266A	Extension Kit for 1 1/4" Deck Thickness on Inline Spout Models – 2 Extended Deck Flanges (#35), 3 Extended Locknuts (#19), 1 Spout Adaptor Sub-Assembly (#30)
	060265A	Extension Kit for 1 1/4" Deck Thickness on Offset Body Spout Models – 2 Extended Deck Flanges (#35), 3 Extended Locknuts (#19),
39	060451A	8" Wallform Swing Spout (For Additional Wallform Swing Spouts, See Page 101)
40	060378A	Swing Limit Rod
41	060382A	Offset Body for 90 degree Limited Swing Spout
42	060365A	"O" Ring Kit – 6 of each
43	060446A	Fibre Washer Kit – 12 per
44	060319A	Tee Sub-Assembly (10.5" Long) – also includes 2 of each part shown in #29
45	060383A	Center Body Assembly for Less Spray models (6.5" Long)
46	060052A	Spout "O" Ring Kit – 24 per

DECKMOUNT SINK FAUCETS

27T1 ___ Series
27T2 ___ Series

2 Handle Widespread w/Spray w/Rigid/Swivel Spout
2 Handle Widespread 1/Spray w/Rigid/Swivel Spout



SWING SPOUT MODELS
See Page 27

PARTS TABLE ON PAGE 30

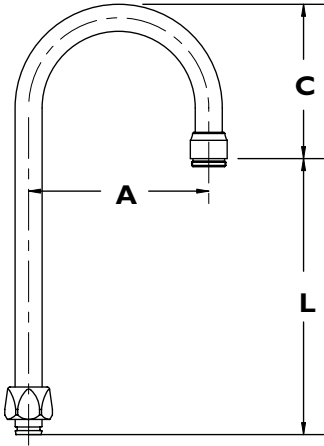
ALL OUTLETS ABOVE HAVE 55/64" DIA. -27 THREADS/INCH FEMALE THREAD



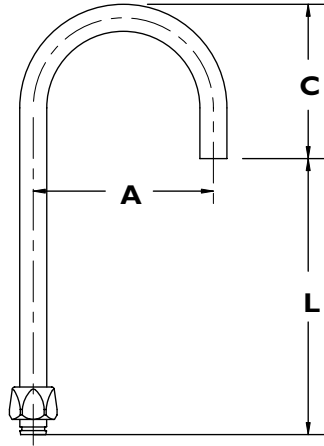
ITEM #	PART #	DESCRIPTION
1	76403	5 Fluted Handle, Screw, Red & Blue Index – 1 of each
2	060148A	Red and Blue Index Kit – 12 of each
3	77189	2-3/4" Hooded Lever Blade Handle, Screw, Red & Blue Index – 1 of each
4	76407-1	Three Arm Cross Handle, Screw, Red & Blue Index – 1 of each
5	76405-1	4" Blade Handle, Screw, Red & Blue Index – 1 of each
6	76406-1	6" Wrist Handle, Screw, Red & Blue Index – 1 of each
7	060381A	Center Body Assembly for With Spray Models (6.5" Long)
8	060037A	Sani-Guards Kit – 2 per
9	060060A	RH Structure & Long Renewable Seat (<i>opens to the right – see text under each handle for HOT/COLD side requirements</i>)
	060061A	LH Structure & Long Renewable Seat (<i>opens to the left – see text under each handle for HOT/COLD side requirements</i>)
10	060443A	Long Renewable Seat
11	76842	Female Rose Spray and Drive Bit (#18)
12	77144	Female Moderator and Wrench (#16)
	060278A	Old style Female Moderator and Wrench for Spouts with Non-Recessed Ends (<i>See Spout Ends Diagram</i>)
13	77142	Female Aerator – Not Vandal Resistant
	060280A	Old Style Female Aerator for Spouts with Non-Recessed Ends (<i>See Spout Ends Diagram</i>)
14	77158	Female Aerator and Wrench (#16)
	060279A	Old Style Female Aerator and Wrench for Spouts with Non-Recessed Ends (<i>See Spout Ends Diagram</i>)
15	77322	Female 0.5 GPM Outlet and Wrench (#16)
	060281A	Old style Female 0.5 GPM Outlet and Wrench for Spouts with Non-Recessed Ends (<i>See Spout Ends Diagram</i>)
16	17195	Wrench for Vandal Resistant Outlets
17	76860-2	6.0" Radius Rigid/Swivel Gooseneck Spout – Threaded End (<i>For Additional Rigid Swivel Threaded End Spouts, See Page 99</i>)
18	060440A	Drive Bit – No. 3 Square
19	060444A	Locknut
20	060362A	Fibre Washer Kit – 12 per
21	060363A	Coupling Nut
22	060140A	Stem "O" Ring Kit – 24 per
23	060142A	Structure "O" Ring Kit – 24 per
24	060139A	Seat Washer Kit – 24 per
25	060243A	Screw – 6 per



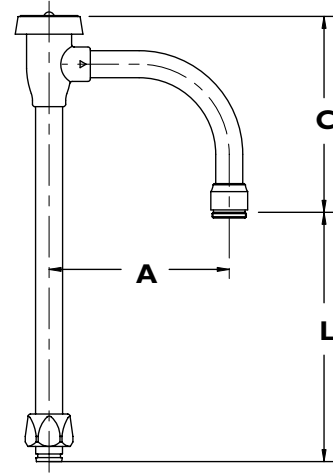
ITEM #	PART #	DESCRIPTION
26	060021A	Bulk Structure Repair Kit – 12 Seat washers (#24), 2 Screws (#25), 24 Stem "O" Rings (#22), 6 Structure "O" Rings (#23), 4 Seats (#10), 18 Structure Fibre Washers (Not Shown)
27	060146A	7/8" Long Handle Screws – 12 per
28	060145A	1 1/16" Long Handle Screws – 12 per
29	060364A	Compression Sleeves and Coupling Nuts for 3/8" OD Tube – 6 of each
30	060375A	Escutcheon & Fibre Washer for Rigid/Swivel Spouts
31	060467A	Diverter
32	RP6015	Hose Guide
33	W76005-1	Spray Valve and Hose (<i>No Hose Guide</i>)
34	060367A	Rubber Washer Kit – 12 per
35	060445A	Deck Flange
36	060351A	End Body with RH Structure & Renewable Seat (<i>opens to the right – see text under each handle for HOT/COLD side req'ts</i>)
	060352A	End Body with LH Structure & Renewable Seat (<i>opens to the left – see text under each handle for HOT/COLD side req'ts</i>)
37	76860-2FC	6.0" Radius Rigid/Swivel Gooseneck Spout – Smooth End (<i>For Additional Rigid Swivel Smooth End Spouts, See Page 99</i>)
38	060268A	Extension Kit for 1-1/4" Deck Thickness – 2 Extended Deck Flanges (#35), 3 Extended Locknuts (#19), 1 Spout Adaptor Sub-Assembly (#30)
39	060373A	Spout Nut
40	060245A	Retaining Ring Kit – 6 per
41	060244A	Rigid Collar Kit (Brass) – 6 per
	060246A	Swivel Collar Kit (Plastic) – 6 per
42	060143A	Spout "O" Ring Kit – 24 per
43	060318A	Inlet Flow Control Kit – 6 per
44	060026A	Spout Repair Kit – (1) Rigid Brass Collar (#41), 6 Retaining Rings (#40), 6 Swivel Plastic Collars (#41), 12 Spout "O" Rings (#42), 1 Spout Nut (#39)
45	060383A	Center Body Assembly for Less Spray models (6.5" Long)
46	060446A	Fibre Washer Kit – 12 per



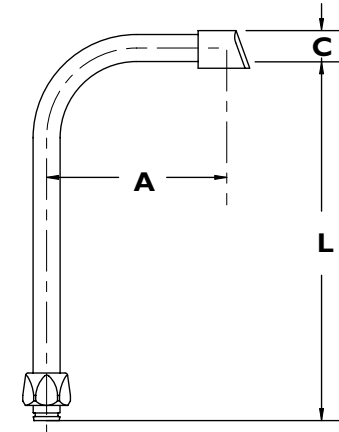
GROUP No. 1
GOOSENECK –
(MALE THREADED END)



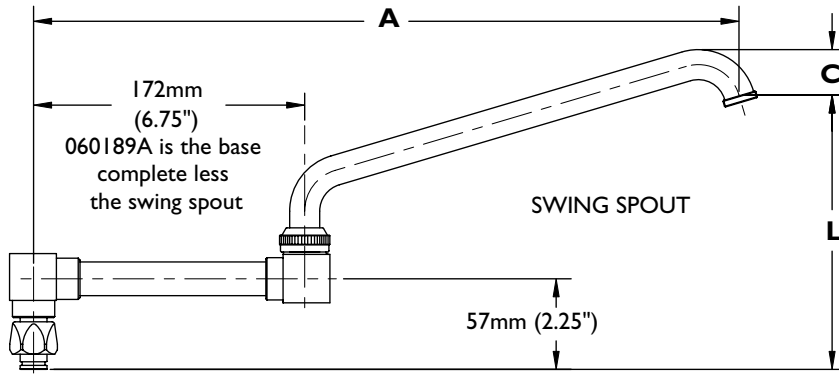
GROUP No. 2
GOOSENECK SMOOTH END
(FLOW CONTROL IN BASE OF SPOUT)



GROUP No. 3
ANGLE VB SPOUTS
(MALE THREADED END)



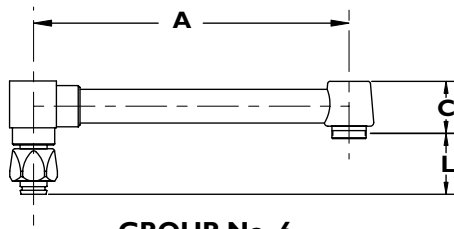
GROUP No. 4
WATERFALL SPOUTS
(FEMALE THREADED END)



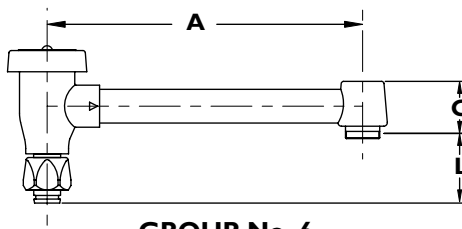
GROUP No. 5
DOUBLE JOINTED SPOUTS
(MALE THREADED END)

NOTE:
MALE THREADED ENDS
– REQUIRE OUTLETS WITH A 55/64" DIA.
– 27 THREADS/INCH FEMALE THREAD
FEMALE THREADED ENDS
– REQUIRE OUTLETS WITH A 15/16" DIA.
– 27 THREADS/INCH MALE THREAD

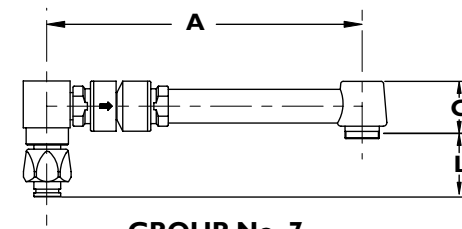
PARTS TABLE ON PAGE 100



GROUP No. 6
PLAIN SPOUTS
(MALE THREADED END)



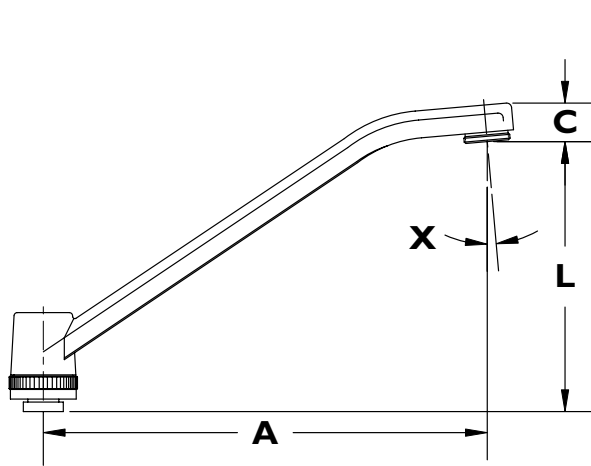
GROUP No. 6
PLAIN VACUUM BREAKERS SPOUTS
(MALE THREADED END)



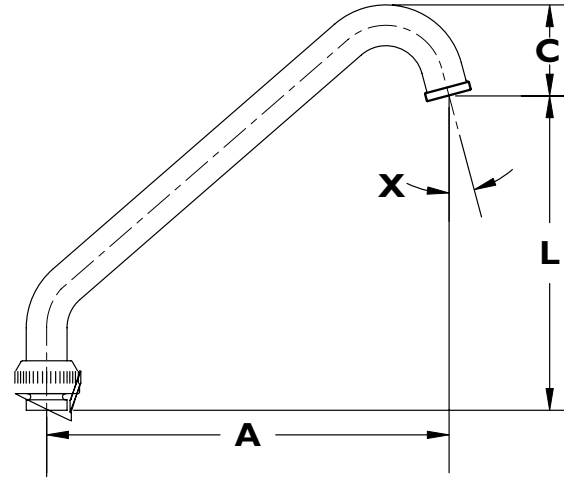
GROUP No. 7
INLINE VB SPOUTS
(MALE THREADED END)



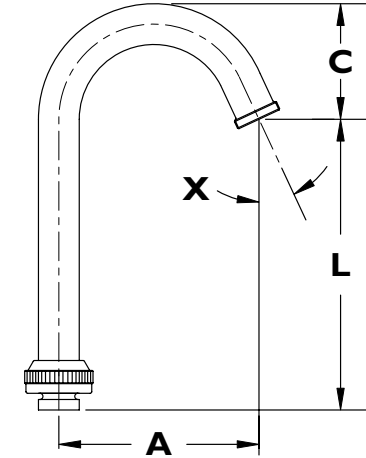
SPOUT GROUP NUMBER	RP PART Number ONLY	RIGID/SWIVEL SPOUT DESCRIPTION	"A"		"C"		"L"		"ADD-ON" SUFFIX NUMBER
			mm	in.	mm	in.	mm	in.	
1	76860-6	Gooseneck Spout*	89	3.5	51	2	173	6.8	R1
	76860	Gooseneck Spout	114	4.5	104	4.1	170	6.7	R2
	76860-7	Gooseneck Spout	152	6	124	4.9	56	2.2	R3
	76860-2	Gooseneck Spout	152	6	124	4.9	146	5.8	R4
	76860-3	Gooseneck Spout	152	6	124	4.9	188	7.4	R5
	76860-4	Gooseneck Spout	152	6	124	4.9	229	9	R6
	76860-5	Gooseneck Spout	229	9	163	6.4	170	6.7	R7
	76860-8	Gooseneck Spout	229	9	163	6.4	348	13.7	R8
2	76860FC	GN Spout w/Flow Cont.	114	4.5	97	3.8	178	7	R2
	76860-7FC	GN Spout w/Flow Cont.	152	6	117	4.6	64	2.5	R3
	76860-2FC	GN Spout w/Flow Cont.	152	6	117	4.6	152	6	R4
	76860-3FC	GN Spout w/Flow Cont.	152	6	117	4.6	196	7.7	R5
	76860-4FC	GN Spout w/Flow Cont.	152	6	117	4.6	236	9.3	R6
	76860-5FC	GN Spout w/Flow Cont.	229	9	155	6.1	178	7	R7
	76860-8FC	GN Spout w/Flow Cont.	229	9	155	6.1	356	14	R8
3	060293A	Angle VB GN Spout	152	6	135	5.3	147	5.8	R21
	060128A	Angle VB GN Spout	152	6	135	5.3	188	7.4	R9
	060129A	Angle VB GN Spout	203	8	135	5.3	188	7.4	R10
	060130A	Angle VB GN Spout	229	9	135	5.3	188	7.4	R11
	060131A	Angle VB GN Spout	305	12	135	5.3	188	7.4	R12
4	060192A	Waterfall Spout	114	4.5	25	1	122	4.8	R13
	060190A	Waterfall Spout	114	4.5	25	1	195	7.7	R14
	060191A	Waterfall Spout	216	8.5	25	1	195	7.7	R15
5	060189A + 060452A	Double Joint Spout	309	12.2	38	1.5	175	6.9	R16
	060189A + 060269A	Double Joint Spout	359	14.1	38	1.5	218	8.6	R17
	060189A + 060455A	Double Joint Spout	448	17.6	29	1.1	175	6.9	R18
6	77130	Plain Spout	81	3.2	33	1.3	38	1.5	R27
	060301A	Plain Spout	143	5.6	33	1.3	38	1.5	R31
	77131	Plain Spout	203	8	33	1.3	38	1.5	R19
	060271A	Plain VB Spout	89	3.5	33	1.3	43	1.7	R28
	77135-0	Plain VB Spout	203	8	33	1.3	43	1.7	R20
7	060297A	Inline VB Spout	108	4.3	33	1.3	31	1.2	R29
	060449A	Inline VB Spout	203	8	33	1.3	38	1.5	R30



GROUP No. 1
(MALE THREADED END)



GROUP No. 2
(MALE THREADED END)



GROUP No. 3
(MALE THREADED END)

NOTE:

MALE THREADED ENDS – REQUIRE OUTLETS WITH A 55/64" DIA. – 27 THREADS/INCH FEMALE THREAD

SPOUT GROUP NUMBER	RP PART NUMBER ONLY	SWING SPOUT DESCRIPTION	"X" Degrees	"A"		"C"		"L"		"ADD-ON" SUFFIX NUMBER
				mm	in.	mm	in.	mm	in.	
1	060450A	6" "D" Section Spout	5	165	6.5	15	0.6	102	4	S1
	060451A	8" "D" Section Spout	5	206	8.1	15	0.6	130	5.1	S2
2	060452A	6" Tubular Spout	15	140	5.5	38	1.5	107	4.2	S3
	060453A	8" Tubular Spout	15	185	7.3	41	1.6	165	6.5	S4
	060269A	8" Tubular Spout	15	185	7.3	41	1.6	147	5.8	S5
	060454A	9" Tubular Spout	16.5	229	9	28	1.1	91	3.6	S6
	060455A	11" Tubular Spout	16.5	277	10.9	28	1.1	104	4.1	S7
3	060456A	14" Tubular Spout	16.5	351	13.8	28	1.1	127	5	S8
	060457A	16" Tubular Spout	16.5	399	15.7	28	1.1	142	5.6	S9
	060458A	3.5" Tubular GN Spout	25	98	3.7	51	2	137	5.4	S10
	060459A	7.25" Tubular GN Spout	15	198	7.3	89	3.5	165	6.5	S11