

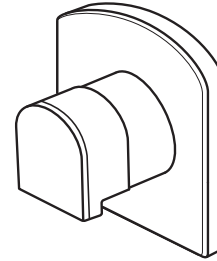
INSTALLATION INSTRUCTIONS



Lyndon® Handle Trim Kit for 2-Way or 3-Way In-Wall Diverter

Model D35109430

To be used with
D35000420.191 - 3/2 Two Way In-Wall Diverter
D35000430.191 - 4/3 Three Way In-Wall Diverter



Thank you for selecting DXV. To ensure that your installation proceeds smoothly, please read these instructions carefully before you begin.

RECOMMENDED TOOLS AND MATERIALS

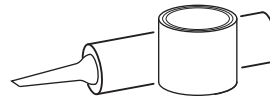
Most of the procedures require the use of common tools and materials, which are available from hardware and plumbing supply stores. It is essential that the tools and materials be on hand before work is begun.



Flat Blade Screwdriver



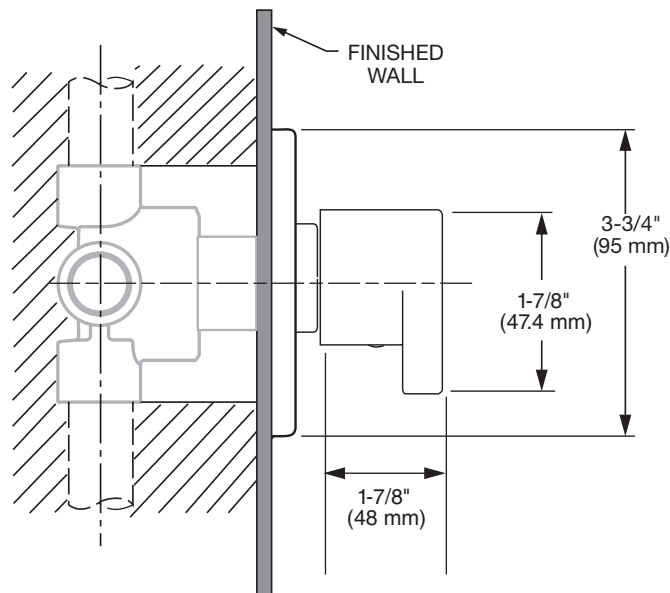
Phillips Screwdriver



Plumbers' Putty or Caulking

ROUGHING-IN DIMENSIONS:

- For reference



In the United States:

DXV
One Centennial Avenue
Piscataway, New Jersey 08855
Attention: Director of Customer Care

For residents of the United States, warranty information may also be obtained by calling the following toll free number: (800) 227-2734
www.DXV.com

In Canada:

DXV
5900 Avebury Road
Mississauga, Ontario
L5R 3M3
Canada

Toll Free: 1-800-387-0369
Local: 905-306-1093
Fax: 1-800-395-1498
www.DXV.ca

In Mexico:

DXV
Via Morelos 330
Col. Santa Clara Coatitla
Ecatepec, Estado de México 55540

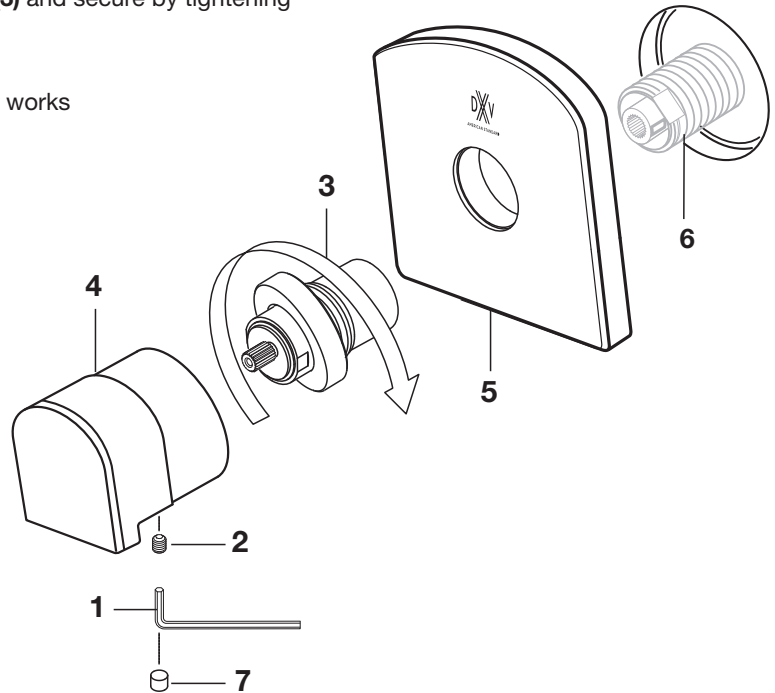
Toll Free: 01-800-8391200
www.DXV.mx

SAVE FOR FUTURE USE

1 INSTALL HANDLE

CAUTION Turn off hot and cold water supplies before beginning.

- Use the HEX KEY (1) provided to loosen the handle SET SCREW (2) and take out the HOLDER ASSEMBLY (3) from HANDLE (4).
- Install ESCUTCHEON (5) onto HOLDER ASSEMBLY (3) as shown and apply sealant to groove on back side of ESCUTCHEON (5).
- Install HOLDER ASSEMBLY (3) with ESCUTCHEON (5) onto DIVERTER VALVE (6). Thread HOLDER ASSEMBLY (3) onto rough valve until ESCUTCHEON (5) is flush against the wall.
- Install HANDLE (4) onto HOLDER ASSEMBLY (3) and secure by tightening SET SCREW (2).
- Install PLUG BUTTON (7).
- Turn on the water supply. Check that the fitting works correctly and does not leak.



Lyndon® Handle Trim Kit for 2 -Way or 3-Way In-Wall Diverter

MODEL NUMBER

D35109430

Replace the "YYY" with appropriate finish code

POLISHED CHROME	100
BRUSHED NICKEL	144
MATTE BLACK	243

