

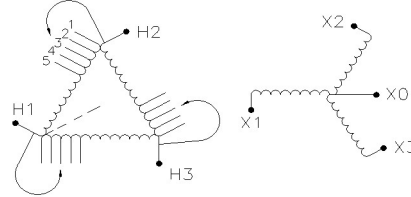
DISTRIBUTION PRODUCTS / PRODUITS DISTRIBUTION

DRY TYPE GENERAL PURPOSE TRANSFORMER / TRANSFORMATEUR D'APPLICATION GÉNÉRALE DE TYPE SEC

| | | |
|---------------------------|------------------|--------|
| CAT. | DA6075V | |
| KVA | 75 | |
| PHASE | 3 | 60 Hz |
| TEMP. RISE ÉLEV. TEMP. | 150 °C | |
| TAPS PRISES | 4 - 2.5 % 2A, 2B | |
| ENCLOS. BOITIER | 3R | 234 Kg |

| PRIMARY / PRIMAIRE | |
|--------------------|---------------------------|
| VOLTAGE TENSION | CONNECTORS CONNECTEURS |
| 600 | #14 to/a #2/0 |

| SECONDARY / SECONDAIRE | |
|------------------------|---------------------------|
| VOLTAGE TENSION | CONNECTORS CONNECTEURS |
| 208Y/120 | 1 of/de 600 MCM |



| DIMENSIONS | | |
|------------|---------|-------|
| | IN / PO | MM |
| A | 31.12 | (790) |
| B | 26.24 | (666) |
| C | 22.84 | (580) |
| D | 21.5 | (546) |
| E | 23.25 | (591) |

| | | | | | | | |
|--|----------|---|-------|-------|-------|-------|-------|
| IMPEDANCE / IMPÉDANCE * | 4.77 | (%) | | | | | |
| NO LOAD LOSSES / PERTES À VIDE * | 177.7 | WATTS | | | | | |
| LOAD LOSSES / PERTES EN CHARGE * (170 °C) | 1889.9 | WATTS | | | | | |
| TOTAL LOSSES / PERTES TOTALES * | 2067.6 | WATTS | | | | | |
| EXCITING CURRENT / COURANT D'EXCIT. * | 0.58 | (%) | | | | | |
| NOISE LEVEL / NIVEAU DE BRUIT * | 50 | (dBA) | | | | | |
| X/R RATIO / RATIO X/R * | 1.61 | | | | | | |
| % REGULATION (170 °C) * (FULL LOAD) (PLEINE CHARGE) | | % EFFICIENCY / % EFFICACITÉ (170 °C) * (75 °C)** | | | | | |
| 1.0 P.F. | 0.9 P.F. | 0.8 P.F. | 100% | 75% | 50% | 25% | 35% |
| 2.60 | 4.06 | 4.46 | 97.32 | 97.84 | 98.30 | 98.45 | 98.66 |

INSULATION CLASS / CLASSE D'ISOLATION 220

* ESTIMATED VALUES / VALEURS ESTIMÉES

** MEETS / EXCEEDS CSA C802.2 EFFICIENCY

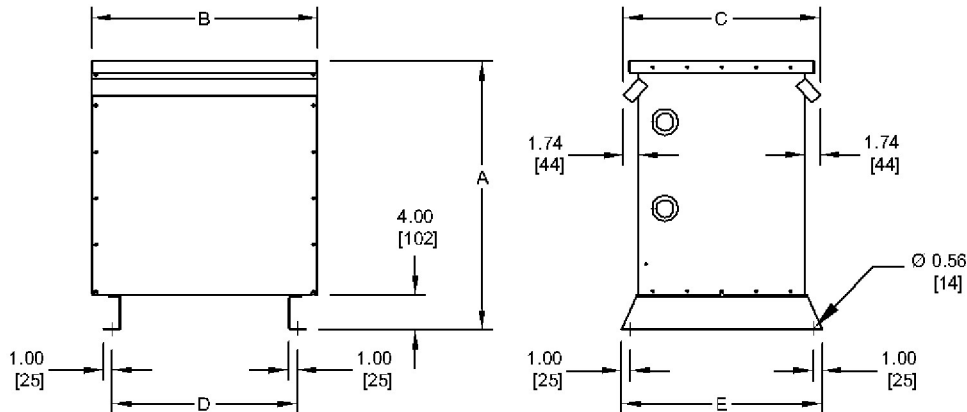
** ÉGALE / DÉPASSE EFFICACITÉ CSA C802.2

MOUNTING FLOOR

ANCRAGE : PLANCHER

3 PHASE / 3 COIL / ALUMINIUM

3 PHASES / 3 BOBINES / ALUMINIUM



FOR PROPER VENTILATION KEEP AT LEAST 6 INCHES FROM ADJACENT WALLS

POUR UNE BONNE VENTILATION PLACEZ L'APPAREIL À AU MOINS 6 POUCHES DES MURS ADJACENTS

| | | | |
|-------------------------------|----------------------------------|--|--|
| CUSTOMER CLIENT PO / BC | | SPECIAL INSTN / INSTR. SPÉCIALE Efficiency per CSA: CSA C802.2-18 - CANADA: SOR/DORS/2016-311 // Efficacité selon CSA: CSA C802.2-18 - CANADA: SOR/DORS/2016-311 | |
| CONTR. PROJ. | | | |
| WO FT | DRAWING DESSIN DA6075V Rev.01 | | |
| DRAW. DESS. N.L. | Date 2019/02/04 | Ref. No 13370 | |
| APPD. APP. | Date | V0001 | |
| | | Tel : 1-800-663-3582 Fax : 1-877-449-9115 | |



Subject to change without notice / Sujet à changement sans préavis

VF