



Electronic Exposed TECK® Flush Valves for Sloan® / Zurn® Stops

81T201BTA-30

Exposed Battery Operated 1-1/2" Top Inlet Closet Fixture LESS STOP, WITH MODIFIED TAIL TO FIT SLOAN®/ZURN® STOP

- Polished chrome plated vandal resistant metal cover with top mounted sensor operated **H₂OPTICS®** electronics
- Right or left-hand supply installation
- ADA compliant, automatic operation battery powered infrared sensor
- Scratch resistant replaceable lens window
- Four (4) size AA alkaline batteries factory installed with valve in sleep mode for easy installation
- Hinged battery housing for easy maintenance
- Low battery flashing light (5000 flushes remaining), with battery strength indicator
- Supplied with an advanced infrared sensor activated flush system that uses precise user distance measurements along with a bowl length setting to activate the correct flush for each usage
- Optional 24 hour automatic flush factory set to OFF
- Set-up sensor range adjustment indicator lights
- 6 VDC input, 6 second arming delay
- Electronic operated non-hold-open **metal** override button with 5 second lockout
- Quiet action, TECK® exposed diaphragm flush valve
- Chloramine resistant diaphragm
- Forged brass diaphragm retainer
- Renewable seat
- Polished chrome plated body
- **External water conserving flush adjustment**, factory set to 6 litre (1.6 gal.) (except -48 and -6 models)
- Adjustable 114mm to 131mm (4.5" to 5.18") inlet/valve outlet centers
- Vacuum breaker
- Spud flange, concealed spud nut, and 292mm (11-1/2") outlet tube
- **Recommended water supply:**
Minimum flowing pressure – 25 psi (172 kPa)
Minimum flow rate – 25 gpm (95 L/min)

Approvals:

- IAPMO listed to ASSE 1037/ ASME A112.1037/ CSA B125.37
- Indicates compliance to ICC/ANSI A117.1

(Contact Delta Representative for State and/or Local Approvals.)

Patented

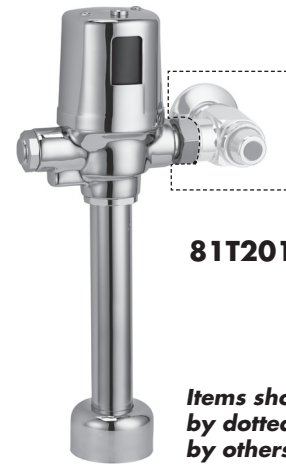


Engineer/Architect Approval

Model Specified:

Approval:

Date:



81T201BTA-30

Items shown outlined by dotted lines supplied by others.

81T201BTA-30-6

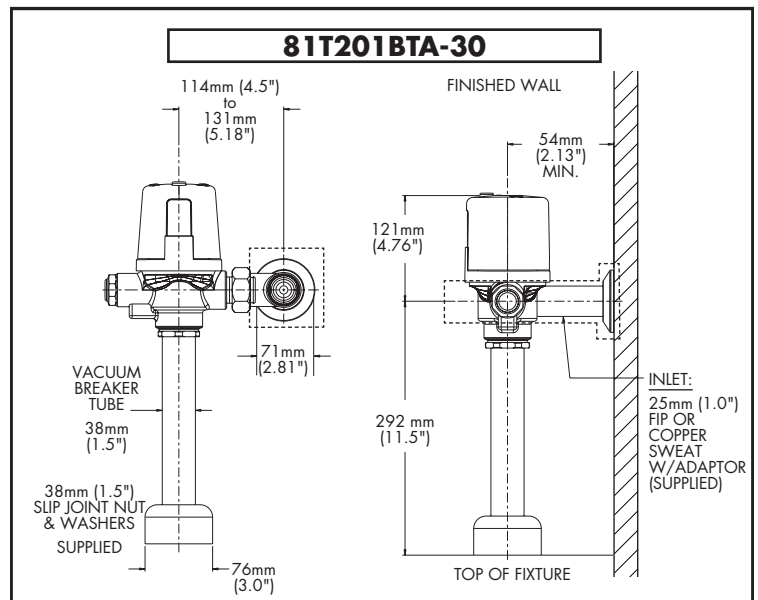
Same as 81T201BTA-30, but **Not Field Adjustable**

81T201BTA-30-13

Same as 81T201BTA-30, but factory set to 13 litre (3.4 gal.)

81T201BTA-30-48

Same as 81T201BTA-30, but factory set to 4.8 litre (1.27 gal.), **Not Field Adjustable**



Note: For high and low pressure applications, please see page FEA-81T High Water Pressure note for more details.

Verify flow requirements with bowl manufacturer.

Note: Measurements may vary ± 6mm (0.25")

Refer to www.specselect.com for individual models.

Note: Use this page as a product submittal sheet.