

Arrow Hart 60A & 63A IEC 309 Watertight pin & sleeve devices

| | |
|-----------------|--------------|
| Project Name: | Prepared By: |
| Project Number: | Date: |
| Catalog Number: | Type: |

Product Description - North American & International

60A & 63A;
 2-pole, 3-wire grounding;
 3-pole, 4-wire grounding;
 4-pole, 5-wire grounding



AH460R5W



AH560P9WDR



AH560C9WDR



AH360B7W



AH560R9W-15

Pin & sleeve plugs features & benefits

- Products with a DR suffix are dual rated for International and North American amperages
- Mechanical cord clamp with silicone rubber grommet seal and locking screw ensures a positive and watertight strain relief system
- Tri-combo cord grip screws for convenience
- Durable impact resistant thermoplastic body
- Color-coded front housing for easy and accurate identification of voltages
- Oversized grounding pin assures mating only with oversized female grounding sleeve; staggered contact to ensure ground makes first and breaks last
- Engineered thermoplastic material improves cold impact performance for 60A & 100A devices
- Spring-loaded self-closing cap with silicone rubber gasket protects contacts when not in use. Watertight cap meets IP67 and IP69K protection standards
- Rugged materials selected for use in wet locations; provides corrosion resistance
- Standard mounting footprints and blind holes provide interchangeability with major brands
- Nickel plated pins offer long life corrosion protection
- Pins fully shrouded for mechanical protection; lockout hole for plugs
- Threaded NPT cable entry provides efficient means of attaching flexible conduit or wire mesh grips
- Tapered wiring pockets to ease insertion of stranded wire; deep pockets with clear markings keep bare conductors isolated

Compliances, specifications and availability are subject to change without notice.



Powering Business Worldwide

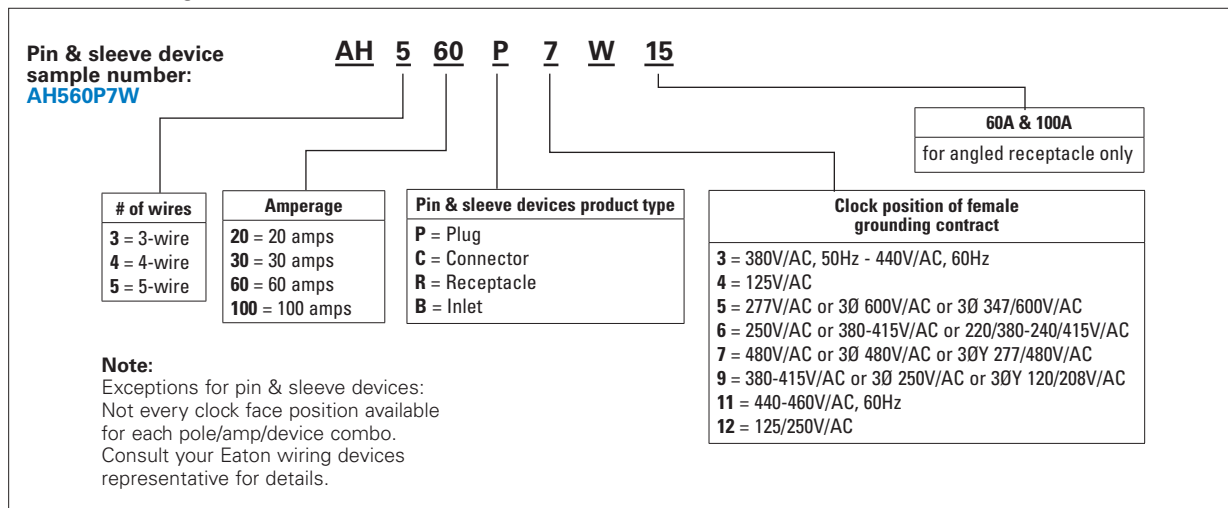
| | |
|-----------------|--------------|
| Project Name: | Prepared By: |
| Project Number: | Date: |
| Catalog Number: | Type: |

Table 1. 60A & 63A Pin & sleeve devices for receptacles, plugs, connectors & inlets

| Poles/ wires | Rating A | V/AC, color coding & configurations | Receptacle catalog no. | Plug catalog no. | Connector catalog no. | Inlet catalog no. | 15° Angled Receptacle catalog no. |
|-----------------|-------------|--|---------------------------|---------------------|--------------------------|----------------------|---|
| 2-P, 3-W | 60 | 125 | AH360R4W | AH360P4W | AH360C4W | AH360B4W | — |
| | 60/63 | 250 | AH360R6WDR | AH360P6WDR | AH360C6W | AH360B6WDR | — |
| | 60 | 480 | AH360R7W | AH360P7W | AH360C7W | AH360B7W | — |
| 3-P, 4-W | 60 | 125/250 | AH460R12W | AH460P12W | AH460C12W | AH460B12W | — |
| | 60/63 | 3Ø 250 | AH460R9WDR | AH460P9WDR | AH460C9WDR | AH460B9WDR | — |
| | 60/63 | 380-415 | AH460R6WDR | AH460P6WDR | AH460C6WDR | AH460B6WDR | — |
| | 60 | 3Ø 480 | AH460R7W | AH460P7W | AH460C7W | AH460B7W | — |
| | 60 | 3Ø 600 | AH460R5W | AH460P5W | AH460C5W | AH460B5W | — |
| 4-P, 5-W | 60/63 | 3ØY 120/208 | AH560R9WDR | AH560P9WDR | AH560C9WDR | AH560B9WDR | AH560R9W-15 |
| | 60/63 | 220/380-200/415 | AH560R6WDR | AH560P6WDR | AH560C6WDR | AH560B6WDR | — |
| | 60 | 3ØY 277/480 | AH560R7W | AH560P7W | AH560C7W | AH560B7W | — |
| | 60 | 3ØY 347/600 | AH560R5W | AH560P5W | AH560C5W | AH560B5W | — |

Catalog numbers with a DR suffix are certified for dual rating at North American and International amperages

Table 2. Ordering matrix



| | |
|-----------------|--------------|
| Project Name: | Prepared By: |
| Project Number: | Date: |
| Catalog Number: | Type: |

Applications

Eaton's Arrow Hart series of Pin & Sleeve products have been expanded to include dual rating for both North American and European amperages. These products are ideal for the data center industry as customers now only need one part number to power server assemblies in the US and overseas. Our dual rated devices carry an IP69K rating and Arrow Hart's signature features that make installation fast and reliable. Arrow Hart's pin and sleeve devices were unlike other brands – our devices were the industry's first to offer IP69K rated protection. Each device has been carefully engineered to offer reliability, efficiency, and added safety protection in demanding wet locations, particularly where harsh washdowns are a must!

Table 3. Specifications

| Device Type | 60A & 63A pin & sleeve receptacles | 60A & 63A pin & sleeve plugs | 60A & 63A pin & sleeve connectors | 60A & 63A pin & sleeve inlets |
|--------------------------------------|--|--|--|--|
| Testing & code compliance | Base device: <ul style="list-style-type: none"> Classified to IEC standards 60309-1 and 60309-2 cULus listed to UL1682 & UL1686 and CSA 22.2 no. 182.1 Dual rated devices are TUV listed | Base device: <ul style="list-style-type: none"> Classified to IEC standards 60309-1 and 60309-2 cULus listed to UL1682 & UL1686 and CSA 22.2 no. 182.1 Dual rated devices are TUV listed | Base device: <ul style="list-style-type: none"> Classified to IEC standards 60309-1 and 60309-2 cULus listed to UL1682 & UL1686 and CSA 22.2 no. 182.1 Dual rated devices are TUV listed | Base device: <ul style="list-style-type: none"> Classified to IEC standards 60309-1 and 60309-2 cULus listed to UL1682 & UL1686 and CSA 22.2 no. 182.1 Dual rated devices are TUV listed |
| Environmental specifications | Flammability: Meets UL94 requirements; HB rated (housing), V0 rated (contact carriers) Protection: Watertight to IP67 per IEC 60529 & IP69K to DIN 40050 Part 9 | Flammability: Meets UL94 requirements; HB rated (housing), V0 rated (contact carriers) Protection: Watertight to IP67 per IEC 60529 & IP69K to DIN 40050 Part 9 | Flammability: Meets UL94 requirements; HB rated (housing), V0 rated (contact carriers) Protection: Watertight to IP67 per IEC 60529 & IP69K to DIN 40050 Part 9 | Flammability: Meets UL94 requirements; HB rated (housing), V0 rated (contact carriers) Protection: Watertight to IP67 per IEC 60529 & IP69K to DIN 40050 Part 9 |
| Electrical specifications | Dielectric voltage: 3000V Maximum working voltage: 600V (rms) Current interrupting: Yes, at full-rated current & voltage Temperature rise: Max. 30°C (86°F) after 50 cycles of overload @150% of rated current Endurance: 2000 cycles | Dielectric voltage: 3000V Maximum working voltage: 600V (rms) Current interrupting: Yes, at full-rated current & voltage Temperature rise: Max. 30°C (86°F) after 50 cycles of overload @150% of rated current Endurance: 2000 cycles | Dielectric voltage: 3000V Maximum working voltage: 600V (rms) Current interrupting: Yes, at full-rated current & voltage Temperature rise: Max. 30°C (86°F) after 50 cycles of overload @150% of rated current Endurance: 2000 cycles | Dielectric voltage: 3000V Maximum working voltage: 600V (rms) Current interrupting: Yes, at full-rated current & voltage Temperature rise: Max. 30°C (86°F) after 50 cycles of overload @150% of rated current Endurance: 2000 cycles |
| Mechanical Specifications | Voltage ratings: Marked on device Impact resistance: UL1682 Cable grip retention: UL1682 | Voltage ratings: Marked on device Impact resistance: UL1682 Cable grip retention: UL1682 | Voltage ratings: Marked on device Impact resistance: UL1682 Cable grip retention: UL1682 | Voltage ratings: Marked on device Impact resistance: UL1682 Cable grip retention: UL1682 |

Table 4. Materials

| Device Type | 60A & 63A pin & sleeve receptacles | 60A & 63A pin & sleeve plugs | 60A & 63A pin & sleeve connectors | 60A & 63A pin & sleeve inlets |
|-------------------------------------|------------------------------------|------------------------------|-----------------------------------|-------------------------------|
| Housing & flange | Nylon PA6 | Nylon PA6 | Nylon PA6 | Nylon PA6 |
| Back body | N/A | Nylon PA6-GF30 | Nylon PA6-GF30 | N/A |
| Contact carrier | Nylon PA6 | Nylon PA6 | Nylon PA6 | Nylon PA6 |
| Sleeves | Nickel plated brass | N/A | Nickel plated brass | N/A |
| Contact spring on sleeves | Nickel plated spring steel | N/A | Nickel plated spring steel | N/A |
| Pins | N/A | Nickel plated brass | N/A | Nickel plated brass |
| External strain relief clamp | N/A | Nylon PA6-GF30 | Nylon PA6-GF30 | N/A |
| Cable seal | N/A | Silicon rubber | Silicon rubber | N/A |
| Support washer for cord grip | N/A | Plated steel | Plated steel | N/A |
| Cover | N/A | Nylon PA6-GF30 | N/A | Nylon PA6-GF30 |
| Hinge pin | Nylon PA6-GF30 | N/A | Nylon PA6-GF30 | N/A |
| Cover spring | Nickel plated spring steel | N/A | Nickel plated spring steel | N/A |
| Cover gasket | Silicon rubber | N/A | Silicon rubber | N/A |
| Flange gasket | Silicon rubber | N/A | N/A | Silicon rubber |
| Terminal screws | Nickel plated steel | Nickel plated steel | Nickel plated steel | Nickel plated steel |
| Assembly screws | Stainless steel | Stainless steel | Stainless steel | Stainless steel |

| | |
|-----------------|--------------|
| Project Name: | Prepared By: |
| Project Number: | Date: |
| Catalog Number: | Type: |

Product Dimensions

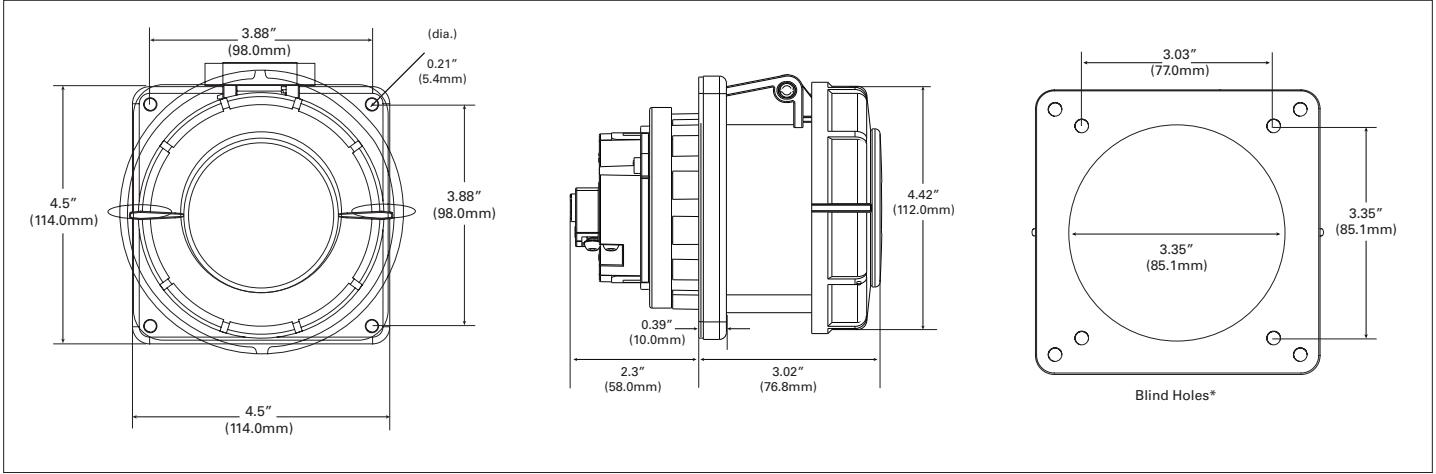


Figure 1. 60A & 63A Receptacles, Front, Side & Back Views

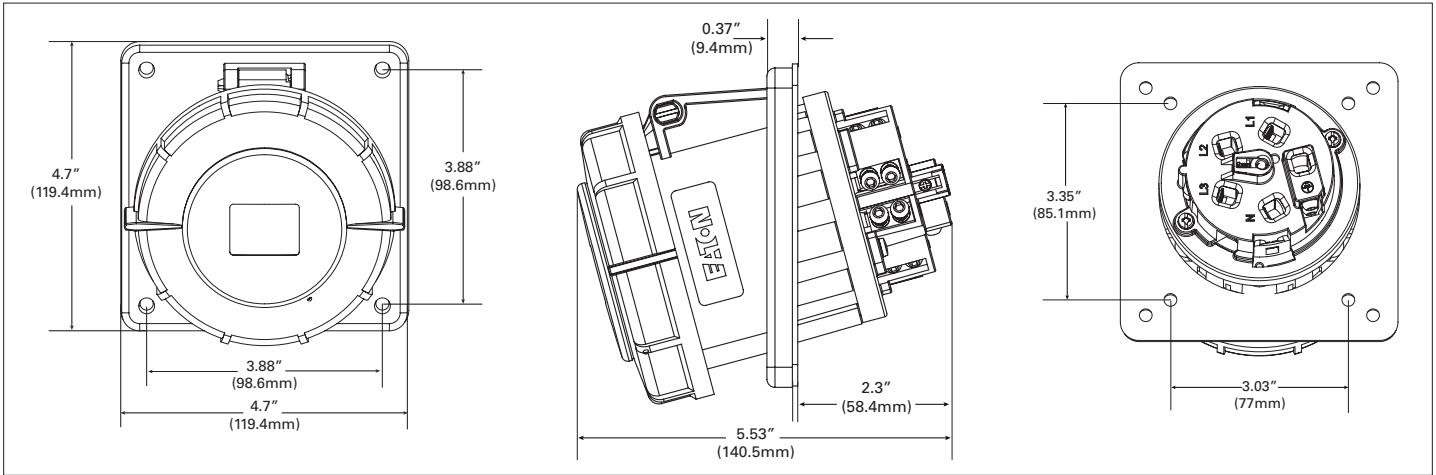


Figure 2. 60A & 63A Angled Receptacle, Front, Side & Back Views

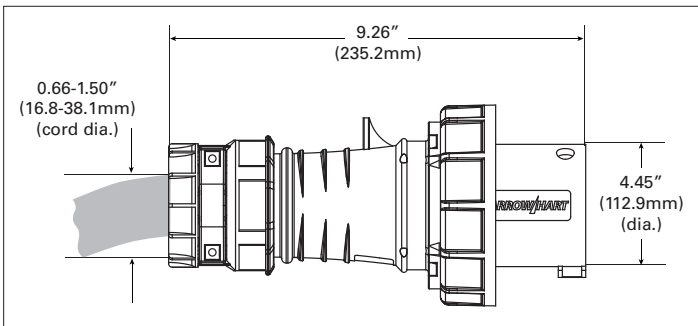


Figure 3. 60A & 63A Plugs, Side View

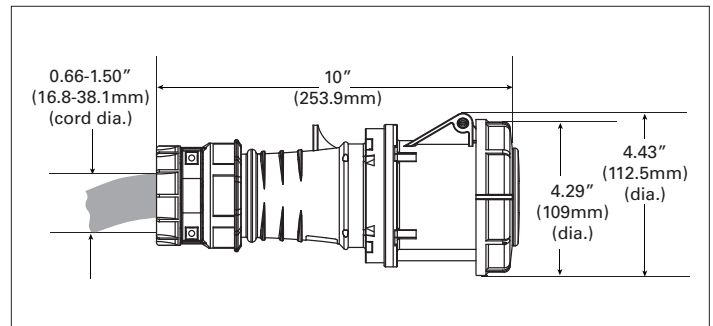


Figure 4. 60A & 63A Connectors, Side View

| | |
|-----------------|--------------|
| Project Name: | Prepared By: |
| Project Number: | Date: |
| Catalog Number: | Type: |

Product Dimensions

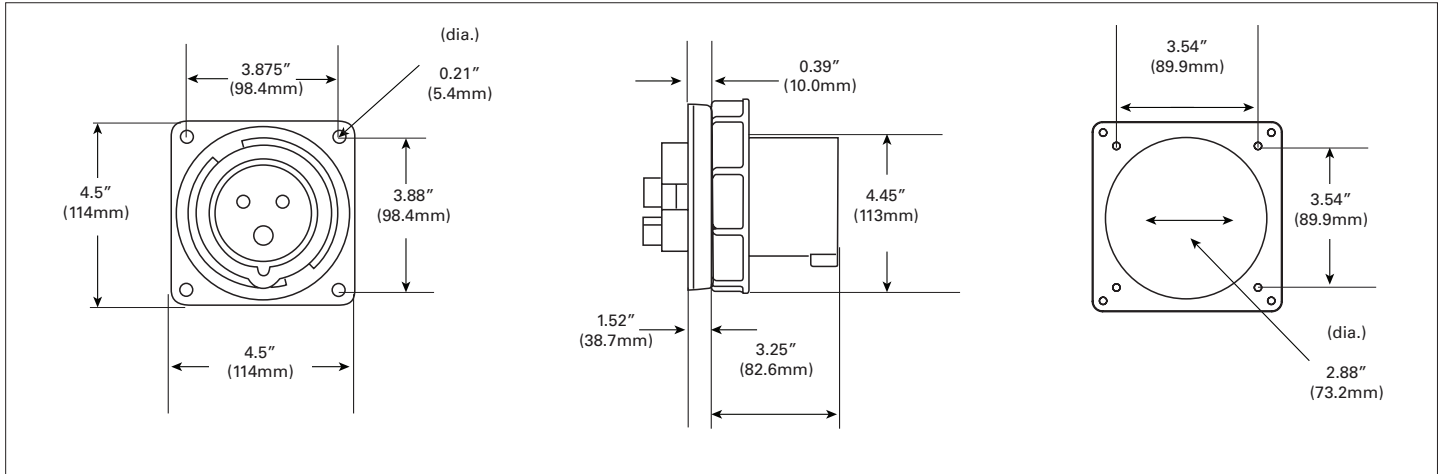








Figure 5. 60A & 63A Inlets Front, Side & Back View Inlets

| | |
|-----------------|--------------|
| Project Name: | Prepared By: |
| Project Number: | Date: |
| Catalog Number: | Type: |

Certifications & Compliances

| Catalog No. | | | | |  |  |  |
|-------------|------------|------------|------------|-------------|---|---|---|
| AH360R4W | AH360P4W | AH360C4W | AH360B4W | — | • | • | |
| AH360R6WDR | AH360P6WDR | AH360C6WDR | AH360B6WDR | — | • | • | • |
| AH360R7W | AH360P7W | AH360C7W | AH360B7W | — | • | • | |
| AH460R12W | AH460P12W | AH460C12W | AH460B12W | — | • | • | |
| AH460R9WDR | AH460P9WDR | AH460C9WDR | AH460B9WDR | — | • | • | • |
| AH460R7W | AH460P7W | AH460C7W | AH460B7W | — | • | • | |
| AH460R5W | AH460P5W | AH460C5W | AH460B5W | — | • | • | |
| AH560R9WDR | AH560P9WDR | AH560C9WDR | AH560B9WDR | AH560R9W-15 | • | • | • |
| AH560R7W | AH560P7W | AH560C7W | AH560B7W | — | • | • | |
| AH560R5W | AH560P5W | AH560C5W | AH560B5W | — | • | • | |
| AH460R6WDR | AH460P6WDR | AH460C6WDR | AH460B6WDR | — | • | • | • |
| AH560R6WDR | AH560P6WDR | AH560C6WDR | AH560B6WDR | — | • | • | • |

KEY:  cULus  European conformity  TÜV Rheinland

Compliances, specifications and availability are subject to change without notice.

Electrical Sector
1123 Hwy 74 S
Peachtree City, GA 30269
United States
Eaton.com
Eaton.com/ArrowHart

Electrical Sector
Canada Operations
5925 McLaughlin Road
Mississauga, Ontario, L5R 1B8
Canada
EatonCanada.ca
Eaton.com/ArrowHart

Electrical Sector
Mexico Operations
Carr. Tlalnepantla -
Cuautitlan Km 178 s/n
Col. Villa Jardin esq.
Cerrada 8 de Mayo
Cuautitlan, Mexico CP 54800
Mexico
Eaton.mx
Eaton.com/ArrowHart