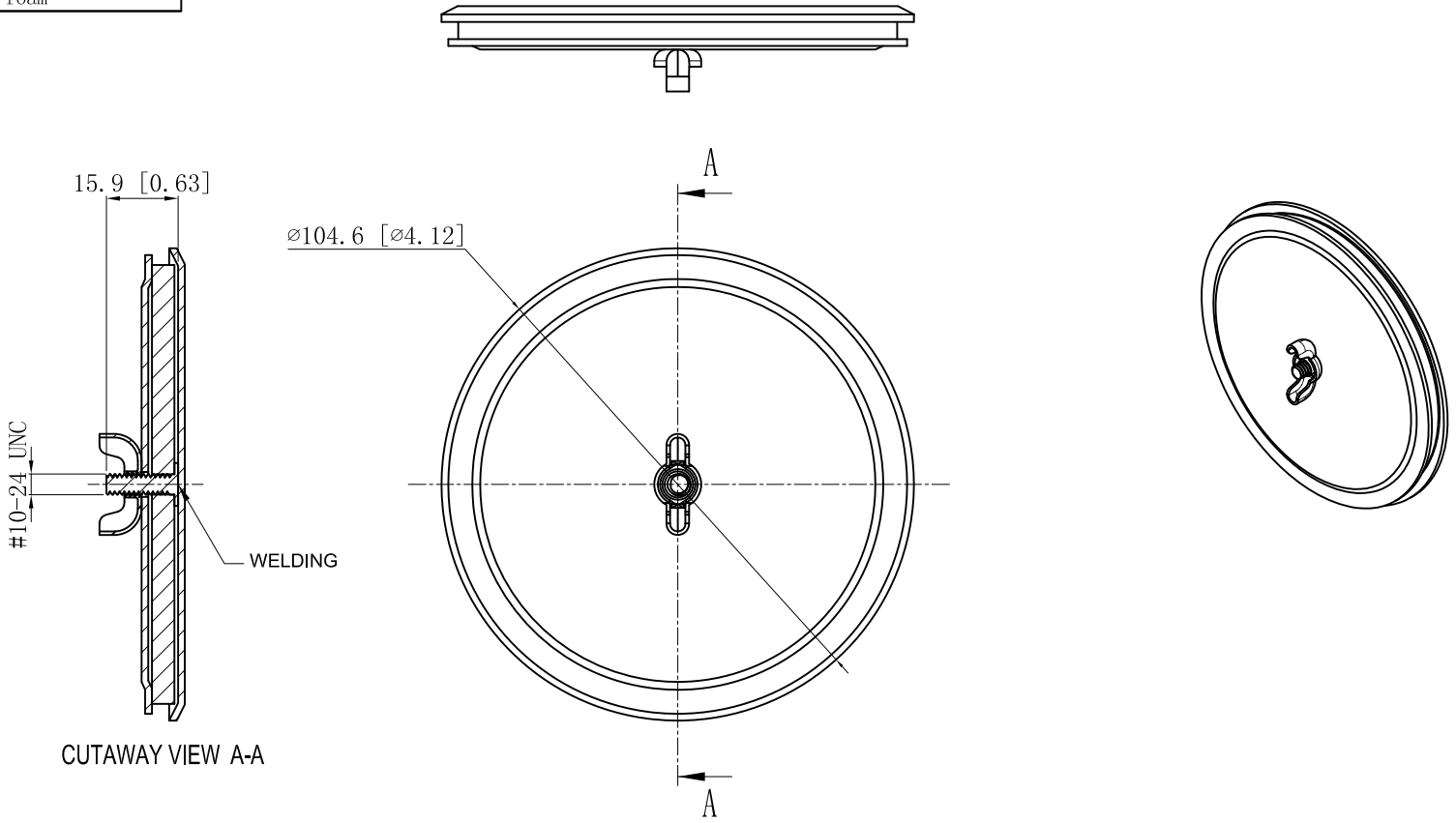


SIDES	BOTTOM
Material: Steel-0.059"-C.R.S , Powder coating gary	
Gasket Material: PVC Closed-cell foam	



This data sheet is for reference only .GARVIN INDUSTRIES reserves the right to make changes to the design without prior notice.

DESCRIPTION
TRADE REFERENCE TERMS

STANDARD PACKING
5 PCS

GARVIN INDUSTRIES		
TITLE KNOCKOUT SEALS		
SIZE A4	DWG NO. KOS-300-OT	REV A
DATA SHEET		
www.garvinindustries.com		