

FIG. 1

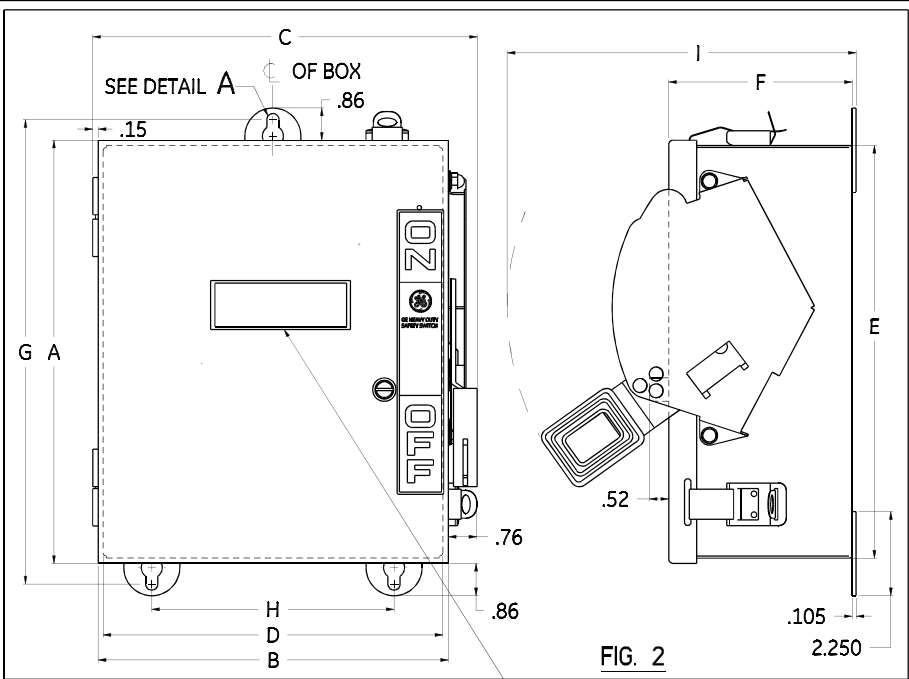
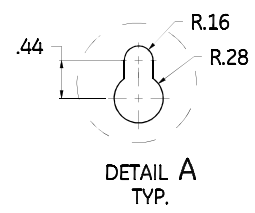


FIG. 2

WINDOW FOR THXXXXSSW CATALOGS.

GCAT NO.		DIMENSION TABLE									
MOD.	FIG.	A	B	C	D	E	F	G	H	I	
THN3361SS316/THN3361SS316-BA/THN3361SS-BA	02 1										
THN3361SS	13 1	11.33	9.39	10.11	9.11	11.05	4.92	12.43	6.50	9.36	
THN2261SSDC	12 1										
THN3361SSW	13 2										
TH3361SS316/TH3361SS316-BA/TH3361SS-BA	02 1										
TH3361SS/TH2261SSDC	13 1	13.33	9.39	10.11	9.11	13.05	4.92	14.43	6.50	9.36	
TH3361SSW	13 2										
TH4321SS-BA/TH3321SS-BA/ TH2221SS-BA/TH3221SS-BA	02 1										
TH3321SS/TH4321SS/TH2221SS/TH3221SS	13 1	11.33	7.39	8.11	7.11	11.05	4.92	12.43	4.50	9.36	
TH2221SW/TH3221SSW	12 2										
TH4321SSW	13 2										
THN3362SS316/THN3362SS316-BA/THN3362SS-BA	02 1										
THN3362SS/THN3362SSCL/THN3361SSCL	13 1	13.33	9.39	10.11	9.11	13.05	5.17	14.43	6.50	9.62	
THN2262SSDC	12 1										
THN3362SSW	13 2										
TH3362SS316/TH3362SS316-BA	02 1										
TH4322SSW/TH3362SSW/TH2222SSW	12 2										
TH3322SSW	13 2										
TH2222SS-BA/TH4322SS-BA/TH3362SS-BA	02 1	19.33	9.39	10.11	9.11	19.05	5.17	20.43	6.50	9.62	
TH3222SS-BA/TH3322SS-BA											
TH3322SS/TH2222SS/TH4322SS/ TH3362SS/TH3222SS/TH2262SSDC	13 1										



NOTE:
1. ALL DIMENSIONS ARE IN INCHES.
2. ALL DIMENSIONS HAVE ±0.125 TOLERANCE.

GE Industrial Solutions		
OUTLINE DRAWING - HEAVY DUTY SAFETY SWITCH 30 & 60A, NEMA - TYPE 4/4X ENCLOSURE WITH AND WITHOUT VIEWING WINDOW OPTION		
DWG NO.	DATE	REV
10103091SH109	12/17/2013	06