

PROJECT: _____	UNIT TAG: _____	QUANTITY: _____
REPRESENTATIVE: _____	TYPE OF SERVICE: _____	DATE: _____
ENGINEER: _____	SUBMITTED BY: _____	DATE: _____
CONTRACTOR: _____	APPROVED BY: _____	DATE: _____
	ORDER NO.: _____	DATE: _____

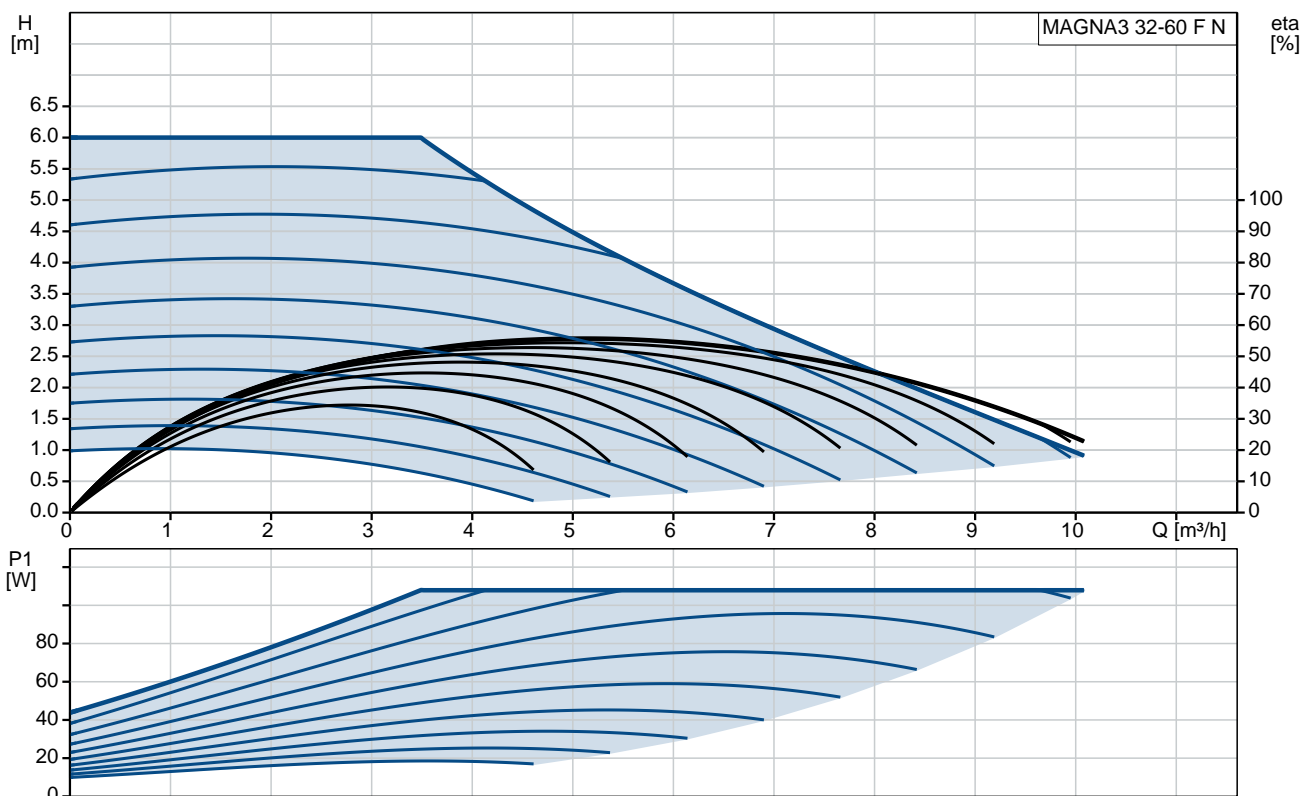
MAGNA3 32-60 F N

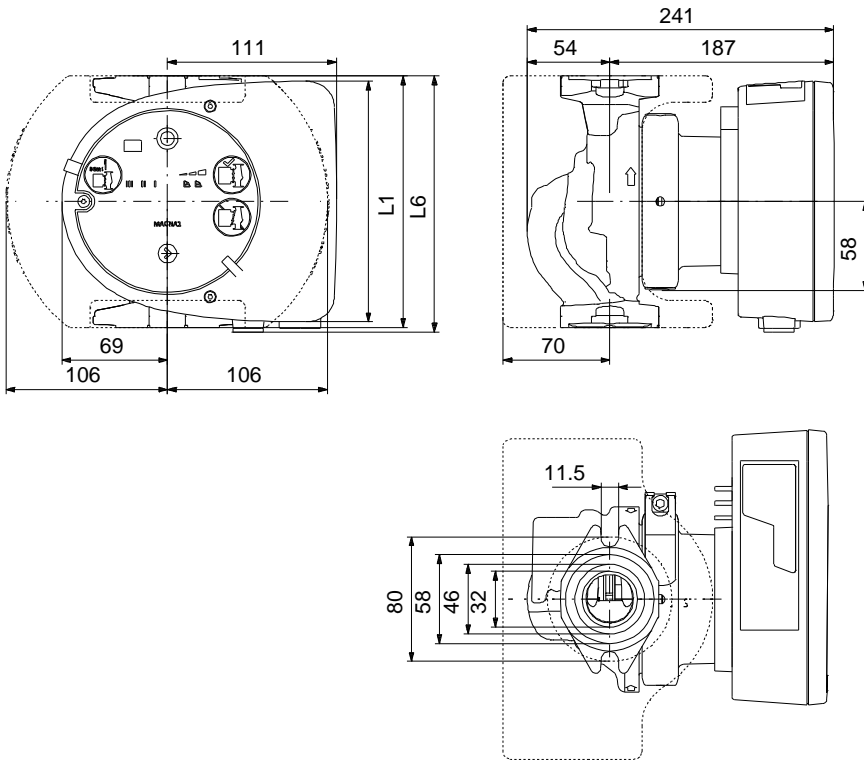


The newest high-end domestic hot water solution, a large number of electronically controlled operation features and by far exceeding the demands from the EuP directive.

Note! Product picture may differ from actual product

Conditions of Service	Pump Data	Motor Data
Flow: _____	Maximum operating pressure: 12 bar	P1 max: 8.45 .. 108 W
Head: _____	Liquid temperature range: -10 .. 110 °C	Rated voltage: 115-230 V
Efficiency: _____	Maximum ambient temperature: 40 °C	Mains frequency: 60 Hz
Liquid: Water	Approvals: ETL FCC 300DPI	Enclosure class: X4D
Temperature: 60 °C	Flange standard: GF	Insulation class: F
NPSH required: m	Pipe connection: GF15/26/40/43	
Viscosity: _____	Product number: On request	
Specific Gravity: 0.985		





Materials:

Pump housing: Stainless steel
 EN 1.4308
 ASTM 351 CF8

Impeller: PES 30%GF

Tender Text



Note! Product picture may differ from actual product

Product No.: On request

MAGNA3 32-60 F N

MAGNA3 – More than a pump

With its unrivalled efficiency, all-encompassing range and built-in communication capabilities plus functionalities replacing system components, the MAGNA3 is ideal for engineers and specifiers looking to create high-performance systems for buildings.

This pump in the Grundfos Master Class will fit both heating and cooling applications perfectly, making it the obvious choice for almost any building project – old or new.

The MAGNA3 is of the canned-rotor type, i.e. pump and motor form an integral unit without shaft seal and with only two gaskets for sealing. The bearings are lubricated by the pumped liquid.

The innovative clamp with only one screw enables easy repositioning of the pump head.

The MAGNA3 is a pump with no maintenance requirements and with extremely low Life Cycle Cost.

The pump is characterised by the following:

- controller integrated in the control box
- control panel with TFT display on the control box
- control box prepared for optional CIM modules
- built-in differential-pressure and temperature sensor
- cast-iron pump housing (depending on model)
- carbon-fibre-reinforced composite rotor can
- stainless-steel bearing plate and rotor cladding
- aluminium alloy stator housing
- air-cooled power electronics

The MAGNA3 is a single-phase pump.

Characteristic features

- AUTOADAPT.
- FLOWADAPT and FLOWLIMIT (more than a pump function as it reduces the need for pump throttling valves).
- Proportional-pressure control.
- Constant-pressure control.
- Constant-temperature control.
- Constant-curve duty.
- Max. or min. curve duty.
- Automatic Night Setback.
- No external motor protection required.
- Insulating shells supplied with single-head pumps for heating systems.
- Large temperature range where the liquid temperature and the ambient temperature are independent of each other.

Communication

The MAGNA3 enables communication via the following:

- wireless Grundfos GO Remote

- fieldbus communication via CIM modules
- digital inputs
- relay outputs
- analog input (more than a pump function as heat energy meter)

Motor and electronic controller

The MAGNA3 incorporates a 4-pole synchronous, permanent-magnet motor (PM motor). This motor type is characterised by higher efficiency than a conventional asynchronous squirrel-cage motor.

The pump speed is controlled by an integrated frequency converter.

A differential-pressure and temperature sensor is incorporated in the pump.

Liquid:

Pumped liquid: Water
Liquid temperature range: -10 .. 110 °C
Liquid temperature during operation: 60 °C
Density: 983.2 kg/m³

Technical:

TF class: 110
Approvals on nameplate: ETL FCC 300DPI

Materials:

Pump housing: Stainless steel
EN 1.4308
ASTM 351 CF8
Impeller: PES 30%GF

Installation:


Range of ambient temperature: 0 .. 40 °C
Maximum operating pressure: 12 bar
Flange standard: GF
Pipe connection: GF15/26/40/43
Pressure rating: PN12
Port-to-port length: 165 mm

Electrical data:

Power input - P1: 8.45 .. 108 W
Mains frequency: 60 Hz
Rated voltage: 1 x 115-230 V
Maximum current consumption: 0.29 .. 1.01 A
Enclosure class (IEC 34-5): X4D
Insulation class (IEC 85): F

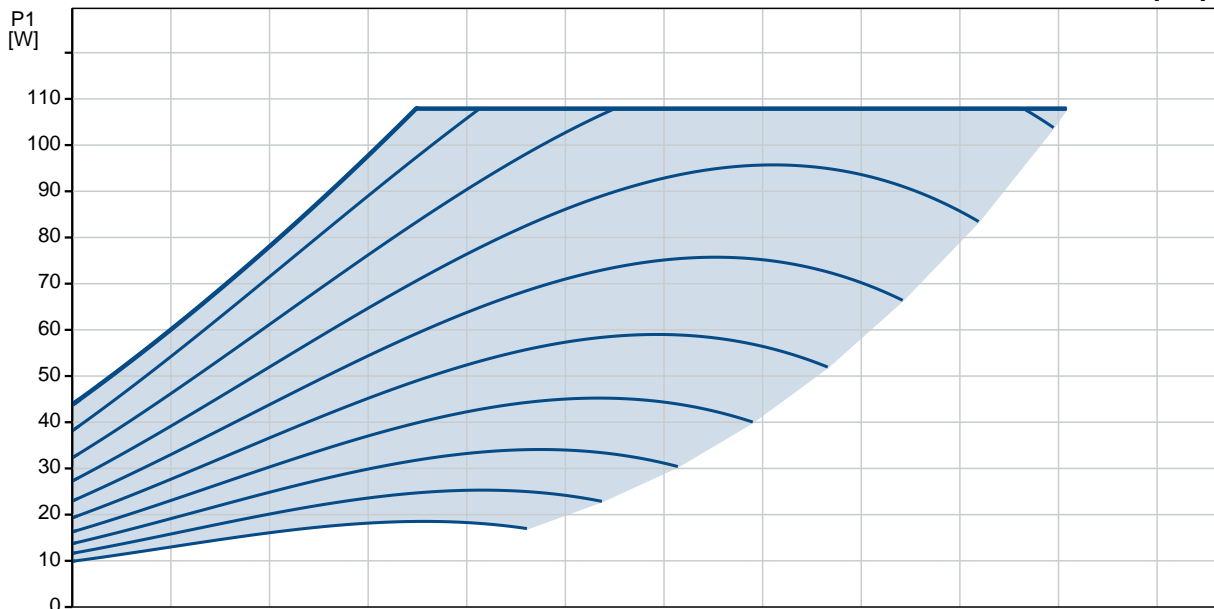
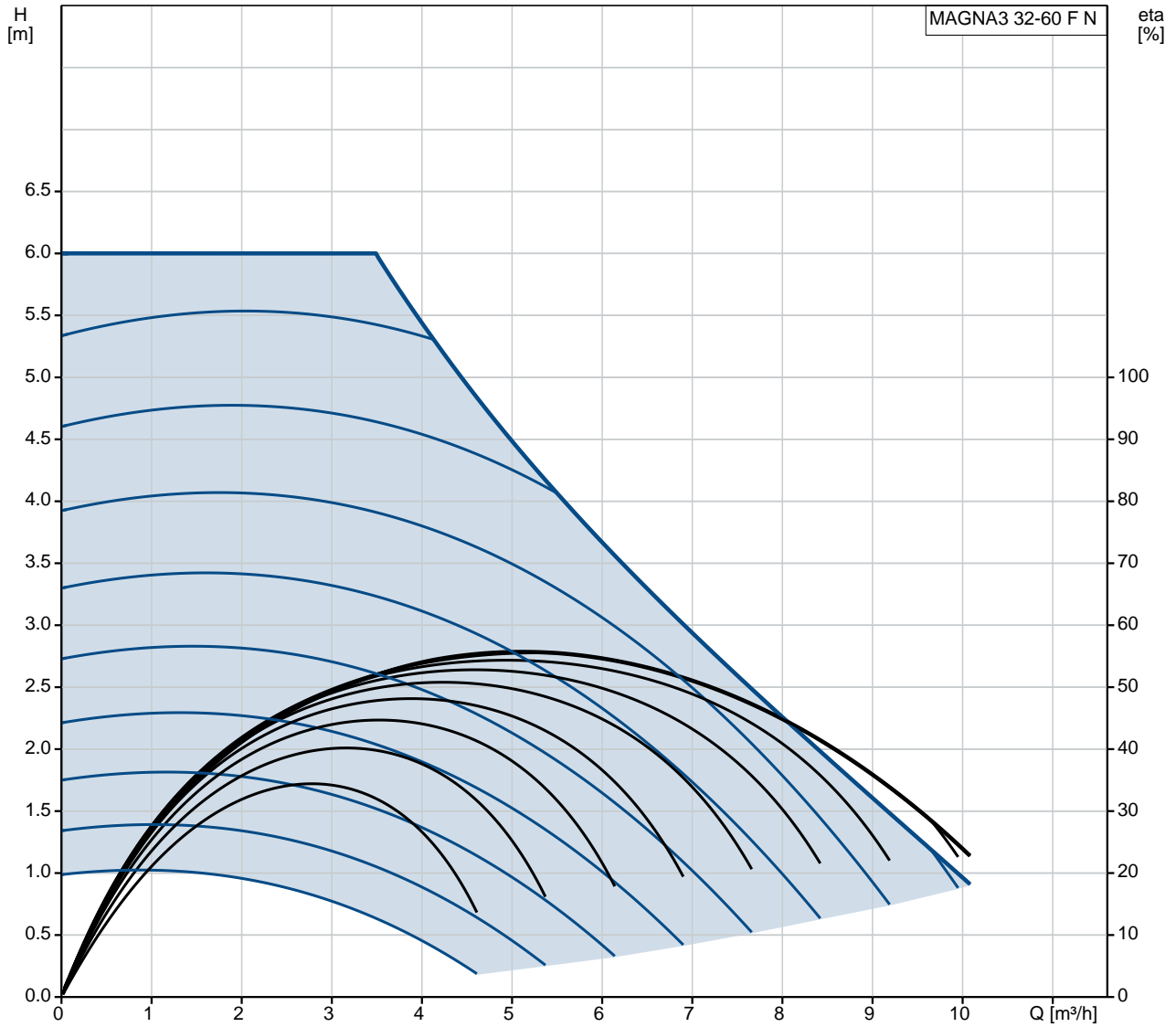
Others:

Energy (EEI): 0.19
Net weight: 5.44 kg
Gross weight: 6.44 kg
Shipping volume: 0.012 m³

Position	Qty.	Description
	1	<p data-bbox="320 338 544 365">MAGNA3 32-60 F N</p> <div data-bbox="384 479 639 689" style="text-align: center;">  </div> <p data-bbox="711 770 1193 797" style="text-align: center;">Note! Product picture may differ from actual product</p> <p data-bbox="320 801 600 828">Product No.: On request</p> <p data-bbox="320 862 655 889">MAGNA3 – More than a pump</p> <p data-bbox="320 891 1449 967">With its unrivalled efficiency, all-encompassing range and built-in communication capabilities plus functionalities replacing system components, the MAGNA3 is ideal for engineers and specifiers looking to create high-performance systems for buildings.</p> <p data-bbox="320 976 1445 1030">This pump in the Grundfos Master Class will fit both heating and cooling applications perfectly, making it the obvious choice for almost any building project – old or new.</p> <p data-bbox="320 1064 1433 1120">The MAGNA3 is of the canned-rotor type, i.e. pump and motor form an integral unit without shaft seal and with only two gaskets for sealing. The bearings are lubricated by the pumped liquid.</p> <p data-bbox="320 1124 1286 1151">The innovative clamp with only one screw enables easy repositioning of the pump head.</p> <p data-bbox="320 1153 1414 1180">The MAGNA3 is a pump with no maintenance requirements and with extremely low Life Cycle Cost.</p> <p data-bbox="320 1214 799 1240">The pump is characterised by the following:</p> <ul data-bbox="320 1243 906 1507" style="list-style-type: none"> • controller integrated in the control box • control panel with TFT display on the control box • control box prepared for optional CIM modules • built-in differential-pressure and temperature sensor • cast-iron pump housing (depending on model) • carbon-fibre-reinforced composite rotor can • stainless-steel bearing plate and rotor cladding • aluminium alloy stator housing • air-cooled power electronics <p data-bbox="320 1509 743 1536">The MAGNA3 is a single-phase pump.</p> <p data-bbox="320 1570 571 1597">Characteristic features</p> <ul data-bbox="320 1599 1449 1975" style="list-style-type: none"> • AUTOADAPT. • FLOWADAPT and FLOWLIMIT (more than a pump function as it reduces the need for pump throttling valves). • Proportional-pressure control. • Constant-pressure control. • Constant-temperature control. • Constant-curve duty. • Max. or min. curve duty. • Automatic Night Setback. • No external motor protection required. • Insulating shells supplied with single-head pumps for heating systems. • Large temperature range where the liquid temperature and the ambient temperature are independent of each other. <p data-bbox="320 2009 496 2036">Communication</p> <p data-bbox="320 2038 932 2065">The MAGNA3 enables communication via the following:</p> <ul data-bbox="320 2067 676 2094" style="list-style-type: none"> • wireless Grundfos GO Remote

Position	Qty.	Description
		<ul style="list-style-type: none"> • fieldbus communication via CIM modules • digital inputs • relay outputs • analog input (more than a pump function as heat energy meter) <p>Motor and electronic controller</p> <p>The MAGNA3 incorporates a 4-pole synchronous, permanent-magnet motor (PM motor). This motor type is characterised by higher efficiency than a conventional asynchronous squirrel-cage motor.</p> <p>The pump speed is controlled by an integrated frequency converter.</p> <p>A differential-pressure and temperature sensor is incorporated in the pump.</p> <p>Liquid:</p> <p>Pumped liquid: Water</p> <p>Liquid temperature range: -10 .. 110 °C</p> <p>Liquid temperature during operation: 60 °C</p> <p>Density: 983.2 kg/m³</p> <p>Technical:</p> <p>TF class: 110</p> <p>Approvals on nameplate: ETL FCC 300DPI</p> <p>Materials:</p> <p>Pump housing: Stainless steel EN 1.4308 ASTM 351 CF8</p> <p>Impeller: PES 30%GF</p> <p>Installation:</p> <p>Range of ambient temperature: 0 .. 40 °C</p> <p>Maximum operating pressure: 12 bar</p> <p>Flange standard: GF</p> <p>Pipe connection: GF15/26/40/43</p> <p>Pressure rating: PN12</p> <p>Port-to-port length: 165 mm</p> <p>Electrical data:</p> <p>Power input - P1: 8.45 .. 108 W</p> <p>Mains frequency: 60 Hz</p> <p>Rated voltage: 1 x 115-230 V</p> <p>Maximum current consumption: 0.29 .. 1.01 A</p> <p>Enclosure class (IEC 34-5): X4D</p> <p>Insulation class (IEC 85): F</p> <p>Others:</p> <p>Energy (EEI): 0.19</p> <p>Net weight: 5.44 kg</p> <p>Gross weight: 6.44 kg</p> <p>Shipping volume: 0.012 m³</p>

On request MAGNA3 32-60 F N 60 Hz



Description	Value
-------------	-------

General information:

Product name:	MAGNA3 32-60 F N
Product No:	On request
EAN number:	On request

Technical:

Head max:	60 dm
TF class:	110
Approvals on nameplate:	ETL FCC 300DPI
Model:	A

Materials:

Pump housing:	Stainless steel EN 1.4308 ASTM 351 CF8
Impeller:	PES 30%GF

Installation:

Range of ambient temperature:	0 .. 40 °C
Maximum operating pressure:	12 bar
Flange standard:	GF
Pipe connection:	GF15/26/40/43
Pressure rating:	PN12
Port-to-port length:	165 mm

Liquid:

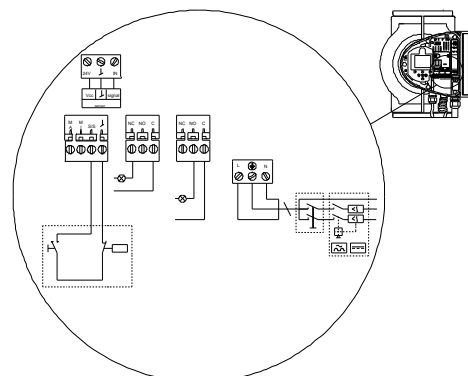
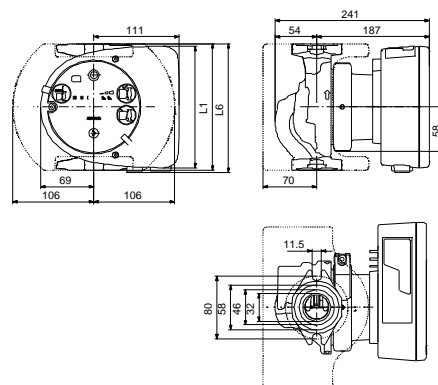
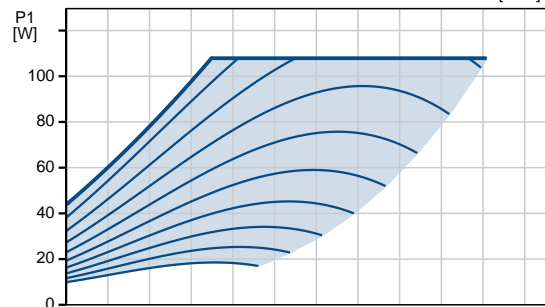
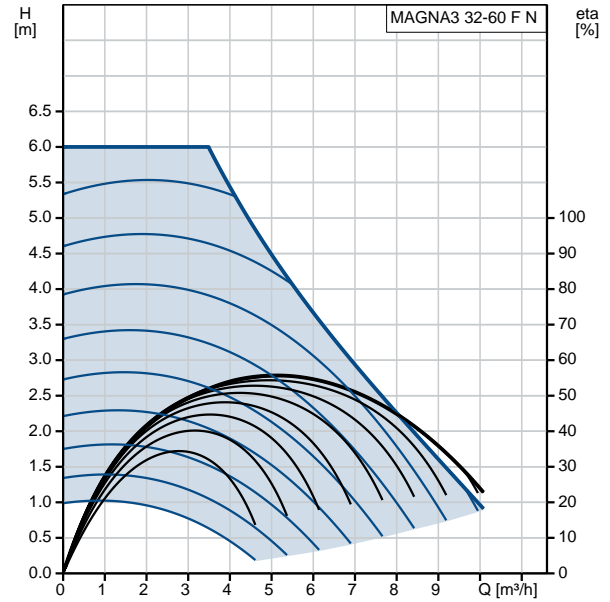
Pumped liquid:	Water
Liquid temperature range:	-10 .. 110 °C
Liquid temperature during operation:	60 °C
Density:	983.2 kg/m ³

Electrical data:

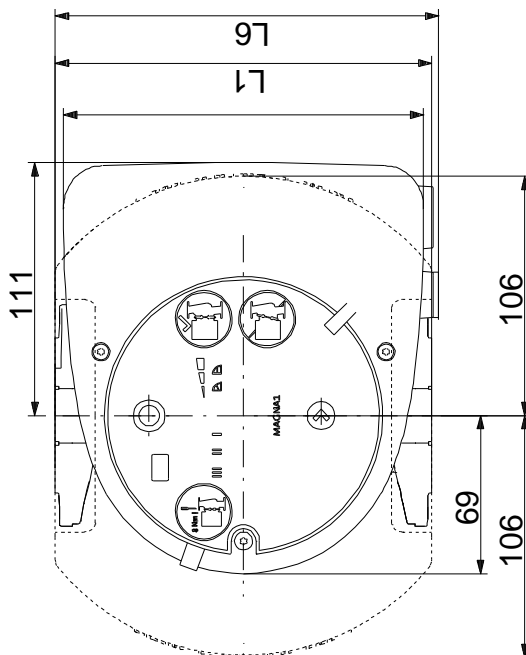
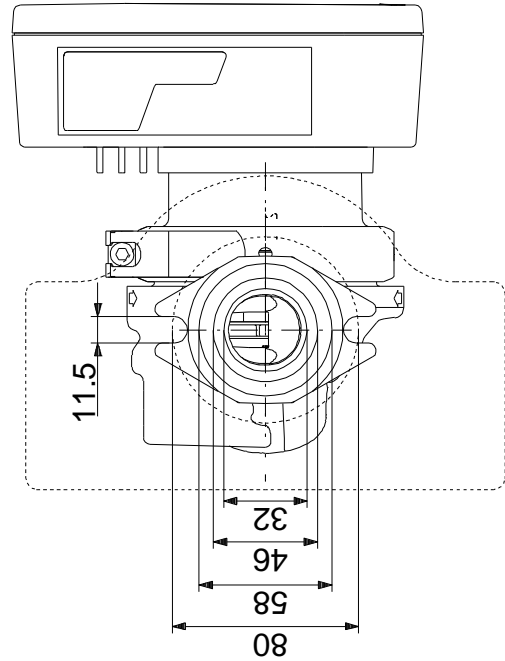
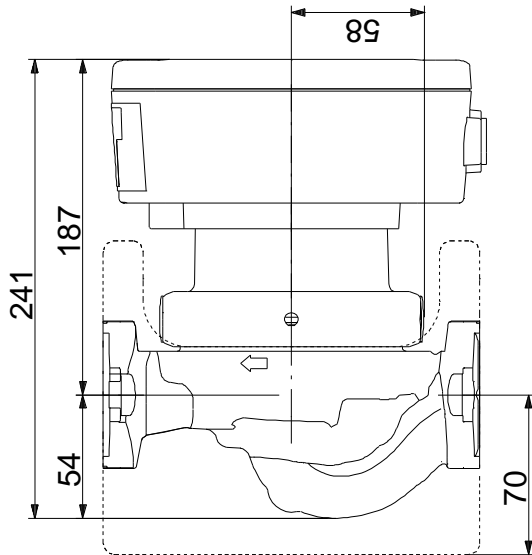
Power input - P1:	8.45 .. 108 W
Mains frequency:	60 Hz
Rated voltage:	1 x 115-230 V
Maximum current consumption:	0.29 .. 1.01 A
Enclosure class (IEC 34-5):	X4D
Insulation class (IEC 85):	F

Others:

Energy (EEI):	0.19
Net weight:	5.44 kg
Gross weight:	6.44 kg
Shipping volume:	0.012 m ³

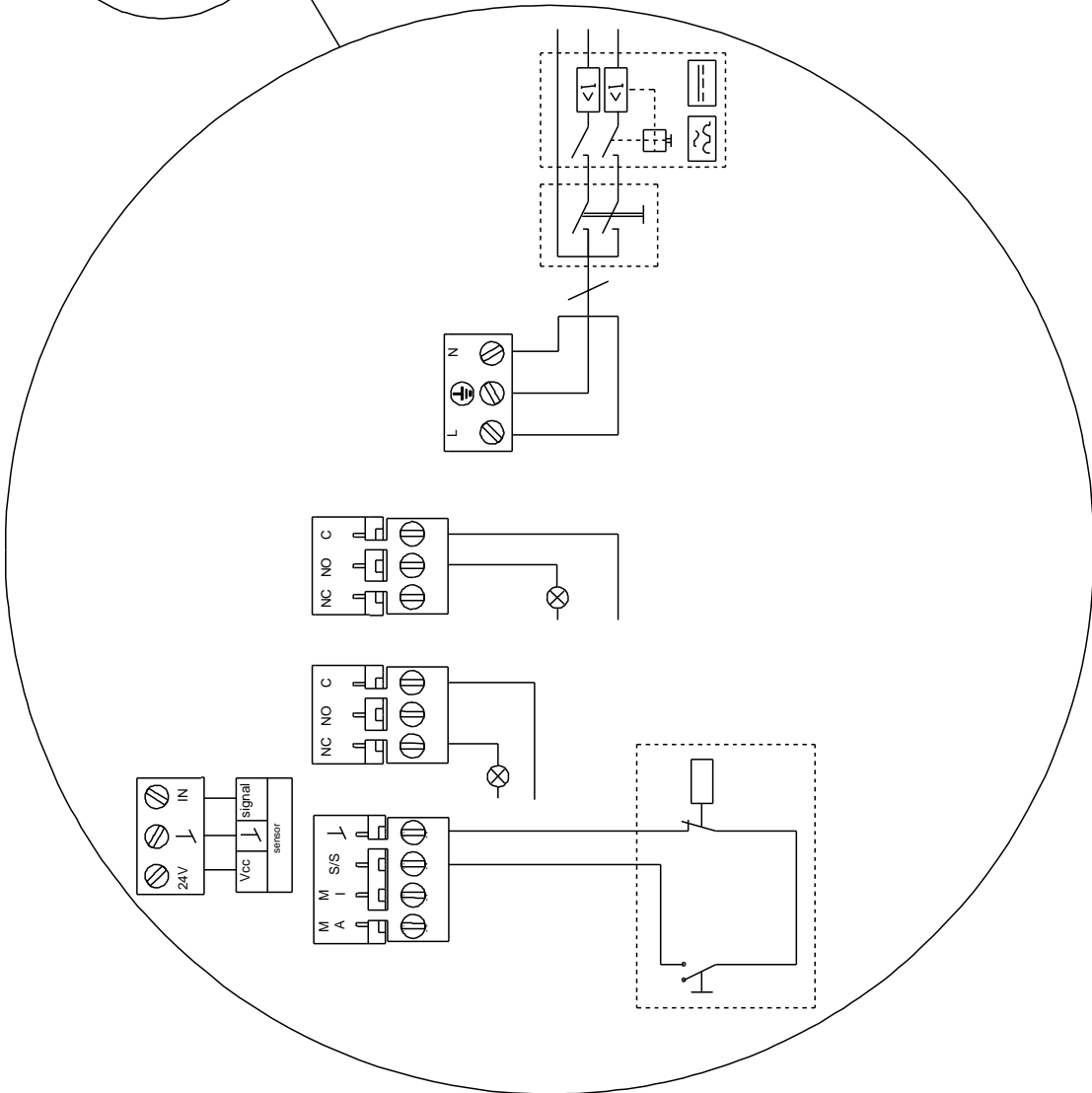
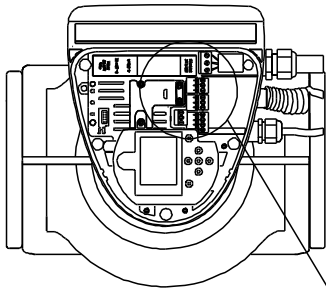


On request MAGNA3 32-60 F N 60 Hz



Note! All units are in [mm] unless others are stated.
Disclaimer: This simplified dimensional drawing does not show all details.

On request MAGNA3 32-60 F N 60 Hz



Note! All units are in [mm] unless others are stated.



Company name:

Created by:

Phone:

Date: 28/11/2017

Order Data:

Product name: MAGNA3 32-60 F N

Amount: 1

Product No: On request

Total: Price on request

Exploded view (TM031248 1405)

