

## Ground-Mount Enclosures Type 12 Center & Flange-Mount Floor-Standing with 3-Point Locking Data Sheet



CD606012-12FD



FD606012-12FD

### Application

- Houses electrical controls and instruments
- Protects against circulating dust, falling dirt and dripping noncorrosive liquids

### Standards

- UL 508A listed, Type 12
- CSA C22.2 No.94 certified, Type 12
- Conforms to NEMA standard for Type 12

### Finish

- Wash and phosphate undercoat
- ANSI 61 gray polyester powder finish

### Accessories

- Panels
- Channel mounting hardware
- Blank adapter plates
- Operator adapters
- Leg stabilizer kit
- Touch-up paint
- Replacement handles: defeater handle BD-PDHB and keyed handle BD-PKHB (see pages 428 & 429).
- See Accessories section

### Discount Schedule: C2

#### Subclass: D00

### Construction

- Enclosure and door are fabricated from (12) gauge steel
- All continuous welded seams are finished smooth
- Doors are secured to the body with removable concealed hinges and a center locating 3-point key-locking and padlock handle mechanism
- Modern bevel profile on hinge side of enclosure doors
- Right-side door serves as the master door on the flange mount disconnect type with a defeater mechanism which requires a screwdriver to open
- Left-side door serves as the master door on the center post disconnect type with a defeater mechanism which requires a flat screwdriver to open
- Slave doors cannot open without activating mechanical interlock but can close in any order
- Universal opening on either the right side flange or the center post will accommodate most disconnect operators when used with operator adapters, (order separately) see page 451
- Print pocket provided
- Doors have an oil-resistant gasket
- Ground studs provided on doors and body
- Lighting mounting channel provided
- Removable center post allows for easy access and panel installation
- Heavy-gauge angle supports and .375-16 collar studs are provided for optional panel mounting
- Large lifting eyebolts are supplied
- Mounting legs are provided for floor mounting

### Discount Schedule: C2

#### Subclass: DOC

#### Important Note

**When ordering flange or center-mounted disconnect enclosures, be sure to include all the necessary components.**

1. A flange or center-mounted enclosure
2. A panel (optional)
3. Operator adapter plates **MUST** be ordered for the specific brand and type of disconnect being used, (see page 451)

Disconnect switch (or circuit breaker), operating handle and operating mechanism are not furnished with enclosure, see disconnect ordering information, pages 312 - 319.

**Notes:** We can provide special sizes, finishes and other modifications. Consult the factory for your special requirements

# Disconnect Enclosures

## Ground-Mount Enclosures Type 12 Center & Flange-Mount Floor-Standing with 3-Point Locking Catalog Number

Disconnect Encl.

### Center-Mounted

Enclosure  Catalog Number	Enclosure Size Height x Width x Depth A x B x C		Panel  Catalog Number	Panel Size Height x Width	
	in.	mm		in.	mm
	CD604812-12FD	60.00 x 48.12 x 12.00		1524 x 1222 x 305	AW6048P
CD606012-12FD	60.00 x 60.12 x 12.00	1524 x 1527 x 305	AW6060P	55.87 x 55.87	1419 x 1419
CD726012-12FD	72.00 x 60.12 x 12.00	1829 x 1527 x 305	AW7260P	67.87 x 55.87	1724 x 1419
CD727212-12FD	72.00 x 72.12 x 12.00	1829 x 1832 x 305	AW7272P	67.87 x 67.87	1724 x 1419
CD727218-12FD	72.00 x 72.12 x 18.00	1829 x 1832 x 305	AW7272P	67.87 x 67.87	1724 x 1724

### Flange-Mounted

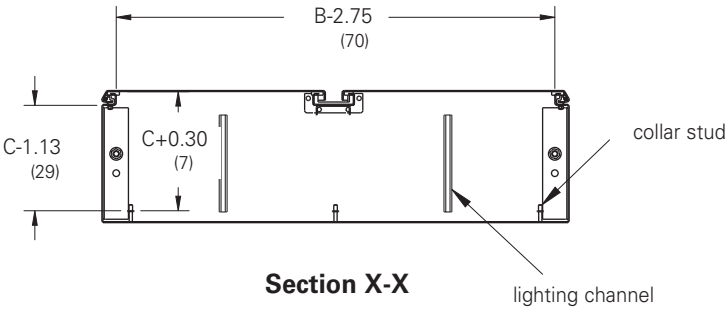
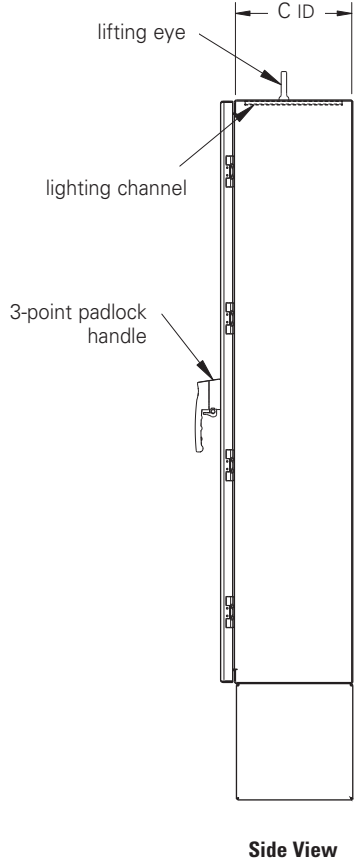
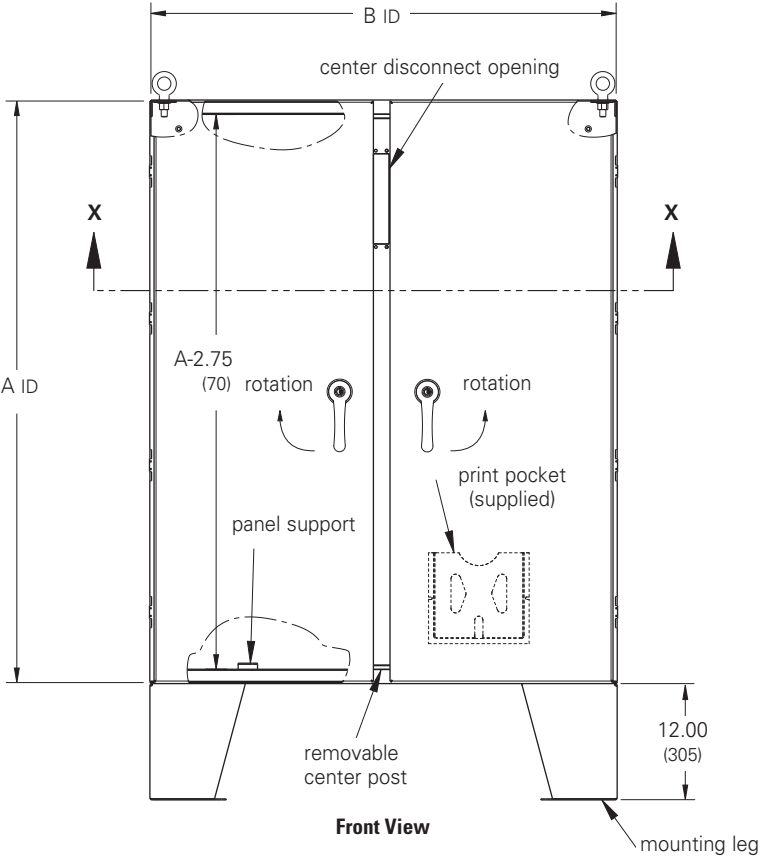
Enclosure  Catalog Number	Enclosure Size Height x Width x Depth A x B x C		Panel  Catalog Number	Panel Size Height x Width	
	in.	mm		in.	mm
	FD604912-12FD	60.00 x 49.00 x 12.00		1524 x 1245 x 305	AW6048P
FD606112-12FD	60.00 x 61.00 x 12.00	1524 x 1549 x 305	AW6060P	55.87 x 55.87	1419 x 1419
FD726112-12FD	72.00 x 61.00 x 12.00	1829 x 1549 x 305	AW7260P	67.87 x 55.87	1724 x 1419
FD727312-12FD	72.00 x 73.00 x 12.00	1829 x 1854 x 305	AW7272P	67.87 x 67.87	1724 x 1724
FD604918-12FD	60.00 x 49.00 x 18.00	1524 x 1245 x 457	AW6048P	55.87 x 43.87	1419 x 1114
FD606118-12FD	60.00 x 61.00 x 18.00	1524 x 1549 x 457	AW6060P	55.87 x 55.87	1419 x 1419
FD726118-12FD	72.00 x 61.00 x 18.00	1829 x 1549 x 457	AW7260P	67.87 x 55.87	1724 x 1419
FD727318-12FD	72.00 x 73.00 x 18.00	1829 x 1854 x 457	AW7272P	67.87 x 67.87	1724 x 1724
FD727324-12FD	72.00 x 73.00 x 24.00	1829 x 1854 x 610	AW7272P	67.87 x 67.87	1724 x 1724

**Notes:** Dimensions are in inches. Millimeters shown are for reference only. Data subject to change without notice.

# Ground-Mount Enclosures Type 12 Center & Flange-Mount Floor-Standing with 3-Point Locking Illustration Sheet

Disconnect Encl.

ID = Inside Dimension



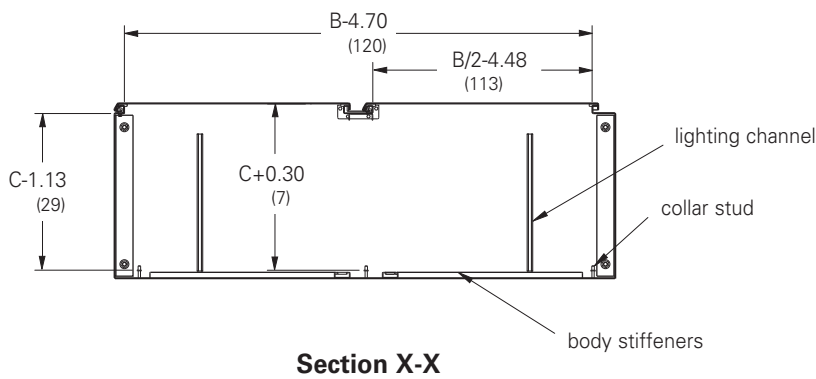
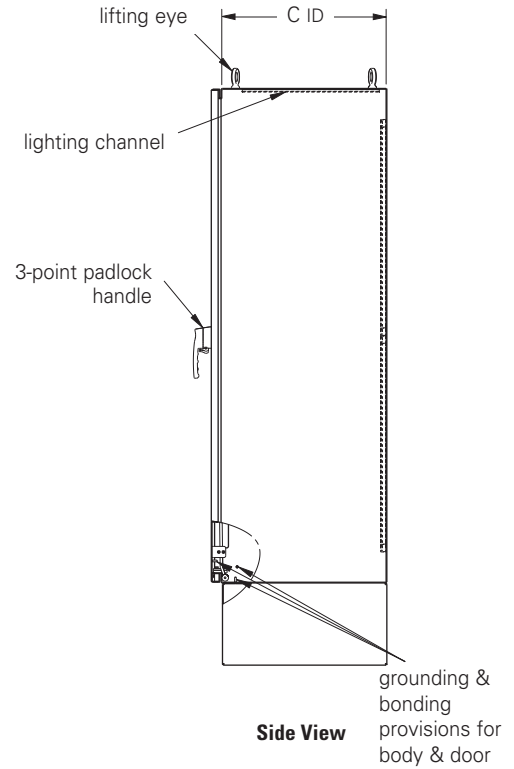
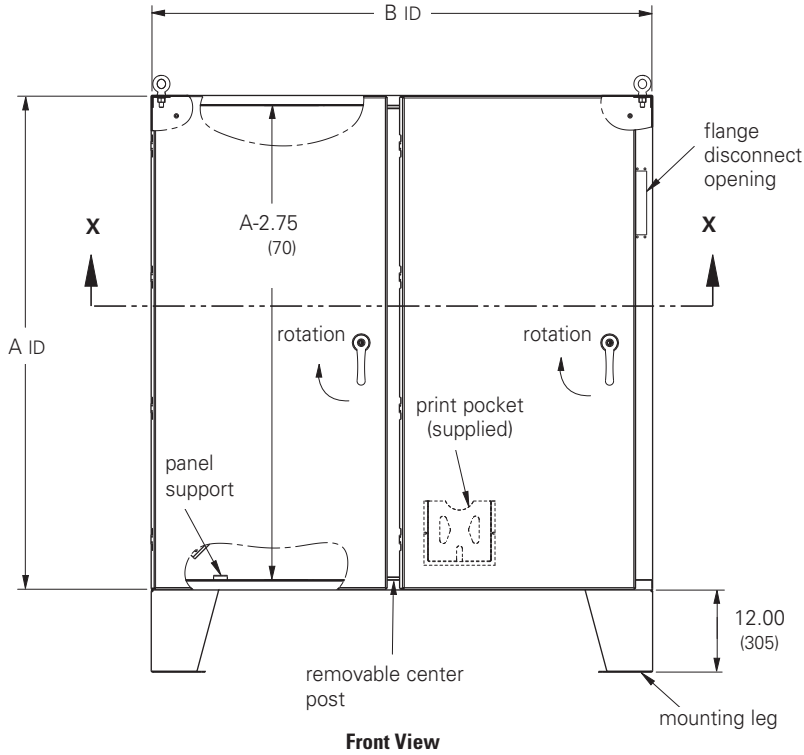
**Notes:** Dimensions are in inches. Millimeters shown are for reference only. Data subject to change without notice.

# Disconnect Enclosures

## Ground-Mount Enclosures Type 12 Center & Flange-Mount Floor-Standing with 3-Point Locking Illustration Sheet

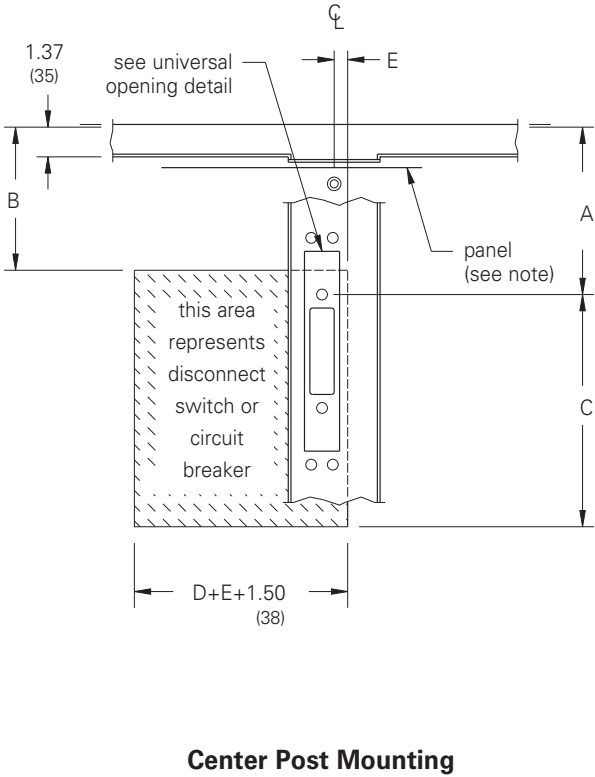
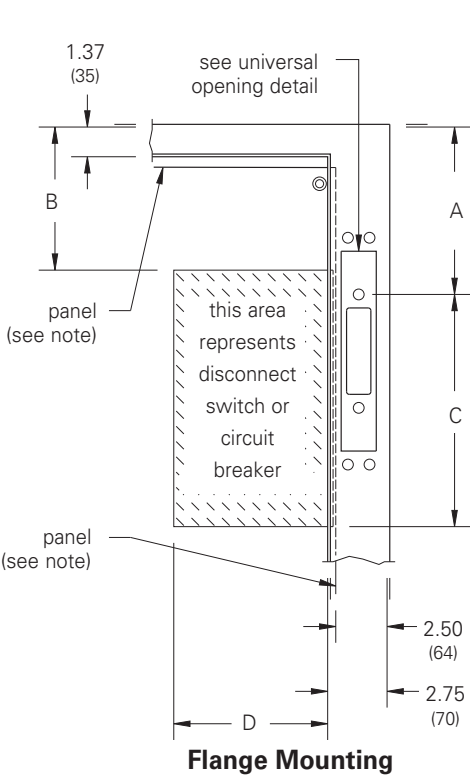
Disconnect Encl.

ID = Inside Dimension



**Notes:** Dimensions are in inches. Millimeters shown are for reference only. Data subject to change without notice.  
Two lifting eyes are furnished when C dimension is 24" (610 mm) or less.

## Ground-Mount Enclosures Type 12 Center & Flange-Mount Floor-Standing with 3-Point Locking Illustration Sheet



The dimensional information provided in these drawings is derived from information supplied by the manufacturer of the equipment to be installed. Fit and function of all equipment should be checked before and after installation to assure proper and safe operation and compliance with the applicable regulations, codes and standards.

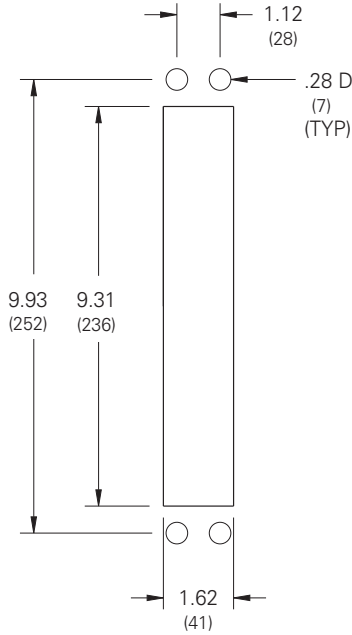
**Universal opening must be filled with an operator adapter kit for the specific brand and type of disconnect being used, (see page 451).**

### Important Note

**When ordering flange or center-mounted disconnect enclosures, be sure to include all the necessary components.**

1. A flange or center-mounted enclosure
2. A panel (optional)
3. Operator adapter plates **MUST** be ordered for the specific brand and type of disconnect being used, (see page 451)

Disconnect switch (or circuit breaker), operating handle and operating mechanism are not furnished with enclosure, see disconnect ordering information, pages 312 - 319.



**Notes:** Refer to disconnect tables for associated dimensions. Panels are ordered separately. Refer to catalog table for size and ordering information. Dimensions are in inches. Millimeters shown are for reference only. Data subject to change without notice.

Disconnect Encl.