

LittleGIANT®

HVAC PRODUCT CATALOG

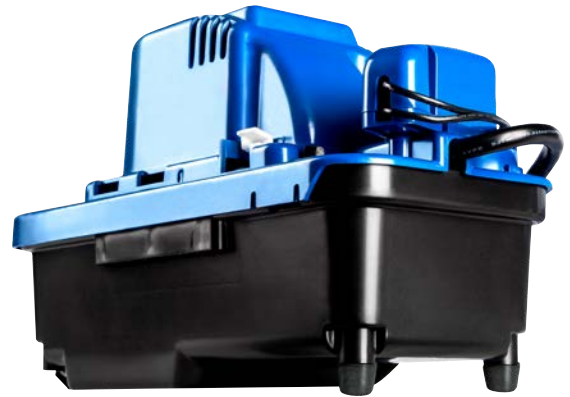


BRAND KNOWN

Little Giant has always been the frontrunner in condensate removal pump design. With the widest range of centrifugal tank pumps and over 75 years of history in commercial pumps and pump systems, Little Giant is the most powerful name in air conditioning, heating and refrigeration condensate removal and is recognized worldwide for its quality and reliable products. Little Giant is also known as the brand to use for condensate drain switches and evaporative cooler water pumps. Little Giant HVAC/R products live up to the Franklin Electric's Key Factors for Success - Quality, Availability, Service, Innovation, Cost.

VCMX – NXTGEN MODELS

Save time and money - The VCMX-20 is the easiest condensate pump to install and service plus has the highest reliability in the industry. Product reliability is important because it greatly reduces call backs and continues to save you money after the installation. More contractors choose Little Giant condensate pumps than any other brand for these reasons. From the external test switch to easy-to-mount bracket to the quick, twist-off discharge adapter; VCMX does it all. Contractors not only want a quality product with reliability but also a product they can install with confidence. VCMX-20, available with many optional features, is a versatile, compact pump designed to efficiently pump away condensate for installed in the basement, attached to the side of air conditioning equipment or installed in the ceiling.



VCC-20-P SERIES FOR PLENUM APPLICATIONS

Conforms to commercial building codes - Whether the condensate producing equipment is installed in a commercial building ceiling or under a raised floor, building codes today require a pump that is designed for Plenum Use. VCC-20-P is the ideal product for this job as it meets UL 2043 Standard: "Fire Test for Heat and Visible Smoke Release of Discrete Products and Their Accessories Installed in Air Handling Space." With its low tank height (designed to fit beneath low hanging condensate producing equipment drain outlet) and special thermoplastic material construction, the conduit ready, hardwired VCC-20-P is the right pump for the job.



EC-1-DV AND EC-1-DV-K SERIES – MINI-SPLIT

Quiet and easy to install and maintain - Need a mini split condensate that works on any voltage? The Little Giant EC-1-DV Series is the one to choose. The all new EC-1-DV mini pump for ductless mini split or fan-coil equipment meets the demanding requirements for wall mount equipment that may require 115V, 208V or 230V. One model automatically adjusts to the voltage input and delivers smooth, quiet yet powerful pumping performance. With super reliable, automatic water level sensing design with clear collection tank and all the mounting brackets and hardware required, EC-1-DV is the pump to use. EC-1-K-DV includes EC-1-DV pump and line set cover with an easy-to-access pump compartment for "on-the-wall" mounting of the EC-1-DV pump adjacent to the air handler to "hide" the pump and the line set.



TABLE OF CONTENTS

VCMX2
VCMA-15 Series4
VCMA-20 Series6
VCL-14 Series8
VCL-24UJLS Series10
VCL-45UJLS Series12
VCCA-20-P Series14
VCCA-20UJLS Series16
HT-VCL-P Series18
1-ABS Series20
3-ABS Series22
EC-1-DV Series24
EC-1K-DV Series26
CP Series28
RIM-U Series30
ACS-2 & 3 IN-PAN Condensate Overflow Detection Switches32
ACS-4 Series34
ACS-5 Series36
Accessories38
Additional Check Valves39

For the most up-to-date product information, visit littlegiant.com.

VCMX

APPLICATIONS

- Designed for automatic collection and removal of condensate from air conditioning, refrigeration and dehumidification equipment when gravity drainage is not possible or practical. Also suitable for high efficiency oil and gas-fired condensing furnace and condensing boiler equipment.

FEATURES

- External test/run lever
- Slim footprint
- Vertical centrifugal pump design
- Stainless steel motor shaft
- Automatic start and stop operation
- Galvanized steel “quick install” wall mount bracket
- Some models equipped with external, float activated switch for automatic high-level water detection (overflow detection switch)
- For models with overflow detection switch: dual function NO and NC operation (set to NO from factory for equipment shut down connection)
- Models equipped with overflow detection switch include two 5” switch lead wires
- 3/8” O.D. barbed ¼-turn quick release, locking discharge adapter with built-in check valve
- Rubber feet for vibration/noise dampening
- “Anti-sweat” tank sleeve included on select models and available separately for all others
- 3 - 1-1/8” diameter inlet openings, two fitted with removable cap plug (3 + 1 inlet openings for models without overflow detection switch)
- Recessed tank sump
- Oil resistant tank and check valve
- Thermally protected, fan cooled motor
- Maximum water temperature: 140 °F
- 6’, 3-conductor cable with grounded 3-prong plug
- Some models include 20’ x 3/8” I.D. vinyl discharge tubing
- 3-year warranty



VCMX-20ULS



VCMX-20ULST



VCMX-20UL



VCMX-20ULS-C



SERIES SPECIFICATIONS

NXTGEN™

Item No.	Model	HP	Input Voltage	Hz	Amps	Watts	Discharge Size	Check Valve	Overflow Detection Switch	Performance GPH (LPH) @ Head					Shut-Off Ft.	PSI	Cord	Weight (lbs)
										1'	5'	10'	15'	20'				
554520	VCMX-20UL	1/30	115	60	1.5	93	3/8" (9.5 mm)	3/8" (9.5 mm)	No	84 (318.4)	75 (284.3)	60 (227.4)	42 (159.2)	10 (37.9)	21 (6.4 m)	9.1	6' (1.8 m)	5.5 (2.5 Kg)
554521	VCMX-20UL	1/30	230	50/60	0.7/0.6	75	3/8" (9.5 mm)	3/8" (9.5 mm)	No	78 (295.6)	67 (253.9)	51 (193.3)	29 (109.9)	0 (0)	20 (6.1 m)	8.2	6' (1.8 m)	5.5 (2.5 Kg)
554530	VCMX-20ULS	1/30	115	60	1.5	93	3/8" (9.5 mm)	3/8" (9.5 mm)	Yes	84 (318.4)	75 (284.3)	60 (227.4)	42 (159.2)	10 (37.9)	21 (6.4 m)	9.1	6' (1.8 m)	5.5 (2.5 Kg)
554531	VCMX-20ULS	1/30	230	50/60	0.7/0.6	75	3/8" (9.5 mm)	3/8" (9.5 mm)	Yes	78 (295.6)	67 (253.9)	51 (193.3)	29 (109.9)	0 (0)	20 (6.1 m)	8.2	6' (1.8 m)	5.5 (2.5 Kg)

NXTGEN™ with Tubing

Item No.	Model	HP	Input Voltage	Hz	Amps	Watts	Discharge Size	Check Valve	Overflow Detection Switch	Performance GPH (LPH) @ Head					Shut-Off Ft.	PSI	Cord	Weight (lbs)
										1'	5'	10'	15'	20'				
554550	VCMX-20ULST	1/30	115	60	1.5	93	3/8" (9.5 mm)	3/8" (9.5 mm)	Yes	84 (318.4)	75 (284.3)	60 (227.4)	42 (159.2)	10 (37.9)	21 (6.4 m)	9.1	6' (1.8 m)	5.5 (2.5 Kg)
554551	VCMX-20ULST	1/30	230	50/60	0.7/0.6	75	3/8" (9.5 mm)	3/8" (9.5 mm)	Yes	80 (303.2)	69 (261.5)	54 (204.7)	36 (136.4)	0 (0)	20 (6.1 m)	8.2	6' (1.8 m)	5.5 (2.5 Kg)

NXTGEN™ with Anti-Sweat Sleeve

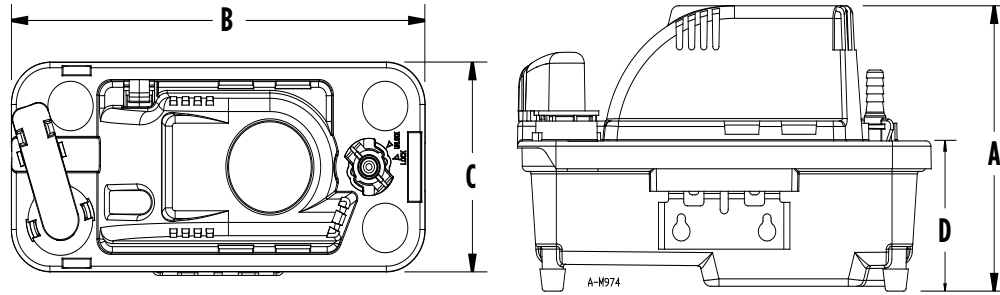
Item No.	Model	HP	Input Voltage	Hz	Amps	Watts	Discharge Size	Check Valve	Overflow Detection Switch	Performance GPH (LPH) @ Head					Shut-Off Ft.	PSI	Cord	Weight (lbs)
										1'	5'	10'	15'	20'				
554542	VCMX-20ULS-C	1/30	115	60	1.5	93	3/8" (9.5 mm)	3/8" (9.5 mm)	Yes	84 (318.4)	75 (284.3)	60 (227.4)	42 (159.2)	10 (37.9)	21 (6.4 m)	9.1	6' (1.8 m)	5.5 (2.5 Kg)

VCMX

REPLACEMENT PARTS & KITS

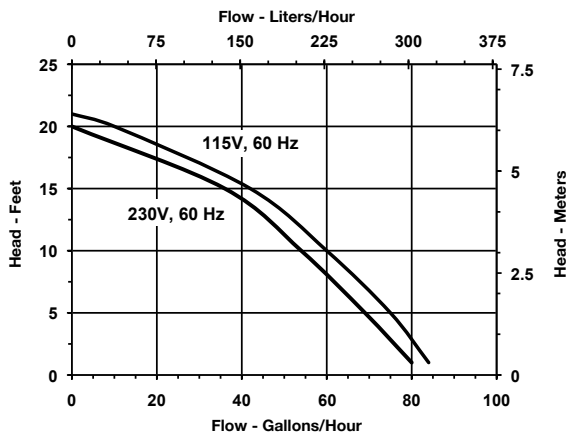
Item	Part Number
Tank	154390
Feet, Rubber (4 pack 554520, 554530, 554550, 554551, 554521, 554531)	925047
Cover, Motor	154425
Overflow Detection Switch Assembly (554530, 554550, 554551, 554542, 554531)	599136
Anti-sweat Sleeve and Bracket (554542)	599138
Bracket, Tank (554520, 554530, 554550, 554551, 554521, 554531)	154483

ENGINEERING DATA



Model	A	B	C	D
VCMX-20UL	6.5" (165.1mm)	10.2" (259.1 mm)	4.8" (121.9 mm)	3.4" (86.4 mm)
VCMX-20ULS	6.5" (165.1mm)	10.2" (259.1 mm)	4.8" (121.9 mm)	3.4" (86.4 mm)
VCMX-20ULST	6.5" (165.1mm)	10.2" (259.1 mm)	4.8" (121.9 mm)	3.4" (86.4 mm)
VCMX-20ULS-C	6.8" (172.7mm)	10.3" (261.6 mm)	5.1" (129.5 mm)	3.4" (86.4 mm)

PERFORMANCE DATA



CONSTRUCTION

Housing/Tank Cover	ABS
Motor Cover	ABS
Volute	ABS
Tank	Polypropylene
Impeller	Polypropylene
Switch Float	ABS
Check Valve	Acetal

VCMA-15 SERIES

APPLICATIONS

- Designed for automatic collection and removal of condensate from air conditioning, refrigeration and dehumidification equipment when gravity drainage is not possible or practical. Also, suitable for high efficiency oil and gas-fired condensing furnace and condensing boiler equipment.

FEATURES

- 1/2-gallon collection tank
- Vertical centrifugal pump design
- Stainless steel motor shaft
- Automatic start and stop operation
- Some models equipped with float (solid polymer) activated switch for automatic high-level water detection (overflow detection switch)
- For models with overflow detection switch: dual function NO and NC operation (set to NO from factory for equipment shut down connection)
- Models equipped with overflow detection switch include two 5" switch lead wires
- 3/8" O.D. barbed discharge adapter with built-in check valve
- Three 1-1/8" diameter inlet openings (two fitted with removable cap plug)
- Thermally protected, fan cooled motor
- Built-in wall mount tabs on tank
- Removable pump float locking tab for safety during transportation (remove at time of installation)
- Maximum water temperature: 140 °F
- 6 ft, 3-conductor cable with grounded 3-prong plug
- Some models include 20' x 3/8" I.D. vinyl discharge tubing



SERIES SPECIFICATIONS

Item No.	Model	HP	Input Voltage	Hz	Amps	Watts	Discharge Size	Performance GPH (LPH) @ Head				Shut-Off Ft.	PSI	Cord	Weight (lbs)
								1'	5'	10'	20'				
554401	VCMA-15UL	1/50	115	60	1	60	3/8" (9.5 mm) OD Barbed	65 (246.4)	50 (189.5)	25 (94.8)	0 (0)	15 (4.6 m)	6.5	6 (1.8 m)	4.4 (2 kg)
554411	VCMA-15ULT	1/50	115	60	1	60	3/8" (9.5 mm) OD Barbed	65 (246.4)	50 (189.5)	25 (94.8)	0 (0)	15 (4.6 m)	6.5	6 (1.8 m)	5.8 (2.6 Kg)
554405	VCMA-15ULS	1/50	115	60	1	60	3/8" (9.5 mm) OD Barbed	65 (246.4)	50 (189.5)	25 (94.8)	0 (0)	15 (4.6 m)	6.5	6 (1.8 m)	4.4 (2 kg)
554415	VCMA-15ULST	1/50	115	60	1	60	3/8" (9.5 mm) OD Barbed	65 (246.4)	50 (189.5)	25 (94.8)	0 (0)	15 (4.6 m)	6.5	6 (1.8 m)	5.8 (2.6 Kg)

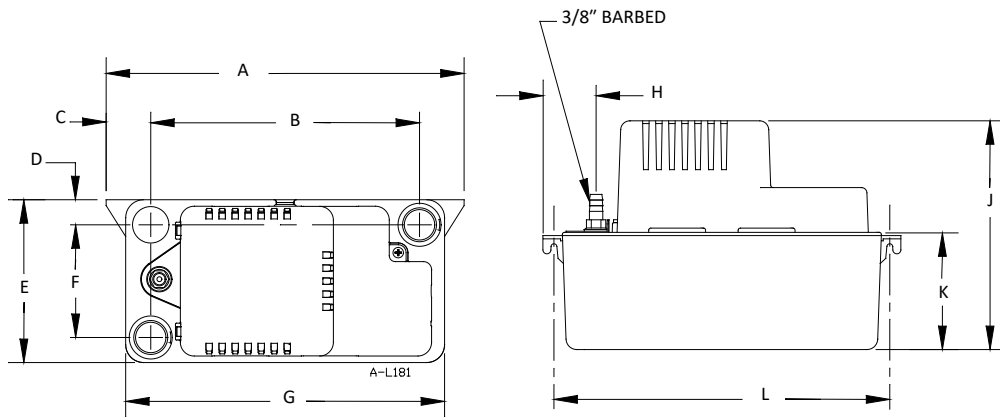
Note: GPH is through check valve.

VCMA-15 SERIES

REPLACEMENT PARTS & KITS

Item	Part Number
Tank	154401
Cover, Motor	154421
Float Arm	154452
Switch Holder	154471
Switch	950337
Check Valve	154715

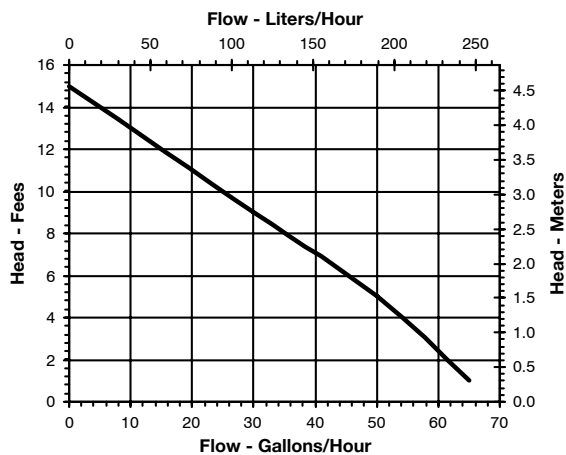
ENGINEERING DATA



A	B	C	D	E	F	G	H	J	K	L
11 (279.4)	8.3 (210.82)	1.4 (35.56)	0.8 (20.32)	5 (127)	3.5 (88.9)	9.8 (248.92)	1.6 (400.64)	7 (177.8)	3.6 (91.4)	10.3 (261.6)

PERFORMANCE DATA

115 V, 60 HZ



CONSTRUCTION

Motor	1/50 hp
Discharge	3/8" OD barbed
Housing/Tank Cover	ABS
Motor Cover	ABS
Volute	ABS
Tank	ABS
Impeller	Glass filled polypropylene
Check Valve	Acetal

VCMA-20 SERIES

APPLICATIONS

- Designed for automatic collection and removal of condensate from air conditioning, refrigeration and dehumidification equipment when gravity drainage is not possible or practical. Also, suitable for high efficiency oil and gas-fired condensing furnace and condensing boiler equipment.

FEATURES

- 1/2-gallon collection tank
- Vertical centrifugal pump design
- Stainless steel motor shaft
- Automatic start and stop operation
- Some models equipped with float (solid polymer) activated switch for automatic high-level water detection (overflow detection switch)
- For models with overflow detection switch: dual function NO and NC operation (set to NO from factory for equipment shut down connection)
- Models equipped with overflow detection switch include two 5" switch lead wires
- 3/8" O.D. barbed discharge adapter with built-in check valve
- Three 1-1/8" diameter inlet openings (two fitted with removable cap plug)
- Thermally protected, fan cooled motor
- Built-in wall mount tabs on tank
- Removable pump float locking tab for safety during transportation (remove at time of installation)
- Maximum water temperature: 140 °F
- 6 ft, 3-conductor cable with grounded 3-prong plug
- Some models include 20' x 3/8" I.D. vinyl discharge tubing



SERIES SPECIFICATIONS

Item No.	Model	HP	Input Voltage	Hz	Amps	Watts	Discharge Size	Performance GPH (LPH) @ Head				Shut-Off Ft.	PSI	Cord	Weight (lbs)
								1'	5'	10'	20'				
554421	VCMA-20UL	1/30	115	60	1.5	93	3/8" (9.5mm) OD Barbed	80 (303.2)	70 (265.3)	48 (181.9)	0 (0)	20 (6.1 m)	8.7	6 (1.8 m)	5 (2.3 Kg)
554451	VCMA-20UL	1/30	230	50/60	0.5	75	3/8" (9.5mm) OD Barbed	80 (303.2)	70 (265.3)	48 (181.9)	0 (0)	17 (5.2 m)	7.4	6 (1.8 m)	5 (2.3 Kg)
554431	VCMA-20ULT	1/30	115	60	1.5	93	3/8" (9.5mm) OD Barbed	80 (303.2)	70 (265.3)	48 (181.9)	0 (0)	20 (6.1 m)	8.7	6 (1.8 m)	6 (2.7 Kg)
554425	VCMA-20ULS	1/30	115	60	1.5	93	3/8" (9.5mm) OD Barbed	80 (303.2)	70 (265.3)	48 (181.9)	0 (0)	20 (6.1 m)	8.7	6 (1.8 m)	5 (2.3 Kg)
554455	VCMA-20ULS	1/30	230	50/60	0.5	75	3/8" (9.5mm) OD Barbed	80 (303.2)	70 (265.3)	48 (181.9)	0 (0)	17 (5.2 m)	7.4	6 (1.8 m)	5 (2.3 Kg)
554435	VCMA-20ULST	1/30	115	60	1.5	93	3/8" (9.5mm) OD Barbed	80 (303.2)	70 (265.3)	48 (181.9)	0 (0)	20 (6.1 m)	8.7	6 (1.8 m)	6.3 (2.9 Kg)
554461	VCMA-20ULST	1/30	230	60	0.5	75	3/8" (9.5mm) OD Barbed	80 (303.2)	70 (265.3)	48 (181.9)	0 (0)	17 (5.2 m)	7.4	6 (1.8 m)	6.3 (2.9 Kg)

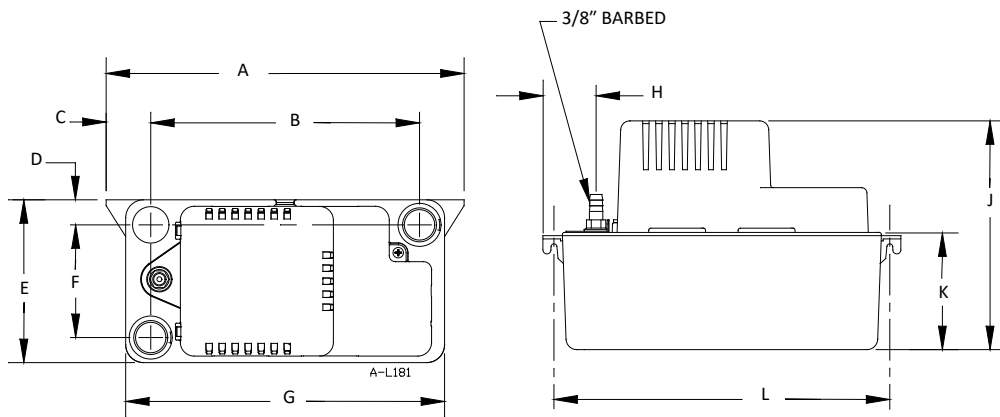
Note: GPH is through check valve.

VCMA-20 SERIES

REPLACEMENT PARTS & KITS

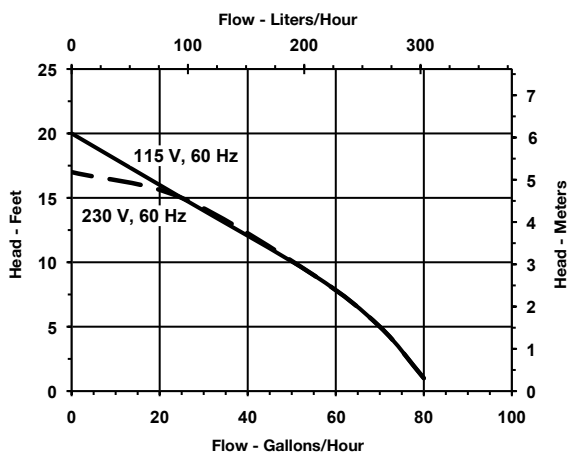
Item	Part Number
Tank	154401
Cover, Motor	154421
Float Arm	154452
Switch Holder	154471
Switch	950337

ENGINEERING DATA



A	B	C	D	E	F	G	H	J	K	L
11 (279.4)	8.3 (210.82)	1.4 (35.56)	0.8 (20.32)	5 (127)	3.5 (88.9)	9.8 (248.92)	1.6 (400.64)	7 (177.8)	3.6 (91.4)	10.3 (261.6)

PERFORMANCE DATA



CONSTRUCTION

Motor	1/30 hp
Discharge	3/8" OD barbed
Housing/Tank Cover	ABS
Volute	ABS
Tank	ABS
Impeller	Glass filled polypropylene
Check Valve	Acetal

VCL-14 SERIES

APPLICATIONS

- Designed for automatic collection and removal of condensate from air conditioning, refrigeration and dehumidification equipment when gravity drainage is not possible or practical. Also, suitable for high efficiency oil and gas-fired condensing furnace and condensing boiler equipment.

FEATURES

- 1 gallon collection tank
- 1/50 hp, fan cooled, concentric motor
- Vertical centrifugal pump design
- Stainless steel motor shaft
- Automatic start and stop operation
- Includes float (solid polymer) activated switch for automatic high-level water detection (overflow detection switch)
- Overflow detection switch: dual function NO and NC operation (set to NO from factory for equipment shut down connection)
- Overflow detection switch includes two 5" switch lead wires
- 3/8" barbed discharge adapter (for use with 3/8" I.D. vinyl tubing)*
- *Optional check valve adapter for 3/8" vinyl tubing sold separately (Part Number 599065)
- *Optional check valve for 3/8" copper tube sold separately (Part Number 599063)
- Two 1-1/8" diameter inlet openings
- Thermally protected
- Maximum water temperature: 120 °F
- 6 ft, 3-conductor cable with grounded 3-prong plug



SERIES SPECIFICATIONS

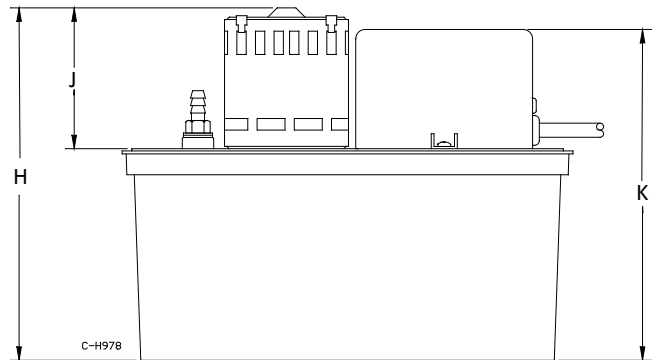
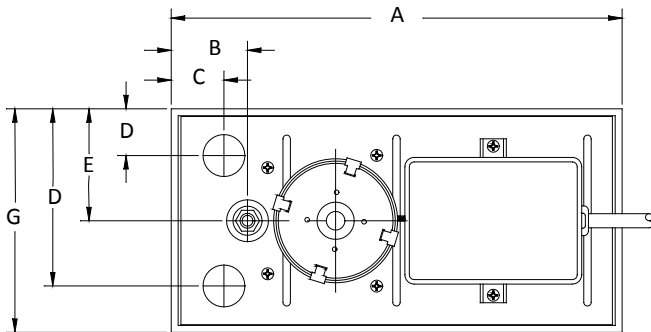
Item No.	Model	HP	Input Voltage	Hz	Amps	Watts	Discharge Size	Performance GPH (LPH) @ Head				Shut-Off Ft.	PSI	Cord	Weight (lbs)
								1'	3'	5'	10'				
553101	VCL-14ULS	1/50	115	60	1.0	78	3/8" (9.5 mm) OD Barbed	200 (758)	185 (701)	170 (644.3)	125 (473.8)	14 (4.3 m)	6.1	6 (1.8 m)	6.8 (3.08 Kg)

VCL-14 SERIES

REPLACEMENT PARTS & KITS

Item	Part Number
Tank	153502
Cover, Volute	153110
Impeller	153132
Adapter, 3/8"	153300
Seal Ring	924038
Switch, Pump	950337
Overflow Detection Switch	950333

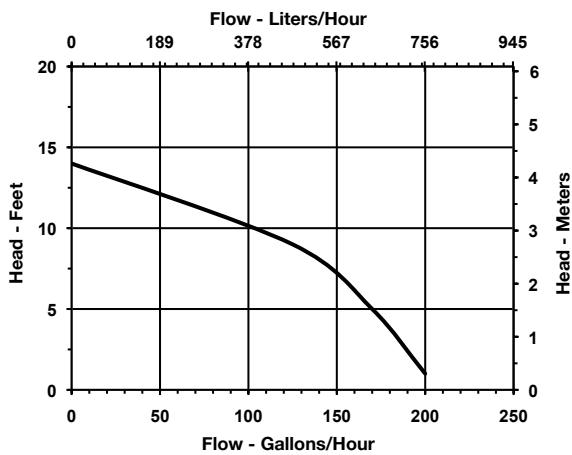
ENGINEERING DATA



A	B	C	D	E	F	G	H	J	K
12.1 (307.34)	2.04 (51.82)	1.4 (35.56)	1.25 (31.75)	3 (76.2)	4.75 (120.65)	6 (152.4)	9.46 (240.28)	3.78 (96.01)	8.88 (225.55)

PERFORMANCE DATA

115 V, 60 HZ



CONSTRUCTION

Motor	1/50 hp
Discharge	3/8" OD barbed
Pump Housing	ABS
Switch Housing	ABS
Tank	ABS
Tank Cover	Galvanized Steel
Motor Shaft	Stainless Steel
Impeller	Polypropylene
Discharge Adapter	Acetal

VCL-24ULS SERIES

APPLICATIONS

- Designed for automatic collection and removal of condensate from air conditioning, refrigeration and dehumidification equipment when gravity drainage is not possible or practical. Also, suitable for high efficiency oil and gas-fired condensing furnace and condensing boiler equipment.

FEATURES

- 1 gallon collection tank
- Vertical centrifugal pump design
- 1/18 hp, fan cooled, concentric motor
- Stainless steel motor shaft
- Automatic start and stop operation
- Includes float (solid polymer) activated switch for automatic high-level water detection (overflow detection switch)
- Overflow detection switch: dual function NO and NC operation (set to NO from factory for equipment shut down connection)
- Overflow detection switch includes two 5" switch lead wires
- 3/8" barbed discharge adapter (for use with 3/8" I.D. vinyl tubing)* installed
- *Optional check valve adapter for 3/8" vinyl tubing included in box
- *Optional check valve for 3/8" O.D. copper tube sold separately (Part Number 599063)
- Two 1-1/8" diameter inlet openings
- Thermally protected, fan cooled motor
- Maximum water temperature: 120 °F
- 6 ft, 3-conductor cable with grounded 3-prong plug



SERIES SPECIFICATIONS

Item No.	Model	HP	Input Voltage	Hz	Amps	Watts	Discharge Size	Performance GPH (LPH) @ Head				Shut-Off Ft.	PSI	Cord	Weight (lbs)
								1'	3'	5'	9'				
553201	VCL-24ULS	1/18	115	60	2.5	148	1/4" FNPT x 3/8" (9.5 mm) OD Barbed	270 (1023.3)	260 (985.4)	250 (947.5)	210 (796)	24 (7.3 m)	10.4	6 (1.8 m)	8.2 (3.7 Kg)
553211	VCL-24ULS	1/18	230	50/60	1.2	148	1/4" FNPT x 3/8" (9.5 mm) OD Barbed	270 (1023.3)	260 (985.4)	250 (947.5)	210 (796)	24 (7.3 m)	10.4	6 (1.8 m)	8.2 (3.7 Kg)

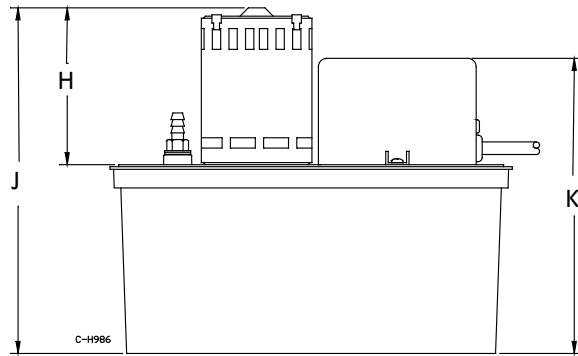
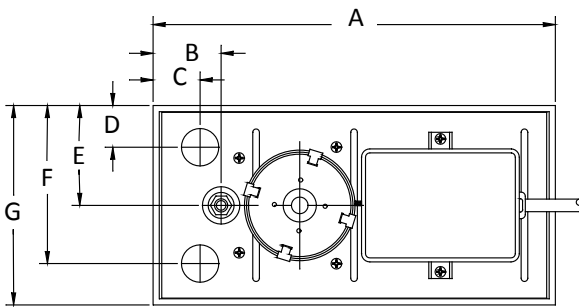
Note: 3/8" ID x 20 ft. tubing

VCL-24ULS SERIES

REPLACEMENT PARTS & KITS

Item	Part Number
Tank	153502
Cover, Volute	153110
Impeller	153131
Adapter, 3/8"	153300
Seal Ring	924038
Switch, Pump	950337
Overflow Detection Switch	950333

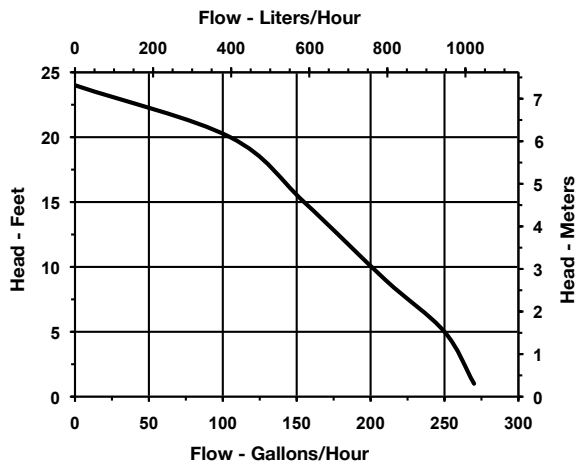
ENGINEERING DATA



A	B	C	D	E	F	G	H	J	K
12.11 (307.59)	2.04 (51.82)	1 (25.4)	1.25 (31.75)	3 (76.2)	4.75 (120.65)	6 (152.4)	4.72 (119.89)	10.4 (264.16)	8.88 (225.55)

PERFORMANCE DATA

115 V AND 230 V, 60 HZ



CONSTRUCTION

Pump Housing	ABS
Switch Housing	ABS
Tank	ABS
Tank Cover	Galvanized Steel
Motor Shaft	Stainless Steel
Impeller	Polypropylene
Discharge Adapter	Acetal

VCL-45ULS SERIES

APPLICATIONS

- Designed for automatic collection and removal of condensate from air conditioning, refrigeration and dehumidification equipment when gravity drainage is not possible or practical. Also, suitable for high efficiency oil and gas-fired condensing furnace and condensing boiler equipment.

FEATURES

- 1 gallon collection tank
- Vertical centrifugal pump design
- 1/5 hp, fan cooled, PSC motor
- Stainless steel motor shaft
- Automatic start and stop operation
- Includes float (solid polymer) activated switch for automatic high-level water detection (overflow detection switch)
- Overflow detection switch: dual function NO and NC operation (set to NO from factory for equipment shut down connection)
- Overflow detection switch includes two 5" switch lead wires
- 3/8" O.D. copper tubing discharge
- *Optional check valve adapter for 3/8" O.D. copper tubing/3/8" I.D. vinyl tubing sold separately (Part Number 599064)
- 1-1/8" diameter inlet opening
- Thermally protected motor
- Maximum water temperature: 120 °F
- 6 ft, 3-conductor cable with grounded 3-prong plug



SERIES SPECIFICATIONS

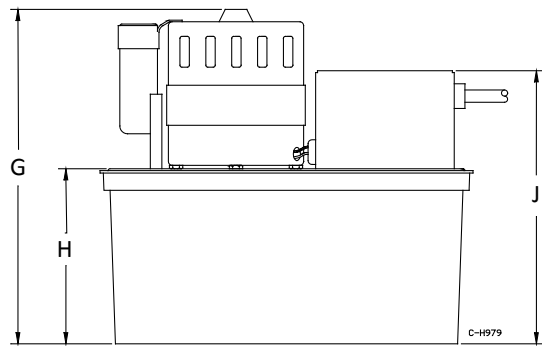
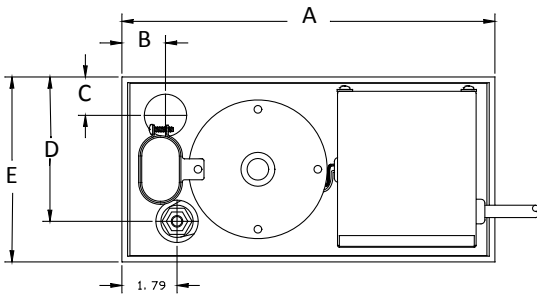
Item No.	Model	HP	Input Voltage	Hz	Amps	Watts	Discharge Size	Performance GPH (LPH) @ Head					Shut-Off Ft.	PSI	Cord	Weight (lbs)
								1'	3'	5'	9'	15'				
553240	VCL-45ULS	1/5	115	60	3.5	185	3/8" (9.5 mm) OD Copper	450 (1705.5)	445 (1686.6)	440 (1667.6)	415 (1572.9)	380 (1440.2)	45 (13.7 m)	19.5	6 (1.8 m)	13 (5.9 Kg)
553245	VCL-45ULS	1/5	230	50/60	1.0	250	3/8" (9.5 mm) OD Copper	450 (1705.5)	445 (1686.6)	440 (1667.6)	415 (1572.9)	380 (1440.2)	45 (13.7 m)	19.5	6 (1.8 m)	14 (6.4 Kg)

VCL-45ULS SERIES

REPLACEMENT PARTS & KITS

Item	Part Number
Tank	153502
Cover, Switch Assy.	153537
Seal Ring	928025
Impeller	153520
Switch, Pump	950337
Overflow Detection Switch	950333

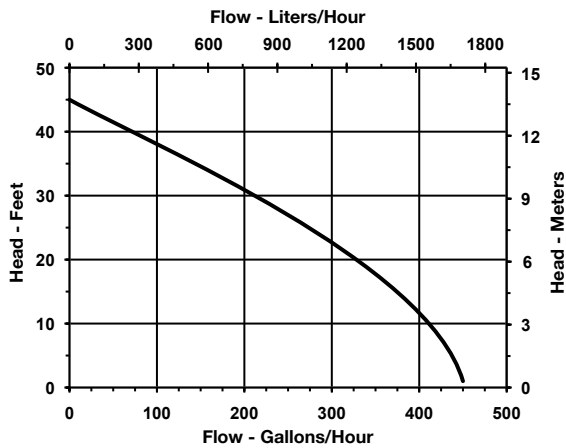
ENGINEERING DATA



A	B	C	D	E	F	G	H	J
12.11 (307.59)	1.42 (36.07)	1.24 (31.50)	4.68 (118.87)	6 (152.4)	1.79 (45.47)	10.85 (275.59)	5.68 (144.27)	8.86 (225.04)

PERFORMANCE DATA

115 V AND 230 V, 60 HZ



CONSTRUCTION

Pump Housing	ABS
Switch Housing	ABS
Tank	ABS
Tank Cover	Galvanized Steel
Motor Shaft	Stainless Steel
Impeller	Polypropylene
Discharge	3/8" copper tube

VCCA-20-P SERIES

APPLICATIONS

- Designed for automatic collection and removal of condensate from air conditioning, refrigeration, and dehumidification equipment when gravity drainage is not possible or practical. The VCCA Series' low tank height allows these condensate pumps to be used where other condensate pumps will not fit.
- Suitable for plenum applications as it is constructed with materials that have been tested by and meet Underwriter's Laboratories' Standard 2043 "Fire Test for Heat and Visible Smoke Release for Discrete Products and their Accessories Installed in Air Handling Spaces".



FEATURES

- The pump is labeled "suitable for use in air handling spaces"
- 1/30 hp motor
- Low profile for limited space applications
- 72" 3-conductor lead wires with adjustable conduit fitting for 1/2" diameter flexible metal conduit
- 1/4-turn, twist-off locking check valve discharge adapter for 3/8" ID tubing
- Additional check valve included for 3/8" copper tubing
- Pump switch test lever (for manual test operation)
- Rubber feet on bottom of tank to isolate pump when placed on hard surface
- Three 1-1/8" diameter inlets
- Easy-to-knock-out plugs in two of the inlet openings
- Includes overflow detection switch with 72" leads
- Intermittent liquid temperature up to 140 °F
- Designed for hard-wire installation only
- Thermal overload protection
- Stainless steel motor shaft
- cCSAus

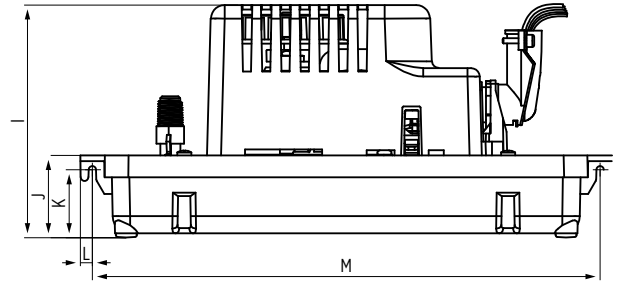
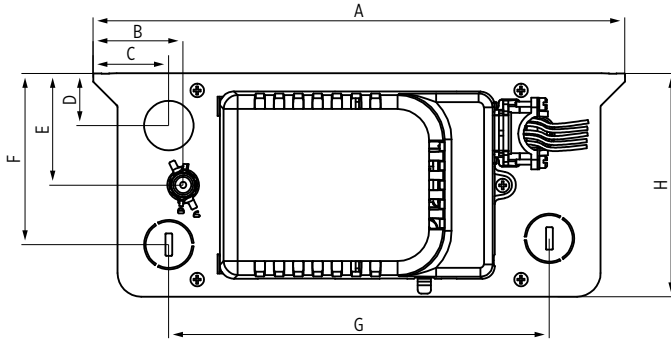
SERIES SPECIFICATIONS

Item No.	Model No.	HP	Input Voltage	Hz	Amps	Watts	Discharge Size	Performance GPH (LPH) @ Head*				Shut-Off (ft)	PSI	Cord (ft)	Weight (lbs)
								1'	5'	10'	18'				
554221101	VCCA-20-P	1/30	115	60	1.5	93	3/8" (9.5mm) OD Barded	80 (303)	70 (265)	45 (171)	10 (38)	20 (6.1m)	8.6	6 (1.8m)	4.5 (2.1 kg)
554222101	VCCA-20-P	1/30	230	50/60	0.6/0.5	75	3/8" (9.5mm) OD Barded	80 (303)	70 (265)	45 (171)	10 (38)	17 (5.2m)	7.4	6 (1.8m)	4.5 (2.1 kg)

Note: Flow rating is through check valve

VCCA-20-P SERIES

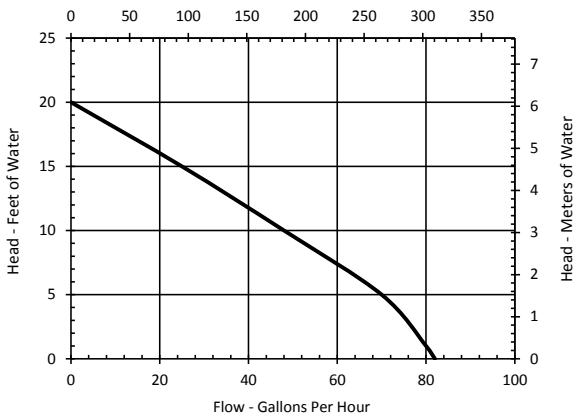
ENGINEERING DATA



A	B	C	D	E	F	G	H	I	J	K	L	M
11.99" (304.5 mm)	2.02" (51.4 mm)	1.70" (43.2 mm)	1.18" (30 mm)	2.52" (64 mm)	3.85" (98 mm)	8.57" (217.8 mm)	5.03" (127.7 mm)	5.24" (133.2 mm)	1.85" (47 mm)	1.52" (38.8 mm)	0.27" (6.9 mm)	290.6" (11.44 mm)

PERFORMANCE DATA

VCCA-20ULS/VCCA-20-P
115V and 230V, 60HZ
Flow - Liters Per Hour



CONSTRUCTION

Motor	1/30 hp
Discharge	3/8" O.D. barbed
Housing/Tank Cover	Polypropylene
Motor Cover	Polypropylene
Volute	Polypropylene
Tank	Polypropylene
Impeller	Polypropylene
Check Valve	Acetal

VCCA-20ULS SERIES

APPLICATIONS

- Designed for automatic collection and removal of condensate from air conditioning, refrigeration, and dehumidification equipment when gravity drainage is not possible or practical. The VCCA Series' low tank height allows these condensate pumps to be used where other condensate pumps will not fit.
- Suitable for high efficiency condensing furnace and boiler equipment applications.



FEATURES

- 1/30 hp motor
- Low profile for limited space applications
- 1/4-turn, twist-off locking check valve discharge adapter for 3/8" ID tubing
- Additional check valve adapter included for 1/4" ID vinyl tubing
- Pump switch test lever (for manual test operation)
- Rubber feet on bottom of tank to isolate pump when placed on hard surface
- 3 inlet openings suitable for 3/4" PVC pipe
- Easy-to-knock-out plugs in two of the inlet openings
- Includes overflow detection switch with 5" leads
- ABS tank, motor cover, and volute
- Intermittent liquid temperature up to 120 °F
- Stainless steel motor shaft
- Thermal overload protection
- cSAUS

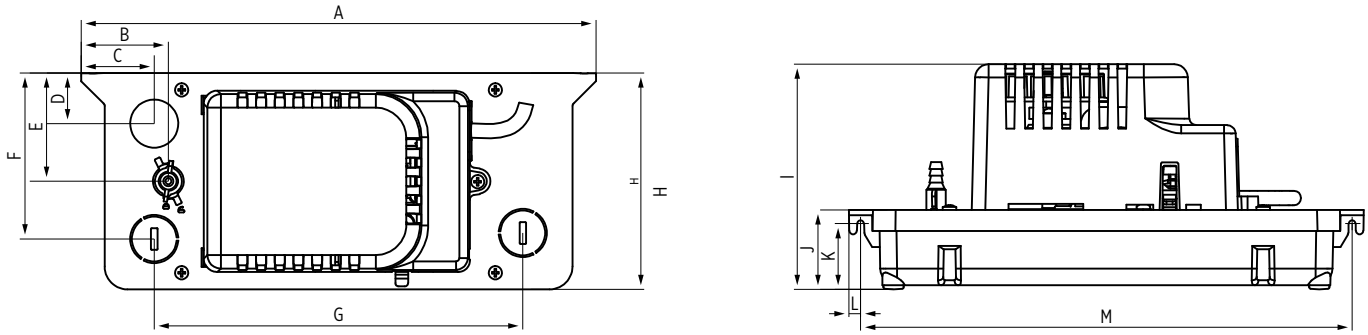
SERIES SPECIFICATIONS

Item No.	Model No.	HP	Input Voltage	Hz	Amps	Watts	Discharge Size	Performance GPH (LPH) @ Head*				Shut-Off (ft)	PSI	Cord (ft)	Weight (lbs)
								1'	5'	10'	18'				
554201101	VCCA-20ULS	1/30	115	60	1.5	93	3/8" (9.5mm) OD Barded	80 (303)	70 (265)	45 (171)	10 (38)	20 (6.1m)	8.6	6 (1.8m)	5.4 (2.5 kg)
554202101	VCCA-20ULS	1/30	230	50/60	0.6/0.5	75	3/8" (9.5mm) OD Barded	80 (303)	70 (265)	45 (171)	10 (38)	17 (5.2m)	7.4	6 (1.8m)	5.4 (2.5 kg)

Note: Flow rating is through check valve

VCCA-20ULS SERIES

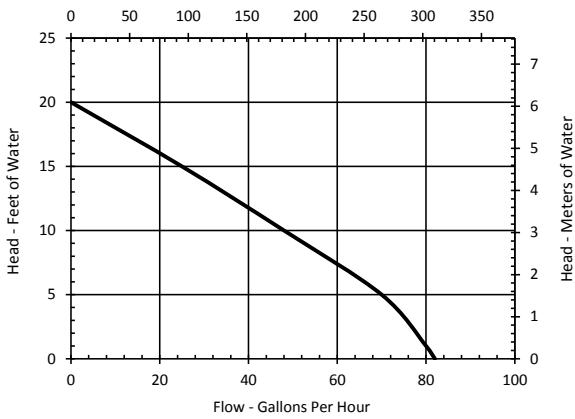
ENGINEERING DATA



A	B	C	D	E	F	G	H	I	J	K	L	M
11.96" (303.7 mm)	2.02" (51.4 mm)	1.70" (43.2 mm)	1.18" (30 mm)	2.52" (64 mm)	3.85" (98 mm)	8.55" (217.4 mm)	5.02" (127.6 mm)	5.23" (133 mm)	1.85" (47 mm)	1.52" (38.8 mm)	0.27" (6.9 mm)	290" (11.42 mm)

PERFORMANCE DATA

VCCA-20ULS/VCCA-20-P
115V and 230V, 60HZ
Flow - Liters Per Hour



CONSTRUCTION

Motor	1/30 hp
Discharge	3/8" O.D. barbed
Housing/Tank Cover	ABS
Motor Cover	ABS
Volute	ABS
Tank	ABS
Impeller	Polypropylene
Check Valve	Acetal

HT-VCL-P SERIES

APPLICATIONS

Little Giant, the global leader in HVAC Tank Condensate Pumps, has added a new family member to the condensate pump product line. Meet our new High-Temperature Condensate Pump, the HT-VCL Series, designed for plenum applications with the capability to handle the most difficult commercial applications.

- **LESS POWER REQUIRED:** Less draw on power at no sacrifice to performance versus competitive pumps
- **EASY INSTALLATION:** Uniquely constructed with an external pump switch test lever to ensure pump is functioning without the requirement of filling the tank
- **QUALITY YOU CAN BE CONFIDENT IN:** The manufacturer stands behind its products and included an extended two-year warranty that is rarely needed
- **FULLY SUPPORTED:** Comes fully supported by the industry's leading Technical Support professionals

FEATURES

- 1-gallon collection tank
- Maximum water temperature: 212 °F (100 °C)
- Suitable for plenum applications
- Stainless steel motor shaft
- 1.07" diameter inlet (with 0.69" diameter rubber grommet)
- Includes float-activated switch for automatic high-level water detection (overflow detection switch)
- 14' lead wires for power supply and overflow detection connection
- Includes adjustable right angle conduit fitting for use with flexible EMT
- Brass check valve with compression nut and ferrule for 3/8" copper tubing
- Compliant with UL 2043 standard
- Includes bottom inlet when drain outlet height is limited



HT-VCL-60-P

HT-VCL-30-P



SERIES SPECIFICATIONS

HT-VCL-30-P SERIES

Item No.	Volts	HP	Hz	Amps	Watts	Performance GPH (LPH) @ Head										Shut-Off	PSI
						5'	10'	15'	20'	25'	30'	40'	50'	60'			
553130101	115	1/8	60	1.4	134	350 (1325)	320 (1211)	275 (1041)	225 (852)	160 (227)	60 (227)	-	-	-	32' (9.1 m)	13.9 psi	
553130102	208-230			0.7	90												
553130104	277			0.6	81												

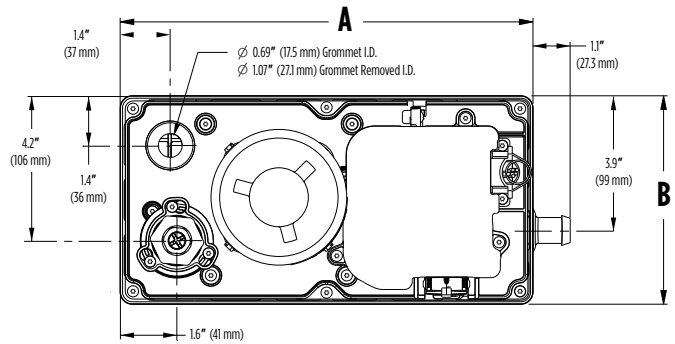
HT-VCL-60-P SERIES

Item No.	Volts	HP	Hz	Amps	Watts	Performance GPH (LPH) @ Head										Shut-Off	PSI
						5'	10'	15'	20'	25'	30'	40'	50'	60'			
553160101	115	1/3	60	3.5	292	575 (2176)	560 (2120)	530 (2006)	505 (1911)	478 (1809)	450 (1703)	375 (1419)	262 (992)	66 (250)	62' (18.3 m)	26.9 psi	
553160102	208-230			1.8	300												
553160104	380-460 1PH			1.0	300												

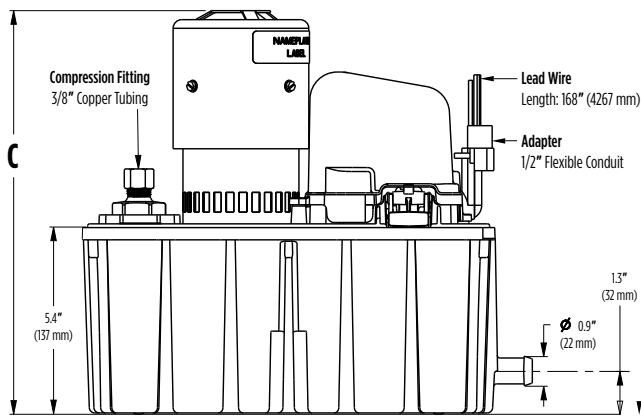
HT-VCL-P SERIES

ENGINEERING DATA

Model	A - Length	B - Width	C - Height	Weight
HT-VCL-30-P Series	12.0" 30.5 cm	6" 15.3 cm	10.2" 26 cm	9.5 lbs 4.3 kg
HT-VCL-60-P Series	12.0" 30.5 cm	6" 15.3 cm	11.7" 29.6 cm	12.5 lbs 5.7 kg



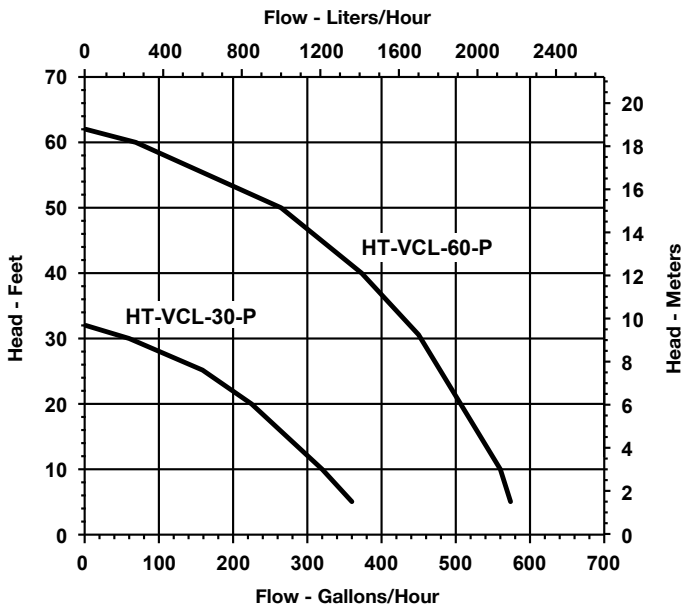
HT-VCL-60-P SERIES



HT-VCL-30-P SERIES



PERFORMANCE DATA



1-ABS SERIES

APPLICATIONS

- The 1-ABS offers low on and off levels and is ideal for in-pan placement for condensate removal. An integrated, unique float switch design assures reliability and security while providing easy access to the float for servicing.

FEATURES

- Permanently lubricated motor bearings require no maintenance during life of pump
- Oil-filled to maximize heat dissipation
- Epoxy-coated cast aluminum pump housing
- Automatic on-off operation
- Easy to remove float housing for servicing
- Includes removable inlet filter screen
- Includes 90° 1/4" MNPT adapter (suitable for 1/2" I.D. vinyl tubing)
- Low on and off level – turns on at 1-3/4" and off at 1-1/4" – will operate in most standard condensate drain pans
- Includes 9 ft power cord with molded plug (115 V versions)
- Item 550522 includes tank
- Suitable for intermittent water temperature up to 120 °F



SERIES SPECIFICATIONS

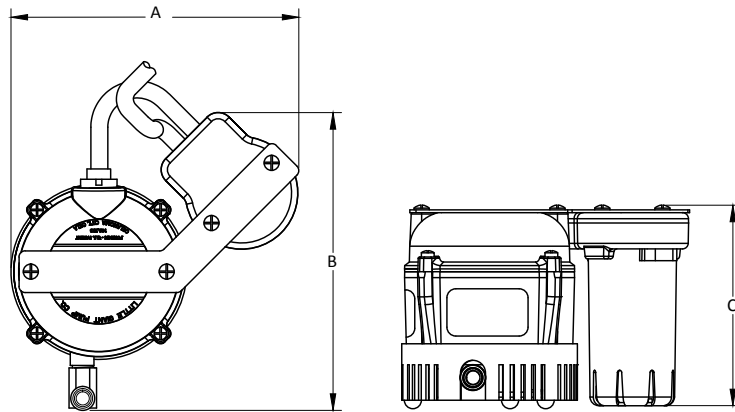
Item No.	Model	HP	Input Voltage	Hz	Amps	Watts	Discharge Size	Performance GPH (LPH) @ Head			Shut-Off Ft.	PSI	Cord	Weight (lbs)
								1'	3'	5'				
550521	1-ABS	1/150	115	60	1.1	70	1/4" MNPT	205 (777)	180 (682.2)	145 (549.6)	10' (3 m)	4.3	9' (2.7 m)	4.11 (1.86 Kg)
550532	1-ABS	1/150	230	50/60	0.6/0.5	70	1/4" MNPT	205 (777)	180 (682.2)	145 (549.6)	10' (3 m)	4.3	11' (3.4 m)	4.31 (1.95 Kg)
550522	1-ABS with tank	1/150	115	60	1.1	70	1/4" MNPT	205 (777)	180 (682.2)	145 (549.6)	10' (3 m)	4.3	9' (2.7 m)	4.35 (1.97 Kg)

1-ABS SERIES

REPLACEMENT PARTS & KITS

Item	Part Number
Volute	116375
Impeller	116437
Seal Ring	928007
Screen	101376
Tank	150102 (for 550552 only)
Float Replacement	950060
Float Screen	950284

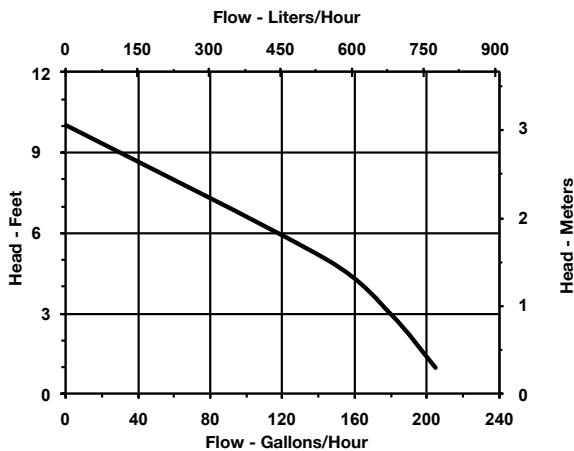
ENGINEERING DATA



A	B	C
6.09 (154.7)	6.32 (160.5)	4.31 (109.5)

PERFORMANCE DATA

115 V AND 230 V, 60 HZ



CONSTRUCTION

Motor	1/50 hp
Discharge	1/4" MNPT
Housing	Epoxy-coated cast aluminum
Cover	Epoxy-coated cast aluminum
Volute	Nylon
Impeller	Nylon
Shaft Seal	Nitrile
Screen	Polypropylene
Switch Bracket	Stainless steel
Switch	ABS

3-ABS SERIES

APPLICATIONS

- Utilizing a sealed, submersible pump with collection tank, the 3-ABS is an ideal choice for a self-contained, high volume, high head condensate removal pump. An integrated, unique float switch design assures reliability and security while providing easy access to the float for servicing.

FEATURES

- Includes 1 gallon ABS tank
- Permanently lubricated motor bearings require no maintenance during life of pump
- Oil-filled to maximize heat dissipation
- Epoxy-coated cast aluminum pump housing
- Galvanized steel tank cover has 1-1/8" inlet opening
- Automatic operation:
On level – 4.5" Off Level – 3.5"
- Easy to remove float housing for servicing
- Includes removable inlet filter screen
- 1/2" MNPT pump discharge with brass check valve and compression fitting for 1/2" OD copper or rigid plastic tubing
- Powerful 1/12 hp pump motor
- Suitable for intermittent water temperature up to 120 °F
- Includes 9 ft power cord with molded plug



SERIES SPECIFICATIONS

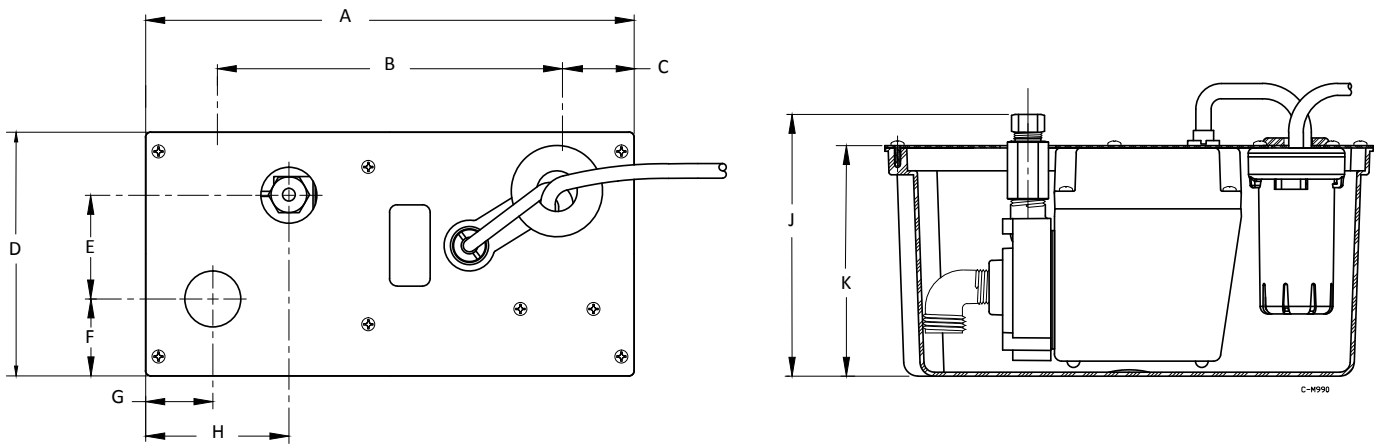
Item No.	Model	HP	Input Voltage	Hz	Amps	Watts	Discharge Size	Performance GPH (LPH) @ Head					Shut-Off Ft.	PSI	Cord	Weight (lbs)
								1'	3'	5'	10'	20'				
551320	3-ABS	1/12	115	60	3.5	210	1/2" MNPT	310 (1175)	290 (1099.1)	280 (1061.2)	250 (947.5)	110 (417)	26' (7.9 m)	11.2	9' (2.7 m)	12 (5.44 Kg)

3-ABS SERIES

REPLACEMENT PARTS & KITS

Item	Part Number
Tank	153502
Cover	151410
Check Valve	940003
Volute	103376
Impeller	104435
Gasket	103601
Float Replacement	950061
Float Screen	950284
Elbow, Inlet	119007

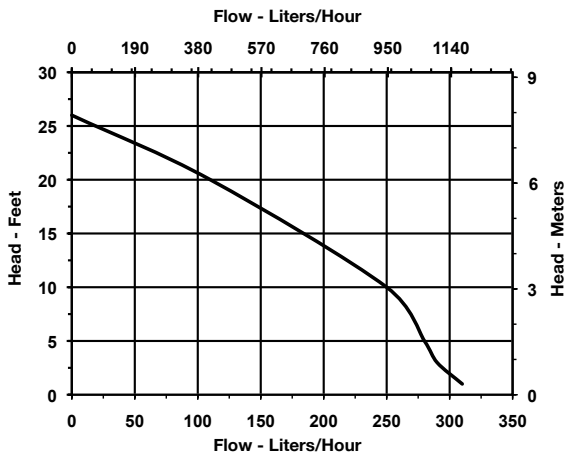
ENGINEERING DATA



A	B	C	D	E	F	G	H	J	K
12.03 (305.56)	8.5 (215.9)	1.77 (44.96)	6 (152.4)	2.55 (64.77)	1.89 (48.01)	1.66 (42.16)	3.53 (89.66)	6.5 (165.1)	5.68 (144.27)

PERFORMANCE DATA

115 V AND 230 V, 60 HZ



CONSTRUCTION

Motor	1/12 hp
Intake	1-1/4" diameter
Discharge	1/2" MNPT
Pump Housing/Cover	Epoxy-coated cast aluminum
Tank Cover	Galvanized steel
Volute	Nylon
Impeller	Nylon
Shaft Seal	Nitrile
Screen	Polyethylene

EC-1-DV SERIES

APPLICATIONS

- The EC-1-DV model is designed to accommodate multiple electrical requirements within one pump. The DV suffix indicates that the pump is capable of operating from a wide range of supply voltage to maintain consistent pump performance.
- The EC-1-DV Series is a new concept for mini pumps incorporating an improved noise reducing design and reliable solid-state switching technology. Easy to install pump bracket and reservoir adhesive provide a quick and precise method to accurately position and secure both parts of the pump quickly. The two-piece design allows the reservoir to be placed within the air handler while the pump-controller is located outside the air handler. The two components are connected via a convenient communications wire and suction tubing. (Reservoir Mounting Brackets available; sold separately)
- EC-1-DV is designed for use in removing condensate from wall mount, ductless mini-split air conditioners up to 34,000 Btu. It can also be used to remove condensate from fan coils and suspended ceiling air conditioners. The pump can be installed above the air conditioner in a false ceiling, behind the wall mount air handler, or in plastic conduit or line-set channel. The reservoir, featuring a clear tank, connects to the condensate drain hose and must be positioned flat and horizontal while the pump can be oriented in any position within 3.3 ft.



FEATURES

Pump - Controller

- Normally-closed relay rated at 8 A resistive - 250 V alarm
- 21 dB(A)*
- 1/4" I.D. pump discharge outlet
- Elastomeric mounting grommets on pump housing bracket
- Elastomeric passive vibration isolator used to dampen pump vibration
- Wall bracket for pump included; bracket for reservoir sold separately
- Thermal protection: 176 °F
- 60" power cable
- 3.3' communications cable (pump to reservoir)
- Ambient temperature range: 32 °F - 140 °F
- Maximum water temperature: 140 °F
- 2-year warranty

Reservoir

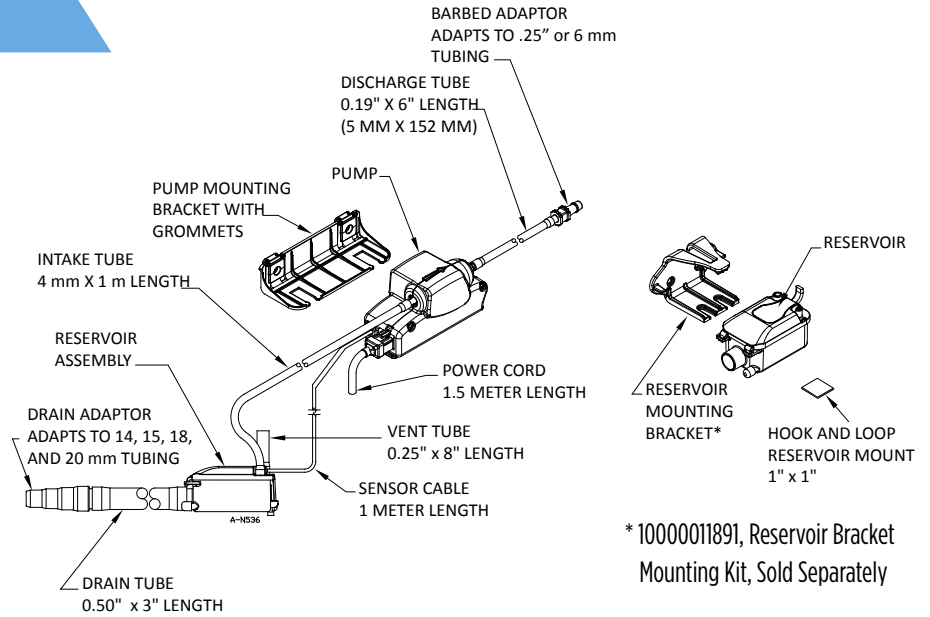
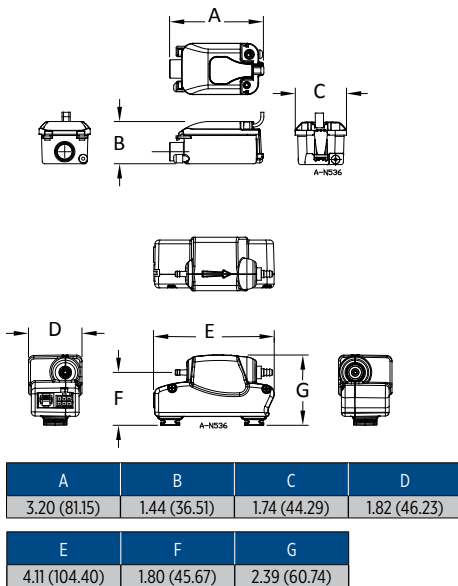
- Clear reservoir for instant visual inspection of water level, float, and filter
- Hall effect on/off level sensors with high-water sensor feature
- Extra-large filter screen for longer intervals between cleaning
- Multi-step drain hose adapter (1/2", 5/8", and 3/4")
- Simple to open reservoir for easy maintenance

EC-1-DV SERIES

SERIES SPECIFICATIONS

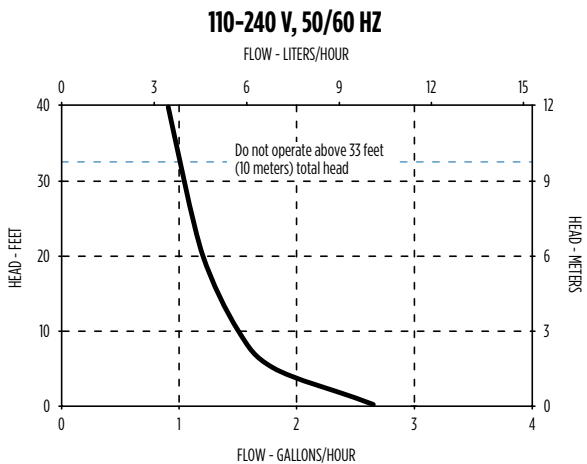
Item No.	Model	Input Voltage	Hz	Amps	Watts	Discharge Size	Performance GPH (LPH) @ Head					Shut-Off Ft.	Suction Lift	PSI	Cord	Weight (lbs)
							0'	1'	5'	10'	20'					
553507	EC-1-DV	110-240	50/60	0.18	18	1/4"	2.7 (10)	2.5 (9.5)	1.8 (6.8)	1.5 (5.7)	1.2 (4.5)	33 (10m)	3' (.91 m)	26	4.9 (1.5 m)	1.7 (0.77 Kg)

ENGINEERING DATA



* 10000011891, Reservoir Bracket Mounting Kit, Sold Separately

PERFORMANCE DATA



*Tested under conditions assumed consistent with competitors' published sound ratings.

EC-1K-DV SERIES

APPLICATIONS

- The EC-1K-DV model is designed to accommodate multiple electrical requirements within one pump. The DV suffix indicates that the pump is capable of operating from a wide range of supply voltage to maintain consistent pump performance.
- EC-1K-DV Line Set Duct provides space to install the EC-1-DV, line-set pipes, electrical wiring and drain hoses providing a clean, finished look in any décor. The pump is easily accessible for maintenance or cleaning by removing the cover (no tools required). When using the EC-1K-DV Line Set Duct, the EC-1-DV pump is always properly positioned to maximize the quiet operation of the pump and keep the reservoir level for ideal operating performance.

FEATURES

- Includes **EC-1-DV Mini Condensate Pump**
- 21 dB(A)*
- 2.7 gph (10 lph) flow
- 33 ft (10 m) shut off (max. recommended)
- Hall effect switching
- Large inlet filter
- Multi-size hose drain adapter fits all popular drain hose connections
- 2-year warranty

Line Set Kit

- Right- or left-side installation options
- 2.1" x 3.0" (5.3 cm x 7.6 cm) Line Set Duct inside dimension
- 19.7" (50 cm) drain hose tubing
- Detachable power cord 84" (213.4 cm)
- 90° "elbow" for locating pump reservoir
- 31.5" (80 cm) straight line set cover
- Room inside Line Set Duct for 3/8" and 5/8" line set pipe
- Twist motion snap-lock clips and cable ties to secure the line set
- Pump enclosure and pump mounting bracket
- Wall fasteners included (to secure Line Set Duct to wall)
- Air conditioner trim and bracket for "finished" look
- Includes ceiling plate when pump enclosure

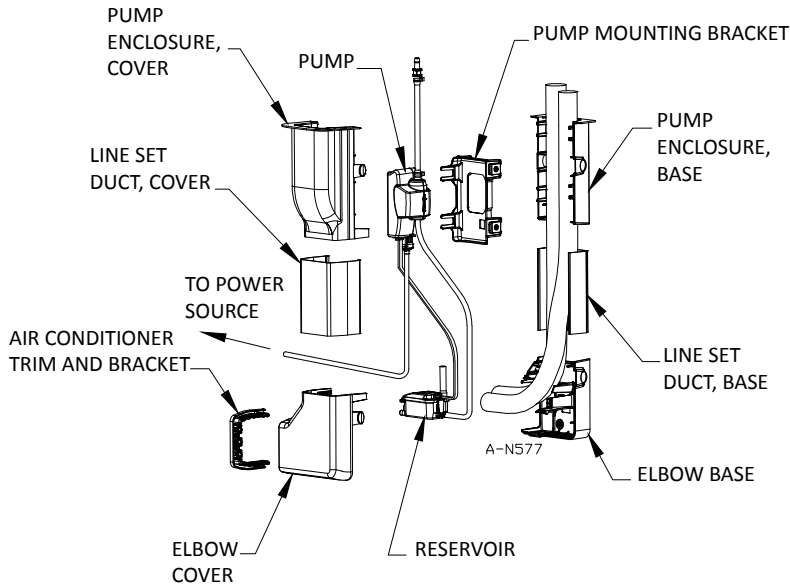


EC-1K-DV SERIES

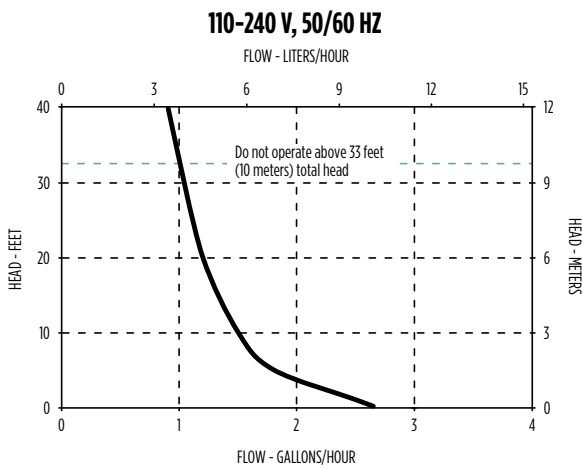
SERIES SPECIFICATIONS

Item No.	Model	Input Voltage	Hz	Amps	Watts	Discharge Size	Performance GPH (LPH) @ Head					Shut-Off Ft.	Suction Lift	PSI	Cord	Weight (lbs)	Dimensions (H x L x W in)
							0'	1'	5'	10'	20'						
553517	EC-1K-DV	110-240	50/60	0.18	18	1/4"	2.7 (10)	2.5 (9.5)	1.8 (6.8)	1.5 (5.7)	1.2 (4.5)	33 (10m)	3' (.91 m)	26	4.9 (1.5 m)	1.7 (0.77 Kg)	4.1" x 1.8" x 2.4" (10.4 cm x 4.6 cm x 6.1 cm)

ENGINEERING DATA



PERFORMANCE DATA



*Tested under conditions assumed consistent with competitors' published sound ratings.

CP SERIES

APPLICATIONS

- For use in evaporative coolers, sales displays, laboratories, water bath circulation and many other uses. Ideal as a universal OEM replacement pump
- Ideal for residential, commercial, and industrial cooler pump replacement

FEATURES

- High quality concentric fan-cooled double coil motor
- Thermal overload protection
- One-piece corrosion resistant steel shaft
- Universal mounting configurations
- 45° discharge adapter
- Optional 90° elbow with bleed off port available
- Low pump down and recovery level
- Grounded electric plug
- 6 ft electric cord
- Flame retardant housing
- Snap-off volute plate for easy cleaning

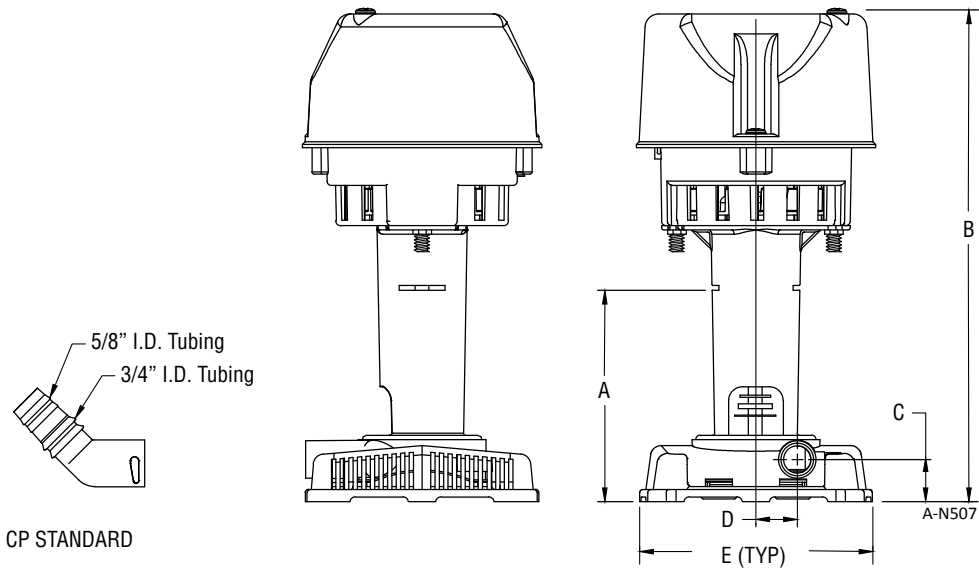


SERIES SPECIFICATIONS

Item No.	Model	HP	Input Voltage	Hz	Amps	Watts	Discharge Size	Performance GPH (LPH) @ Head				Shut-Off Ft.	PSI	Cord	Weight (lbs)
								1'	3'	5'	10'				
540005	CP1-115	1/70	115/127	60	0.8	70	5/8", 3/4"	307 (1164)	265 (1004)	213 (807)	-	9.5 (2.9 m)	4.1	6 (1.8 m)	2.5 (1.1 Kg)
540015	CP1-230	1/70	230	50/60	0.4	70	5/8", 3/4"	307 (1164)	265 (1004)	213 (807)	-	9.5 (2.9 m)	4.1	6 (1.8 m)	2.5 (1.1 Kg)
541005	CP2-115	1/50	115	60	1.0	80	5/8", 3/4"	502 (1903)	440 (1668)	371 (1406)	89 (337)	11 (3.4 m)	4.8	6 (1.8 m)	3 (1.4 Kg)
541015	CP2-230	1/50	230	50/60	0.5	80	5/8", 3/4"	502 (1903)	440 (1668)	371 (1406)	89 (337)	11 (3.4 m)	4.8	6 (1.8 m)	3 (1.4 Kg)
542005	CP3-115	1/30	115	60	1.1	90	5/8", 3/4"	563 (2134)	512 (1941)	460 (1743)	231 (876)	12 (3.7 m)	5.2	6 (1.8 m)	3.5 (1.6 Kg)
542015	CP3-230	1/30	230	50/60	0.56	90	5/8", 3/4"	563 (2134)	512 (1941)	460 (1743)	231 (876)	12 (3.7 m)	5.2	6 (1.8 m)	3.5 (1.6 Kg)

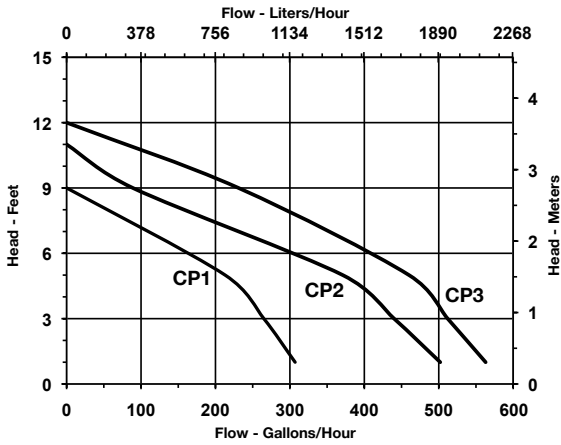
CP SERIES

ENGINEERING DATA



A	B	C	D	E
3.85 (97.79)	8.95 (227.33)	0.8 (20.32)	0.78 (19.81)	4.25 (107.95)

PERFORMANCE DATA



CONSTRUCTION

Motor	Heavy duty fan cooled
Housing	Flame retardant thermal plastic
Motor Cover	Flame retardant thermal plastic
Volute	Flame retardant thermal plastic
Impeller	Polyester
Mounting Bracket	Galvanized steel

RIM-U SERIES

APPLICATIONS

- Commercial ice machine universal replacement water pump

FEATURES

- Dual voltage (115/230 V, 50/60 Hz) 1/25 hp fan cooled motor
- Upper and lower sealed ball bearings
- Thermally protected
- Moisture proof windings
- Corrosion resistant stainless steel motor shaft
- 3 ft 4-wire leads
- Pump easily disassembles for installing and servicing
- Designed to re-use original ice machine OEM pump mounting bracket
- Multiple impellers (included) to match most US-made ice machine OEM water pump specifications
- Multiple discharge adapters (included) to match most US-made ice machine OEM water pumps specifications, including 1/2", 5/8", 3/4", 1", plus a "Y" adapter for 5/8" tubing



SERIES SPECIFICATIONS

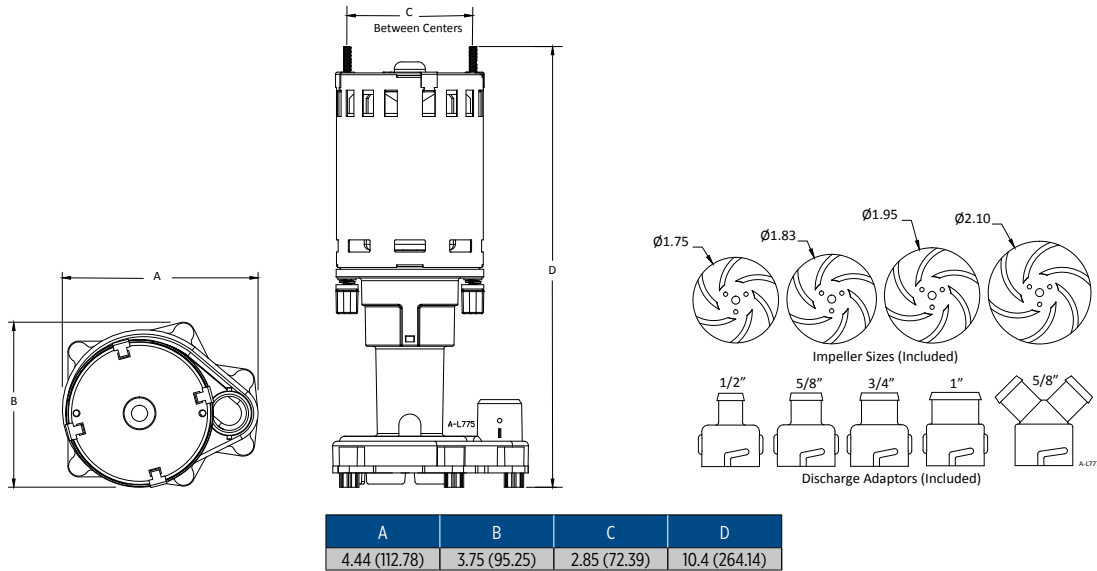
Item No.	Model	HP	Input Voltage	Hz	Amps	Watts	Discharge Size	Lead Wires (ft)	Weight (lbs)
545600	RIM-U	1/25	115/230	50/60	1.5/.75	125	1/2", 5/8", 3/4", 1", 5/8" Y O.D.	3 (0.9 m)	4.31 (2.0 Kg)

RIM-U SERIES

REPLACEMENT PARTS & KITS

Item Number	Part Number	Description	Qty.
1	145463	Impeller/adapter assembly pack (4) Impeller sizes (5) Discharge adapters (6) Volute thumb screws (1) Impeller spring (1) Impeller thumb screw (1) O-ring seal	1
2	145459	Stand	1
3	145461	Slinger plate	1
4	921073	Flat washer	2
5	921072	Locking washer	2
6	920026	Thumb nut (motor)	2
7	145460	Volute	1

ENGINEERING DATA



PERFORMANCE DATA

Impeller Diameter	Discharge Adapter (I.D. Tubing Size)	Flow - Gallons/Liters per hour	
		2 Ft/.6m	
		GPH	LPH
1.75\" / 44.5 mm	1/2\" / 12.7 mm	290	1097
	5/8\" / 15.8 mm	435	1646
	3/4\" / 19.1 mm	540	2044
	1\" / 24.5 mm	585	2214
1.83\" / 46.5 mm	1/2\" / 12.7 mm	360	1362
	5/8\" / 15.8 mm	550	2081
	3/4\" / 19.1 mm	700	2649
	1\" / 24.5 mm	810	3066
1.95\" / 49.5 mm	1/2\" / 12.7 mm	385	1457
	5/8\" / 15.8 mm	600	2271
	3/4\" / 19.1 mm	760	2876
	1\" / 24.5 mm	825	3122
2.10\" / 53.3 mm	1/2\" / 12.7 mm	400	1514
	5/8\" / 15.8 mm	600	2271
	3/4\" / 19.1 mm	700	2649
	1\" / 24.5 mm	760	2876

CONSTRUCTION

Pump Housing	NSF-listed ABS
Volute	NSF-listed ABS
Impeller(s)	NSF-listed

ACS-2 & 3 IN-PAN CONDENSATE OVERFLOW DETECTION SWITCHES

APPLICATIONS

- The ACS-2 & 3 Condensate Overflow Switches install in air conditioner drain pan to shut off the unit if condensate level approaches overflow.

FEATURES

- Easy to install, inspect and maintain
- Compact design mounts to side of A/C condensate drain pans
- Can be installed to activate audible or visual alarm circuitry
- ABS housing and float
- Complies with applicable building codes
- Switches can be wired to operate as NO or NC
- Operation:
ACS-2 — 48 VAC/DC max, 5 amps max
ACS-3 — 125-250 VAC max, 11 amps max, up to 1/3 HP
- Lead wires:
ACS-2 — 18" and 72" leads
ACS-3 — 72" leads

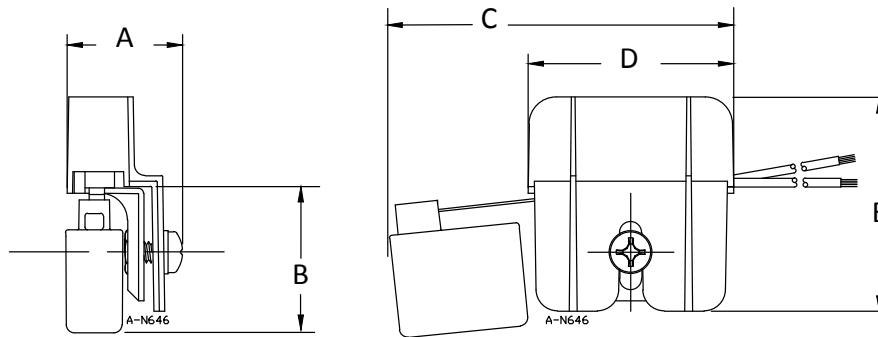


SERIES SPECIFICATIONS

Item No.	Model	HP	Input Voltage	Amps	Lead length	Weight (lbs)
599122	ACS-2	-	48 V AC/DC	5 max.	18" (45.7 cm)	0.21 (0.10 Kg)
599123	ACS-2	-	48 V AC/DC	5 amx.	72" (182.9 cm)	0.29 (0.13 Kg)
599124	ACS-3	1/3 max.	125-250 VAC	11 max.	72" (182.9 cm)	0.29 (0.13 Kg)

ACS-2 & 3 IN-PAN CONDENSATE OVERFLOW DETECTION SWITCHES

ENGINEERING DATA

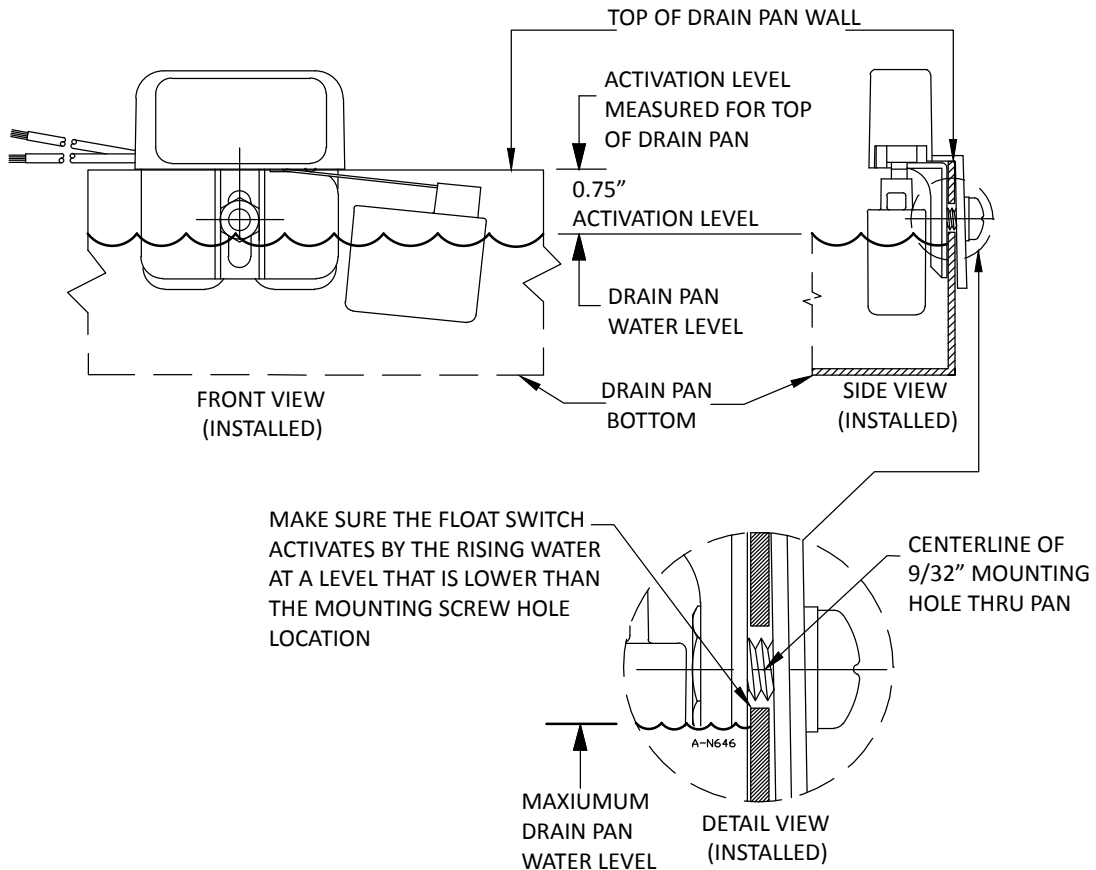


SIDE VIEW

BACK VIEW

A	B	C	D	E
1.34 (34.04)	4.91 (101.6)	2.4 (60.96)	2.5 (63.5)	2.5 (63.5)

TYPICAL INSTALLATION



ACS-4 SERIES

APPLICATIONS

- ACS-4 in-line switch is designed to detect condensate drain line clogs or blockages and shut off equipment or alert users to the potential overflow condition. ACS-4 installs on 3/4" PVC condensate drain pipe in either a horizontal or vertical position. Using the included 3/4" PVC drain pan fitting, ACS-4 can also be installed directly at the drain pan secondary outlet to detect pan overflow and shut off equipment or alert users to the potential overflow condition.

FEATURES

- Installs horizontally or vertically for confined spaces
- Reliable mechanical switch and polymer float
- Allows easy access to drain line for cleaning and inspection (by lifting off switch assembly)
- Can be installed in-line on A/C equipment condensate drain pipe, directly at the drain pan outlet or directly at the auxiliary (secondary) drain pan outlet
- Shuts off equipment when clog or blockage backs up condensate water in drain line
- Can simultaneously be connected to a warning light, audible alarm circuit or BMS/BAS system in addition to connection for equipment shut down
- Dual switch contacts allow NO and/or NC operation (additional lead wire required if both circuits used)
- Includes two 18 gauge, 6' (72") leads
- Includes schedule 40 PVC 3/4" 90° (tee) housing, 3/4" MNPT x 3/4" male slip adapter (to fit standard 3/4" equipment pan outlets), 3/4" PVC plug and 1" x 3/4" PCV bushing
- Suitable for 24 VAC Class 2 (thermostat) circuit
- 5 amp switching capacity
- Complies with applicable building codes

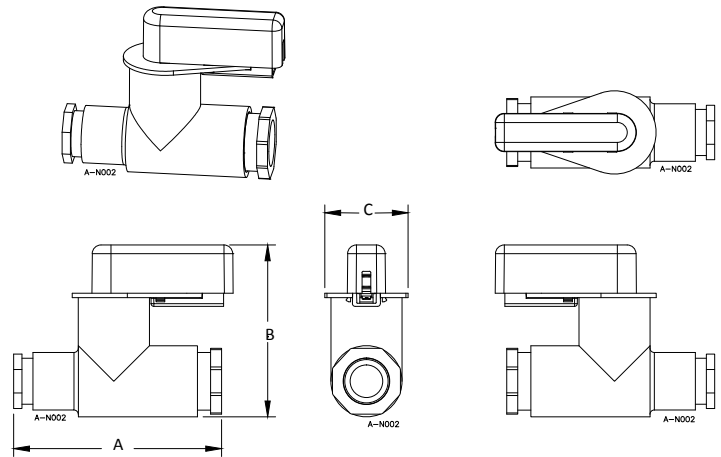
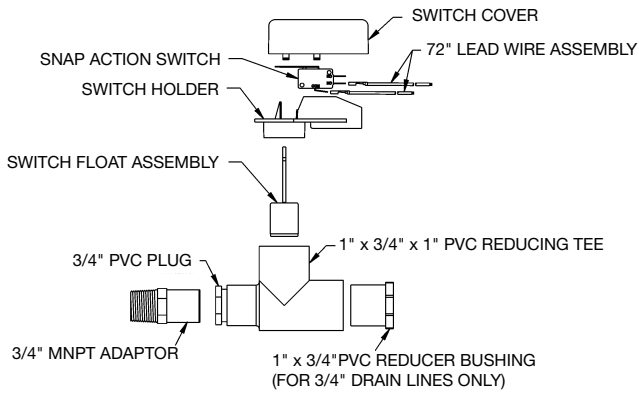


SERIES SPECIFICATIONS

Item No.	Model	Input Voltage	Amps
599125	ACS-4	24 VAC	5 max.

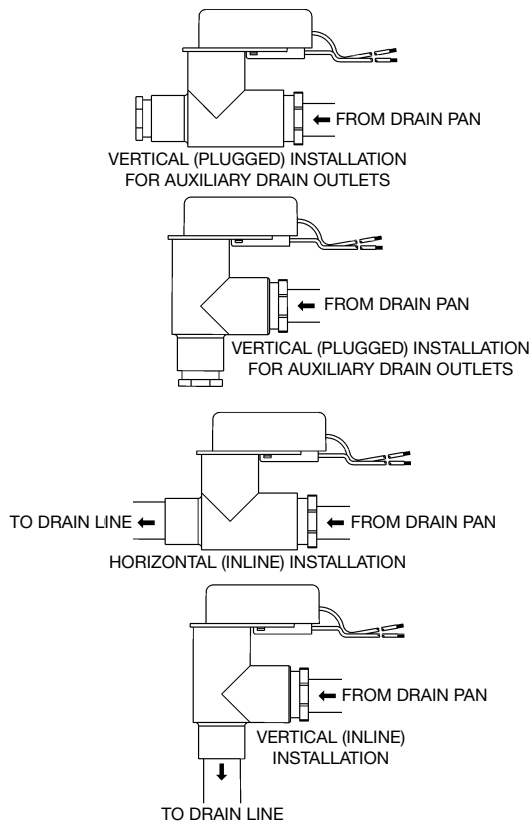
ACS-4 SERIES

ENGINEERING DATA



A	B	C
4.7 (119.38)	3.9 (99.06)	1.9 (48.26)

TYPICAL INSTALLATION



ACS-5 SERIES

APPLICATIONS

- Designed for use as a secondary condensate drain pan overflow detection unit, it will shut off equipment or alert users to potential overflow condition. Easily installs directly to drain pan outlet using included 3/4" PVC drain pan fitting.

FEATURES

- Installs in confined spaces
- Reliable mechanical switch and solid, polymer float
- Can be installed on A/C equipment overflow or secondary drain pan outlet
- Shuts off equipment when clog or blockage backs up condensate water in drain line
- Can simultaneously be connected to a warning light or audible alarm circuit or BMS/BAS system to send a signal in addition to shut off equipment
- Dual contacts allow NO and/or NC operation (additional lead wire required if both circuits used)
- Includes two 18 gauge, 6' leads
- Includes schedule 40 PVC 3/4" 90° housing and 3/4" MNPT x 3/4" male slip adapter to fit standard 3/4" equipment/pan outlets
- Suitable for 24 VAC Class 2 (thermostat) circuit
- 5 amp switching capacity
- Complies with applicable building codes

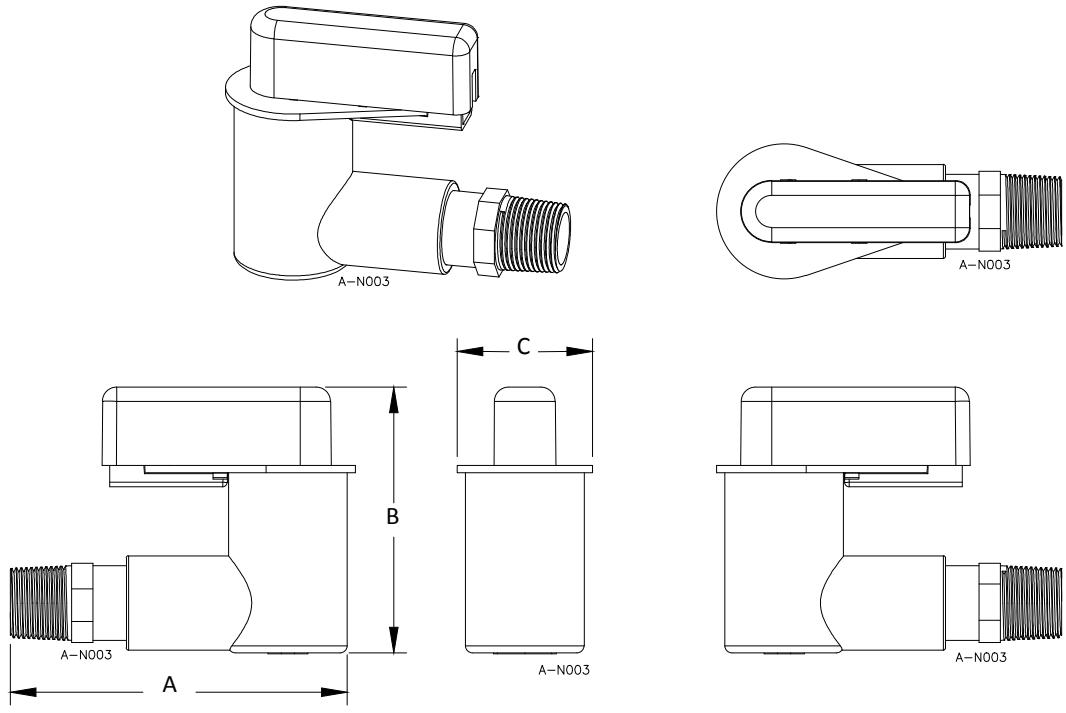


SERIES SPECIFICATIONS

Item No.	Model	Input Voltage	Amps
14940157	ACS-5	24 VAC	5 max.

ACS-5 SERIES

ENGINEERING DATA



A	B	C
4.7 (119.38)	3.7 (93.98)	1.9 (48.26)

ACCESSORIES

T-20/25

TUBING



Item No.	Model
599033	T-20/25

- One carton of 25 pieces of 20' (6.01 m) length 3/8" (9.5 mm) ID VC tubing

T-3/8

TUBING



Item No.	Model
599107	T-3/8

- 100' (640.1 m) of 3/8" (9.5 mm) ID x 1/2" (12.37 mm) OD clear tubing

PC-10-PRK

PUMP REPAIR KIT



Item No.	Model
599325	PC-10

- Replacement roller and tube kit for TP Series and PC-10

T-RPC-10

TUBE



Item No.	Model
599270	T-RPC-10

- Replacement tube assembly for TPS, TPT, and TPR pumps

ERC

EXTENSION CABLE



Item No.	Model
599170	ERC

- 3.3' (1 m) extension cable for TPT temperature sensor and TPR reservoir assembly

RESERVOIR ASSEMBLY



Item No.	Model
153781	Reservoir Assembly

- Replacement reservoir assembly for TPR pumps

CV-2

CHECK VALVE



Item No.	Model
599061	CV-2

- For ABS Series pumps
- 1/4" FNPT (6.35 mm) to 1/4" (6.35 mm) OD tubing

CV-4

CHECK VALVE



Item No.	Model
599062	CV-4

- For ABS Series pumps
- 1/2" FNPT (12.7 mm) to 1/2" (12.7 mm) OD rigid plastic or copper tubing

CV-35

CHECK VALVE



Item No.	Model
599064	CV-35

- For VCL-45ULS
- 3/8" (9.5 mm) rigid plastic or copper tubing on both ends

CV-10

CHECK VALVE



Item No.	Model
599065	CV-10

- For VCC Series, VCMA Series and VCL-14/24 pumps
- 1/4" FNPT (6.35 mm) to 3/8" (9.5 mm) ID vinyl tubing

CV-X38

CHECK VALVE



Item No.	Model
599058	CV-X38

- For Condensate Pump Series VCMX
- 3/8" (9.5 mm) OD rigid plastic or copper tubing

CV-14/24

CHECK VALVE



Item No.	Model
599069	CV-14/24

- For VCC Series, VCMA Series and VCL-14/24 pumps
- 1/4" MNPT (6.35 mm) to 3/8" (9.5 mm) OD rigid plastic or copper tubing

ACCESSORIES

CV-15/20

CHECK VALVE



Item No.	Model
599033	T-20/25

- Brass check valve for VCMA-15/20
- 1/4" MNPT (6.35 mm) to 3/8" (9.5 mm) OD rigid plastic or copper tubing

ACS-X10

OVERFLOW DETECTION SWITCH



Item No.	Model
599136	ACS-X10

- For use with VCMX

ACS-X72

OVERFLOW DETECTION SWITCH



Item No.	Model
599137	ACS-X72

- For use with VCMX

VCMX-CK

ANTI-SWEAT SLEEVE



Item No.	Model
599138	VCMX-CK

- For use with VCMX

ELBOW



Item No.	Model
140341	Elbow

- For use with CP1 Series
- 90° Elbow with bleed off
- Design for 1/2", 5/8", and 3/4" I.D. tubing

ELBOW



Item No.	Model
140346	Elbow

- For use with CP2 and CP3 Series
- 90° elbow with bleed off
- Design for 5/8" and 3/4" I.D. tubing

ADDITIONAL CHECK VALVES



Item No.
154708

- For VCMA, VCM and VCC Series pumps
- 3/8" NPT x 1/4" OD



Item No.
154724

- For use with VCMX
- 3/8" OD



Item No.
305627001

- For use with VCCA-20 and VCCA-20-P
- Hose barb for 1/4" I.D. vinyl tubing



Item No.
305627002

- For use with VCCA-20
- Hose barb for 3/8" vinyl tubing



Item No.
30562003

- For use with VCCA-20-P
- 1/4"-18 NPT for 3/8" copper tubing (requires 941016 compression nut/adaptor/ferrule, not included)

