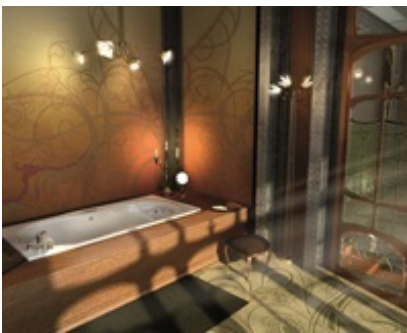


# MAAX SUBMITTAL SPECIFICATIONS

## Melodie

**MODEL NUMBER 100073**

DIMENSIONS: 66" x 33" x 20" Acrylic



Vivez l'expérience  
**MAAX**<sup>®</sup>  
Enjoy the experience

### STANDARD FEATURES

- Raised bi-level bottom and curved lines for complete relaxation
- Relaxing armrests with ergonomic backrests
- Ample deck space for faucet installation, apron available
- Drop-in, undermount <sup>10</sup> or alcove installation with center drain
- White cushion included with whirlpool and combined systems
- For alcove installation, specify tiling flange

### OPTIONS

- Thermo-Acoustic system
- Metal trim kit for whirlpool and combined systems
- Tiling flange
- Removable acrylic apron
- Two chromatherapy lights
- One chromatherapy light

### UNIQUE FEATURES

- None

### SYSTEMS

- Aerofeel Chromatherapy
- Combined Aerofeel/Hydromax
- Hydromax REST Hydromax REST
- Hydromax with Backmax
- O3 Ozonator

### DOOR SELECTION

Combined with MAAX's complete shower door offering visit

[www.maax.com](http://www.maax.com)



Project : .....

Contractor : .....

MAAX Representative : ..... Tel : .....

Date : .....

[www.maax.com](http://www.maax.com)

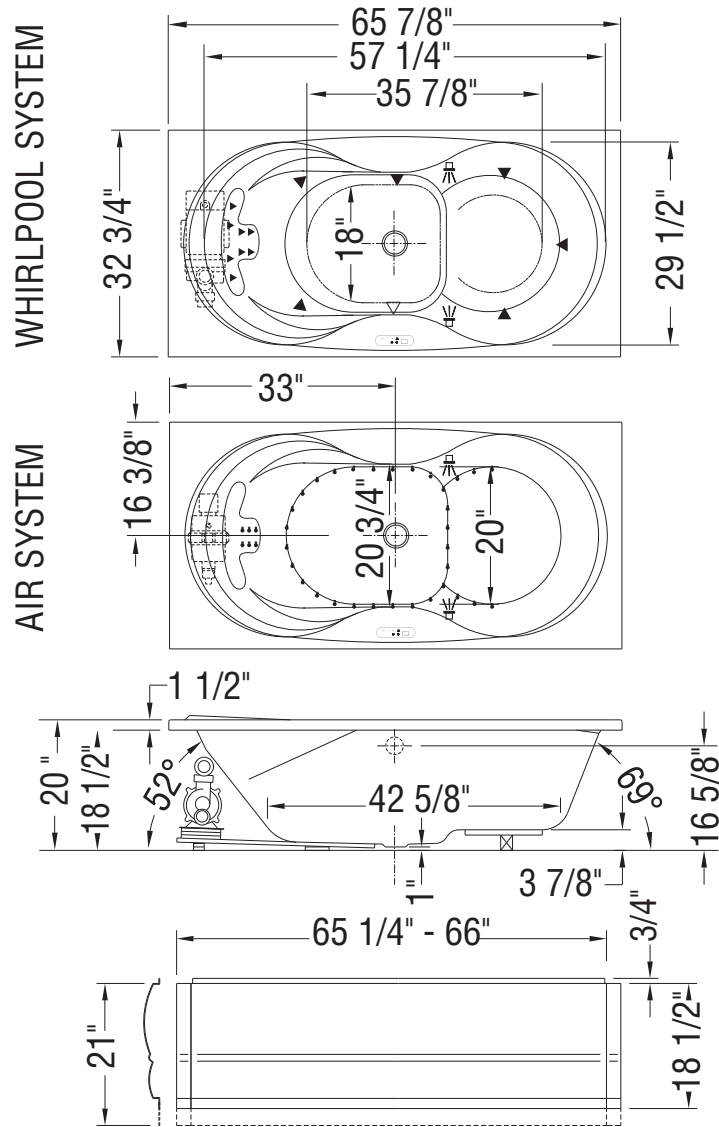
2017-11-09

# MAAX SUBMITTAL SPECIFICATIONS

## Melodie

MODEL NUMBER 100073

### TECHNICAL DRAWINGS



( ▲ ): Indicates whirlpool jets positioning  
 ( △ ): Indicates suction positioning  
 ( ● ): Indicates airjets positioning  
 ( ✎ ): Indicates chromatherapy light positioning  
 Bathtub base includes anti-vibration Neutra-Phone leg supports (not shown).  
**All dimensions are approximate. Structure measurements must be verified against the unit to ensure proper fit.**