

MAAX SUBMITTAL SPECIFICATIONS

Freestyle 37 Neo-Angle (1-Piece)

MODEL NUMBER 102994

DIMENSIONS: 37" x 37" x 78" Acrylic



Vivez l'expérience

MAAX®

Enjoy the experience

STANDARD FEATURES

- 1 or 2-piece shower
- 2 large shelves and integrated soap dish
- Customize the shower: specify seat or footrest
- Optional roof cap
- Optional roof cap light
- Integrated shelves, specify Chrome or Brushed Nickel guard rail

OPTIONS

- ABS shower drain with Chrome stainless steel grid
- ABS shower drain with ABS grid
- Halogen light - certified cULus - 12V.-4
- Roof cap
- PVC quick caulking shower drain with Chrome or Brushed Nickel grid

UNIQUE FEATURES

- None

SYSTEMS

- None

DOOR SELECTION

Combine with MAAX's complete shower door offering visit www.maax.com

CERTIFICATIONS

Maax products adhere to one or more of the following certifications:



Project :

Contractor :

MAAX Representative : Tel :

Date :

www.maax.com

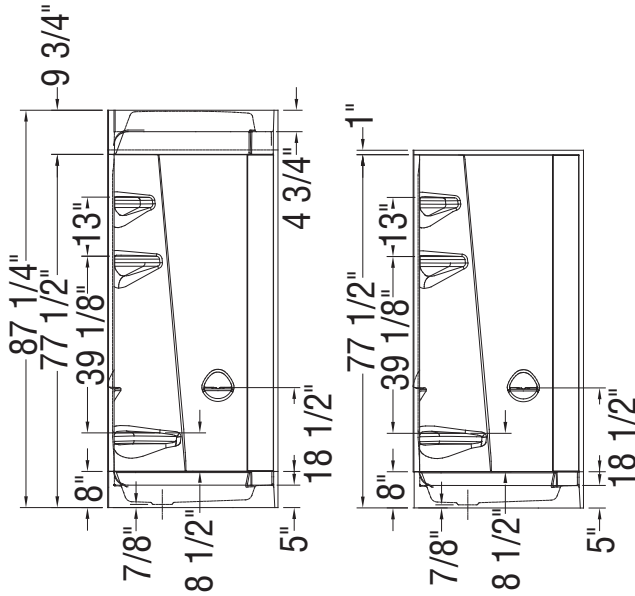
2017-11-09

MAAX SUBMITTAL SPECIFICATIONS

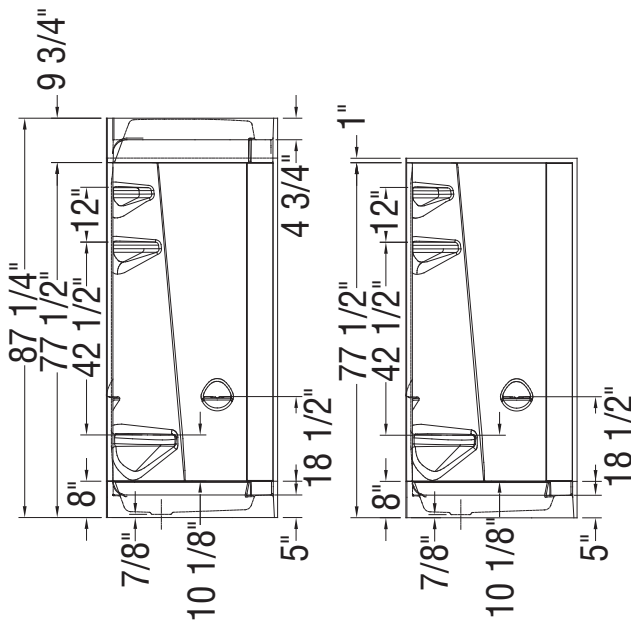
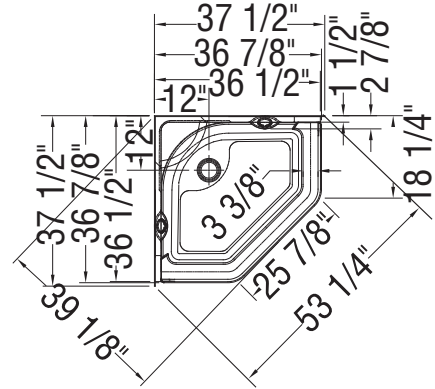
Freestyle 37 Neo-Angle (1-Piece)

MODEL NUMBER 102994

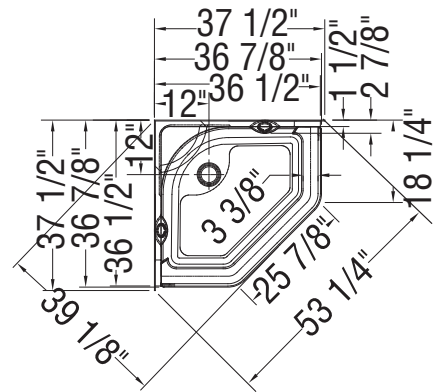
TECHNICAL DRAWINGS



With footrest



With seat



All dimensions are approximate. Structure measurements must be verified against the unit to ensure proper fit.