



View Installation Video - Scan QR code with a mobile device
 Voir Vidéo d'installation - Balayer QR code avec un dispositif mobile
 Ver video de instalación - Escanear código QR con un dispositivo mobil

| | |
|--------------------|---|
| OPS-3636 | 106027-106028-106029-106030-106031-106032-106033 |
| OPS-3636-RS | 106064-106065-106066-106067-106068-106069-106070 |
| OPS-4248 | 106053-106054-106055-106056 |
| OPS-4248-RS | 106083-106084-106085-106086 |
| OPS-6030 | 106034-106035-106036-106037-106038-106039 |
| OPS-6030-RS | 106071-106072-106073-106074-106075-106076 |
| OPS-6036 | 106040-106041-106042-106043-106044-106045 |
| OPS-6036-RS | 106077-106078-106079-106080-106081-106082 |
| OPTS-6032 | 106057-106058-106059-106060-106061-106062-106063 |

Read carefully before proceeding. TO BE KEPT BY THE END USER.
Keep the serial number for the unit

PLEASE READ INSTRUCTIONS CAREFULLY BEFORE PROCEEDING

Before starting

Upon reception, check if your shower is in good condition and make sure that all parts are included. If you have a problem, please contact immediately your distributor.

Required equipment

- Level
- Electric drill
- Silicone
- Wood shims
- Cement or similar composite material
- Measuring tape
- #8 x 1" wood screws
- Safety goggles
- Phillips screwdriver
- Pencil
- Square



A two person installation is recommended.

WARNING:



For optimum operation, it is important that the unit be installed perfectly on a leveled floor. Handle metal parts with care. During installation, protect shower floor with the cardboard packaging. This will prevent damaging the finish.

DO NOT BUILD THE SURROUNDING STRUCTURE BEFORE RECEIVING YOUR UNIT. Structure measurements should be verified against the unit to ensure a proper fit.

The grab bars and seats must be installed before unit installation.

Consult local building codes to make sure the installation complies with standards.

MAAX is not responsible for problems caused by installations that were not conducted in compliance with the directives in this guide.

ATTENTION

In accordance with standards, the finished entrance height of shower stalls must not exceed ½ inch (13 mm).

Because of the possible water leaks between the lip of the shower and the curtain, MAAX RECOMMENDS THE INSTALLATION OF A FLOOR DRAIN OUTSIDE THE UNIT, in rooms where the aforementioned units will be installed.

STEP 1 FREE SPACE

INSTALLATION

The bathroom configuration must include a clearance zone to allow the user to have access to the unit. In order to respect these various standards, refer to the table below. It is very important that the free space respect the dimensions. See Fig.A and table.

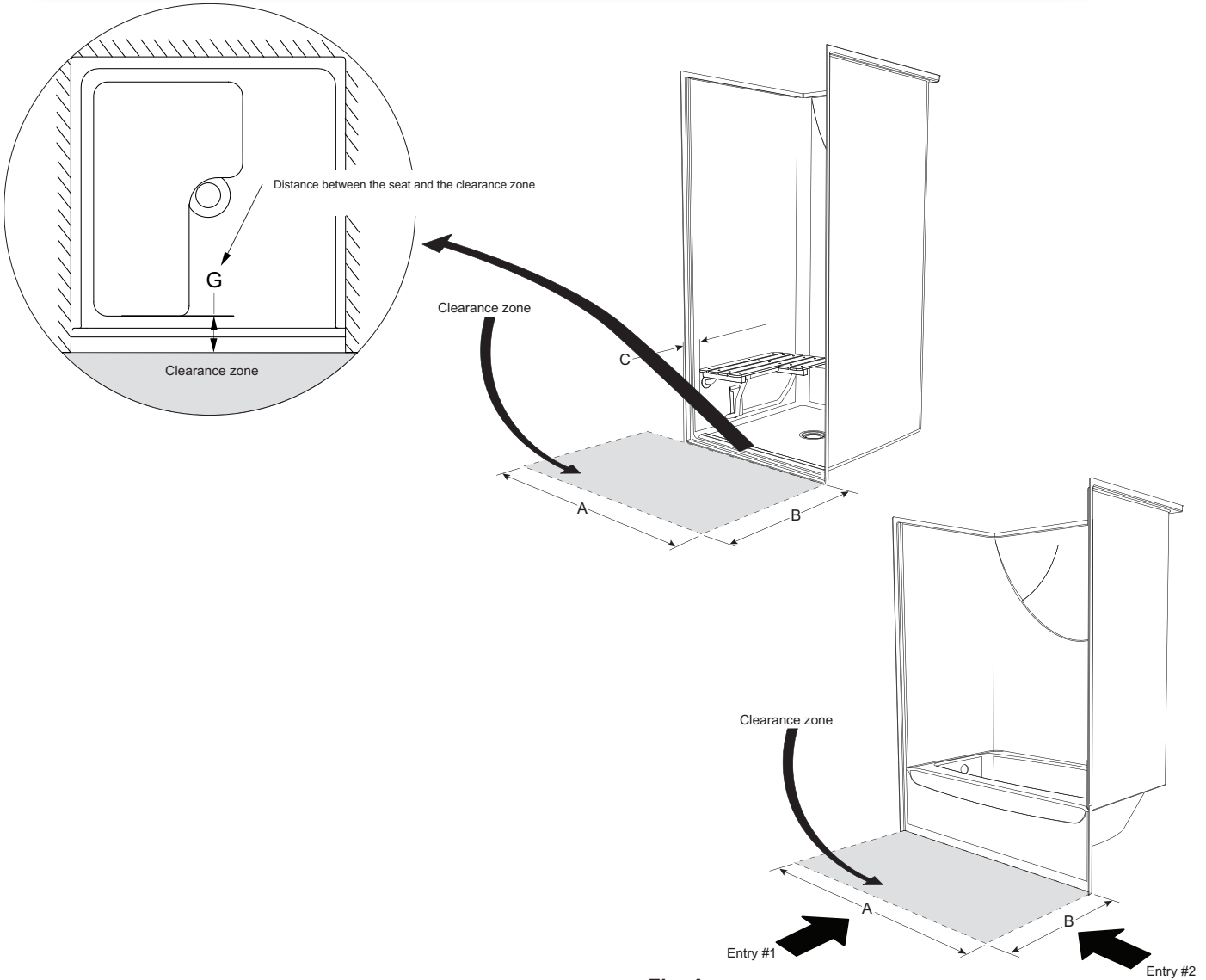


Fig. A

* For unit 3636 - This unit does not meet ADA/ANSI accesibility standards for free floor space adjacent to shower entry

| Standard | Shower 36"x36" | | Shower (60"x36") Shower (60"x30") | | (Tub shower 60"x32") | |
|-------------|-----------------------------|-----|--------------------------------------|-----|----------------------|-----|
| | ANSI | ADA | ANSI | ADA | ANSI | ADA |
| A (min in.) | 48 from the control wall | | 60 | | 60 | |
| B (min in.) | 36 | | 30 | | 30 | |
| C (max in.) | 3 | | 3 | | N/A | |

INSTALLATION

STEP 2 FRAMING

A sturdy frame is required to ensure stability of the unit, once installed.

For units equipped with a stainless steel soap dish, make sure that there is no stud behind the soap dish hole.

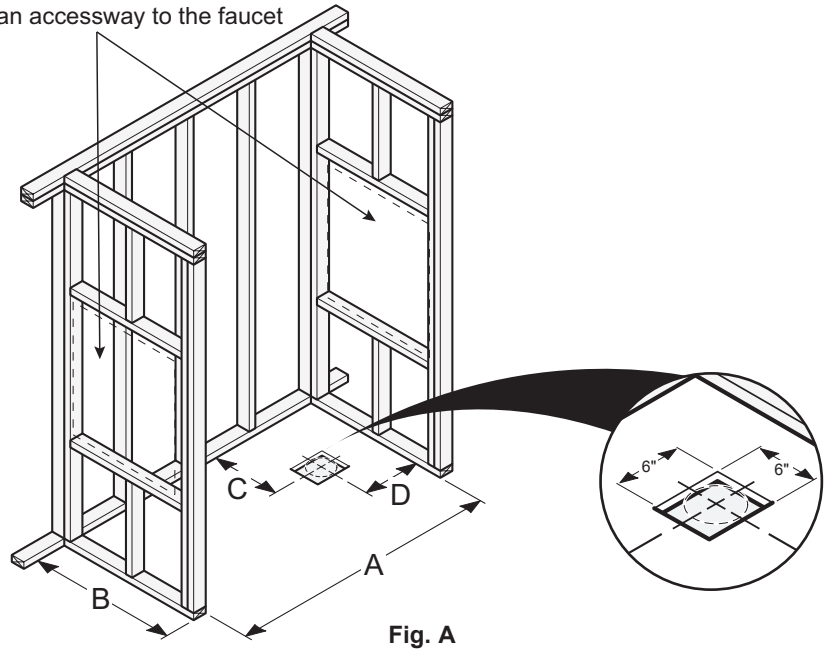
Construct the alcove in accordance with Fig. A and table dimensions.

NOTE: STRUCTURE MEASUREMENTS MUST BE VERIFIED AGAINST THE UNIT TO ENSURE A PROPER FIT. All dimensions are expressed in inches and millimeters.



Note: The following measurements are not those of the unit but those required for the installation ($\pm 1/4"$); **for easier installation add 1/4" (6 mm) to dimensions A and B only.**
Note: Some units are available with left-hand or right-hand drain; check the drain position before drilling the floor.

Allow an accessway to the faucet



| | (36"x36") | (60"x36") | (60"x30") | (TS 60"x32") |
|----------|---------------|----------------|----------------|----------------|
| A | 38 3/4 984 | 62 1/2 1588 | 62 7/8 1597 | 59 3/4 1518 |
| B | 39 991 | 39 1/4 845 | 33 1/4 845 | 34 864 |
| C | 19 1/2 495 | 19 5/8 498 | 15 1/2 394 | 15 1/8 394 |
| D | 19 3/8 492 | 31 3/8 797 | 31 3/8 797 | 10 254 |

INSTALLATION

STEP 3 CONTROL AREA

The control area must be inside a target zone and must not exceed this zone in order to respect the various standards. Fig. A. The control area can differ slightly from one standard to another.

Refer to the table below.

NOTE: If unit is with a complete compliant package, the control hole will be factory drilled.

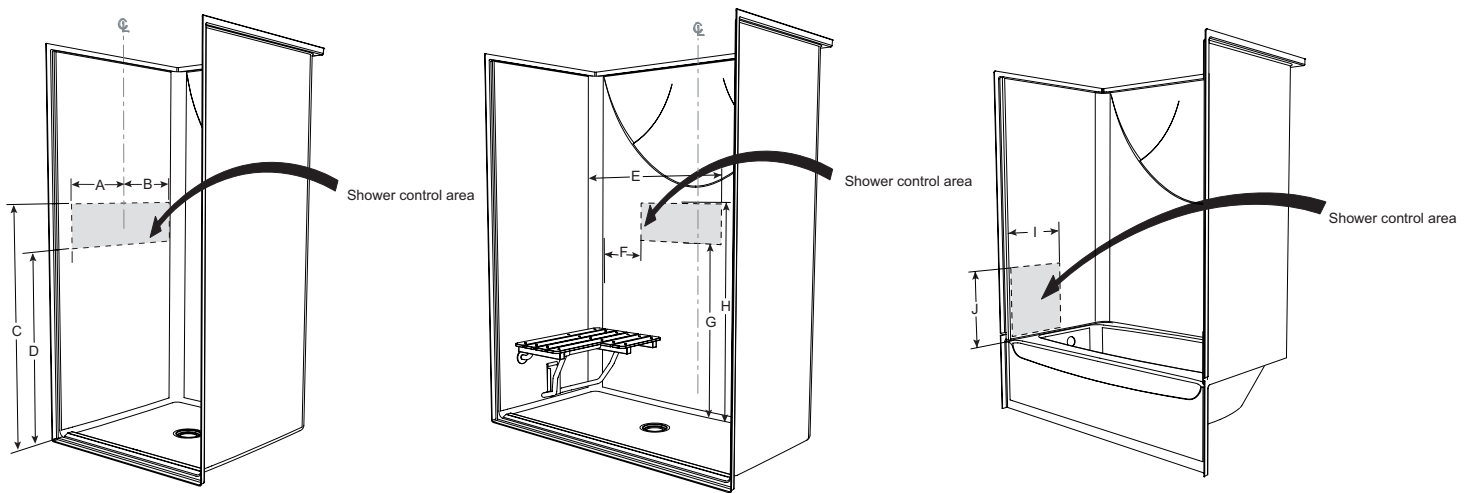


Fig. A

| # | Shower (36"x36") | | Shower (60"x36") Shower (60"x30") | | | Tub shower (60"x32") | | |
|-------------|------------------|-----|--------------------------------------|--------------------------|-----|----------------------|--------|-----|
| | ANSI | ADA | Standard | ANSI | ADA | Standard | ANSI | ADA |
| A (max in.) | 15 | | E (max in.) | 27 | 27* | I (max in.) | 15 5/8 | |
| B (max in.) | 0 | | F (min in.) | 16 | 0 | J (max in.) | 18 1/2 | |
| C (max in.) | 48 | | G (min in.) | 1 1/2 above the grab bar | | | | |
| D (min in.) | 38 | | H (max in.) | 48 | | | | |

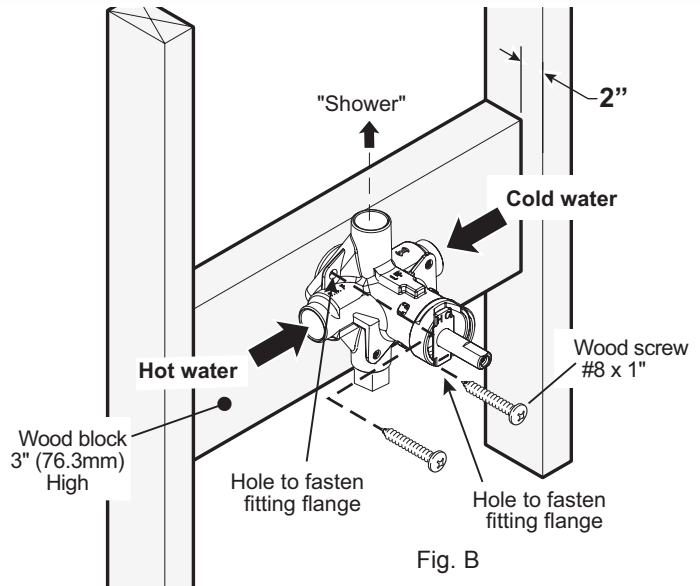
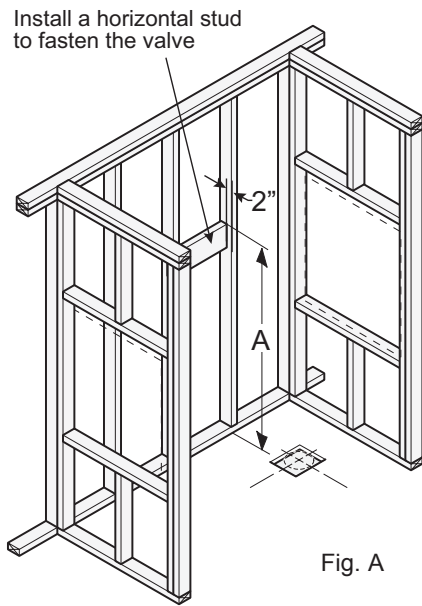
* If a seat is included

INSTALLATION

STEP 4 VALVE INSTALLATION

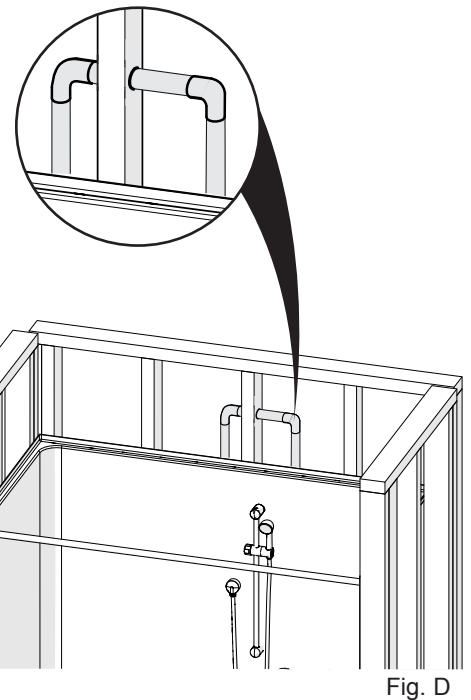
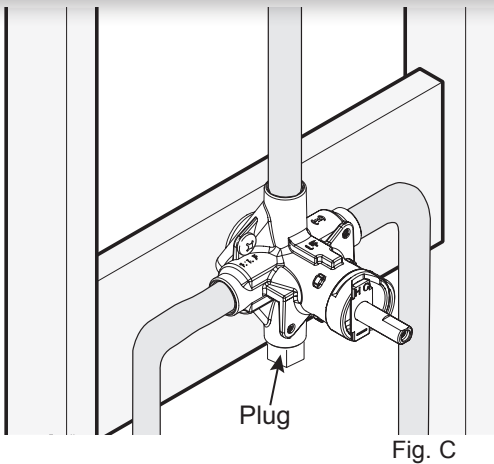
A trap door measuring at least 30" x 28" (762mm x 711mm) behind EACH shower model is highly recommended to give access to the valve and plumbing for maintenance and repairs.

- a) At the height the valve will be installed (dim. A) (45" - 48" (1143mm - 1219mm) for showers and 32"(813mm) for tub shower), fasten a 3 in. (76.2 mm) high wood block. The depth (2") is based on the exterior surface of the studs in order to install the wood block (Fig. A-B).
- b) Fasten hot and cold water couplings.
- c) Fasten valve using two screws. (Fig. B) Make sure center of valve is at the same height as the center of the hole in the shower wall in relation to the floor.
- d) Connect water supply lines so hot water (left) and cold water (right) are properly connected in relation to the valve body. (Fig. B)
- e) The water pipe connecting the valve to the hand-held shower connector must rise above the shower wall. (Fig. D)



NOTE: Before proceeding with the final assembly, make sure plumbing is watertight. Fig. C

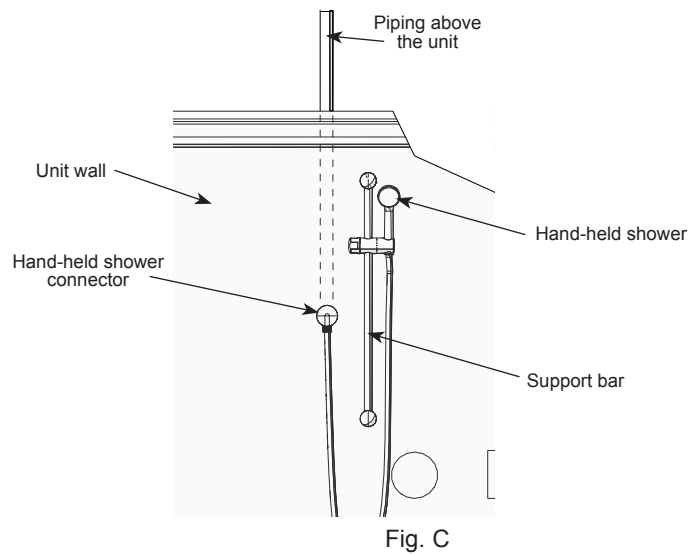
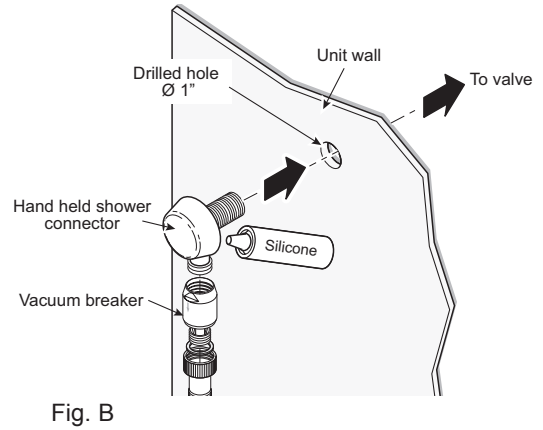
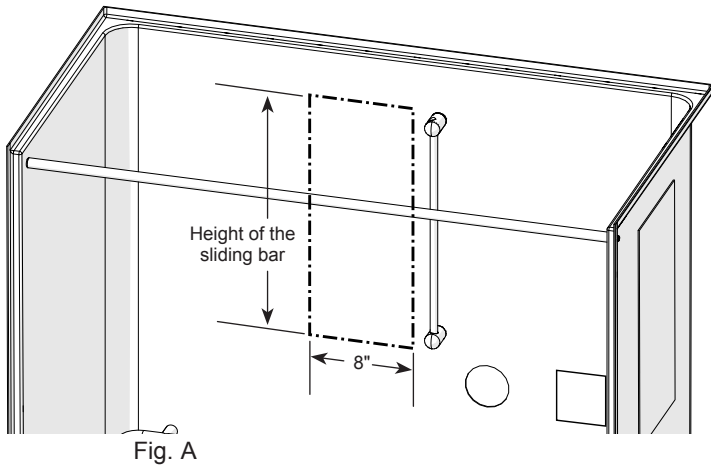
WARNING: if drain is not connected, insert a flexible pipe on the shower head to evacuate water to a proper location. You can also use a pail. Check the whole assembly for any leaks and proceed with corrective action if necessary (ex.: tightening joints).



INSTALLATION

STEP 5 HAND-HELD SHOWER INSTALLATION

Drill a 1" diameter hole in the recommended target zone marked with the dotted line rectangle as shown in Fig. A. Apply a bead of silicone on the inside surface of the hand-held shower connector and insert it in the previously drilled hole as shown in Fig. B. The hand-held shower connector must be fastened behind the unit's wall with the piping rising above the unit. Fig. C. The hand-held shower will rest on sliding support bar. Fig. C.



INSTALLATION

STEP 6 DRAIN ON SHOWER INSTALLATION

Cut drain pipe flush to the floor. Fig. A.

Apply a bead of silicone under flange of drain head. Insert drain head into the drain hole of the unit. Tighten locknut with friction ring and gasket to secure shower drain to shower floor. Fig. B.

Before final installation of the drain, the unit (shower or tub-shower) has to be completely installed. To finish drain installation go to step 12.

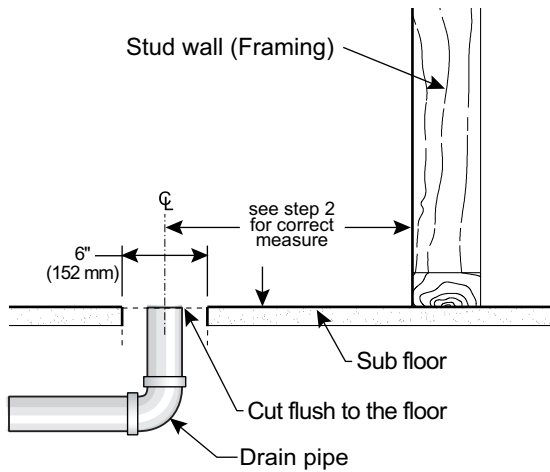


Fig. A

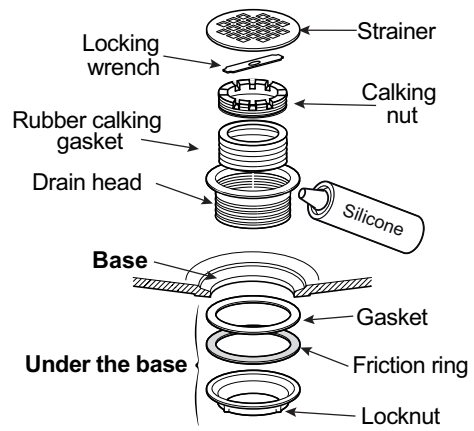


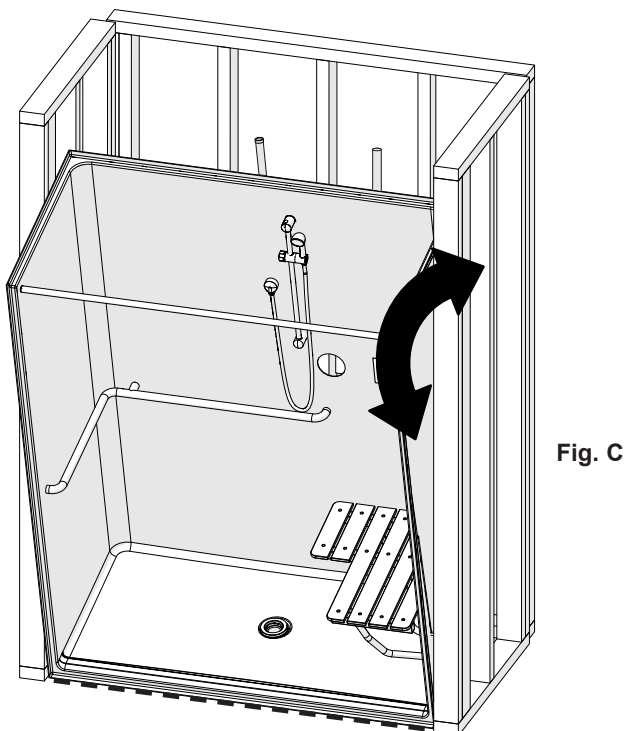
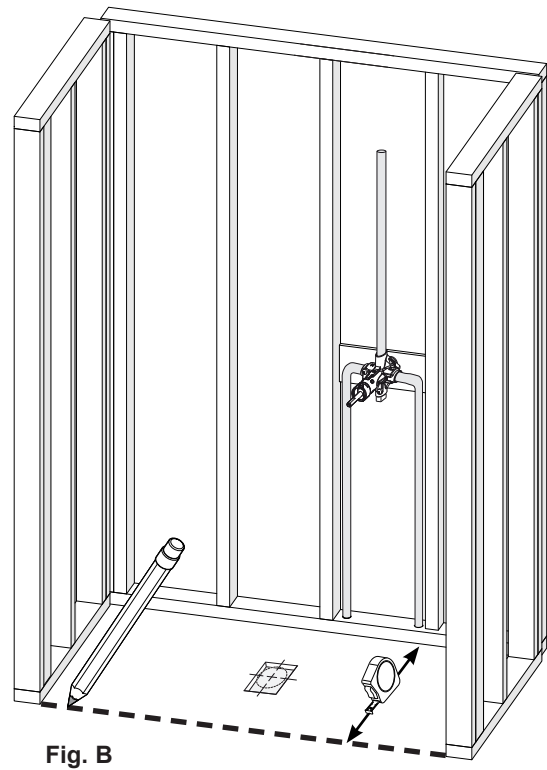
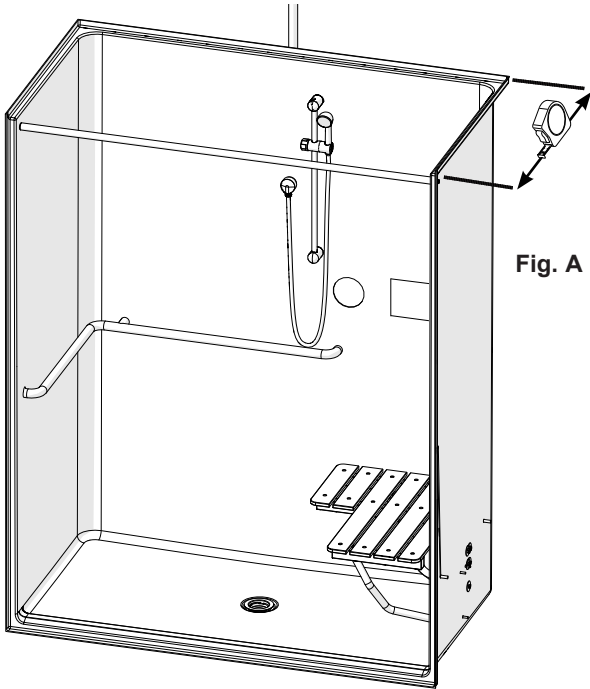
Fig. B

STEP 7

INSTALLATION

UNIT INSTALLATION

- A) Before placing the unit in the alcove, measure the depth. Fig.A.
- B) Using the depth project and trace a line as shown in fig.B.
- C) Place the unit in the alcove, use the traced line as a reference to help in positioning the unit. Verify that everything fits (drain pipe, valve and soap dish). Remove the unit from the alcove. Fig.C.



INSTALLATION

STEP 8

UNIT INSTALLATION

- A) Apply a thin layer of mortar. Leave a gap of at least 5 inches around the drain hole as shown. Fig.A.
- B) Tip to the front the unit and place it on the previously marked line as shown. Fig.B. Make sure that everything (drain, pipe and valve) is on the right place. Lower the unit slowly into place. Fig.B.
- C) Connect plumbing under the top horizontal stud as shown. Connect plumbing and drainage according to standards. Make sure that joints are waterproof. Fig.C.



Fig. A

Fig. B

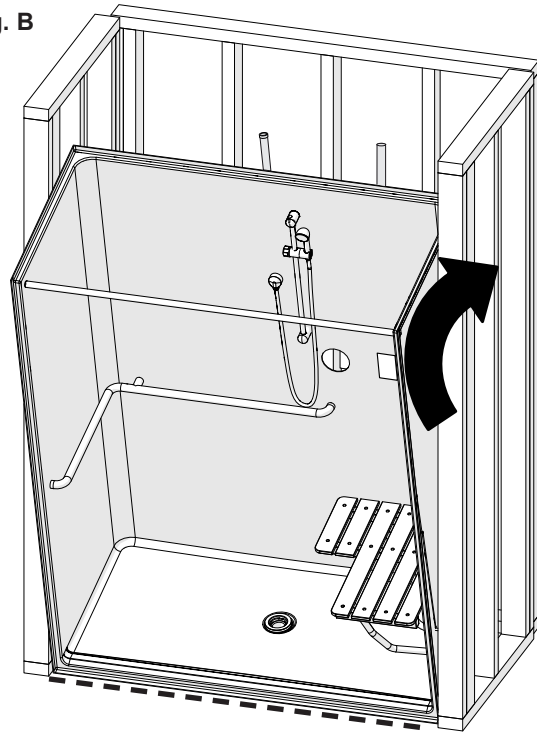
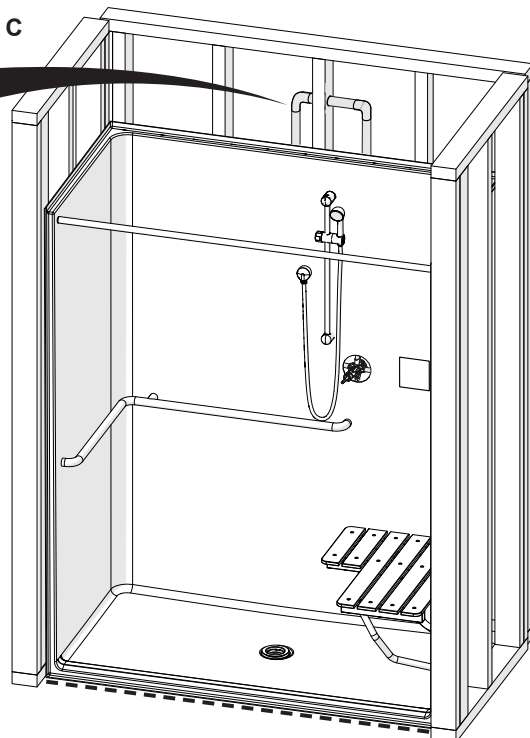
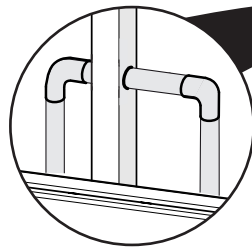


Fig. C




Put cardboard on shower floor
to protect the surface during
installation.

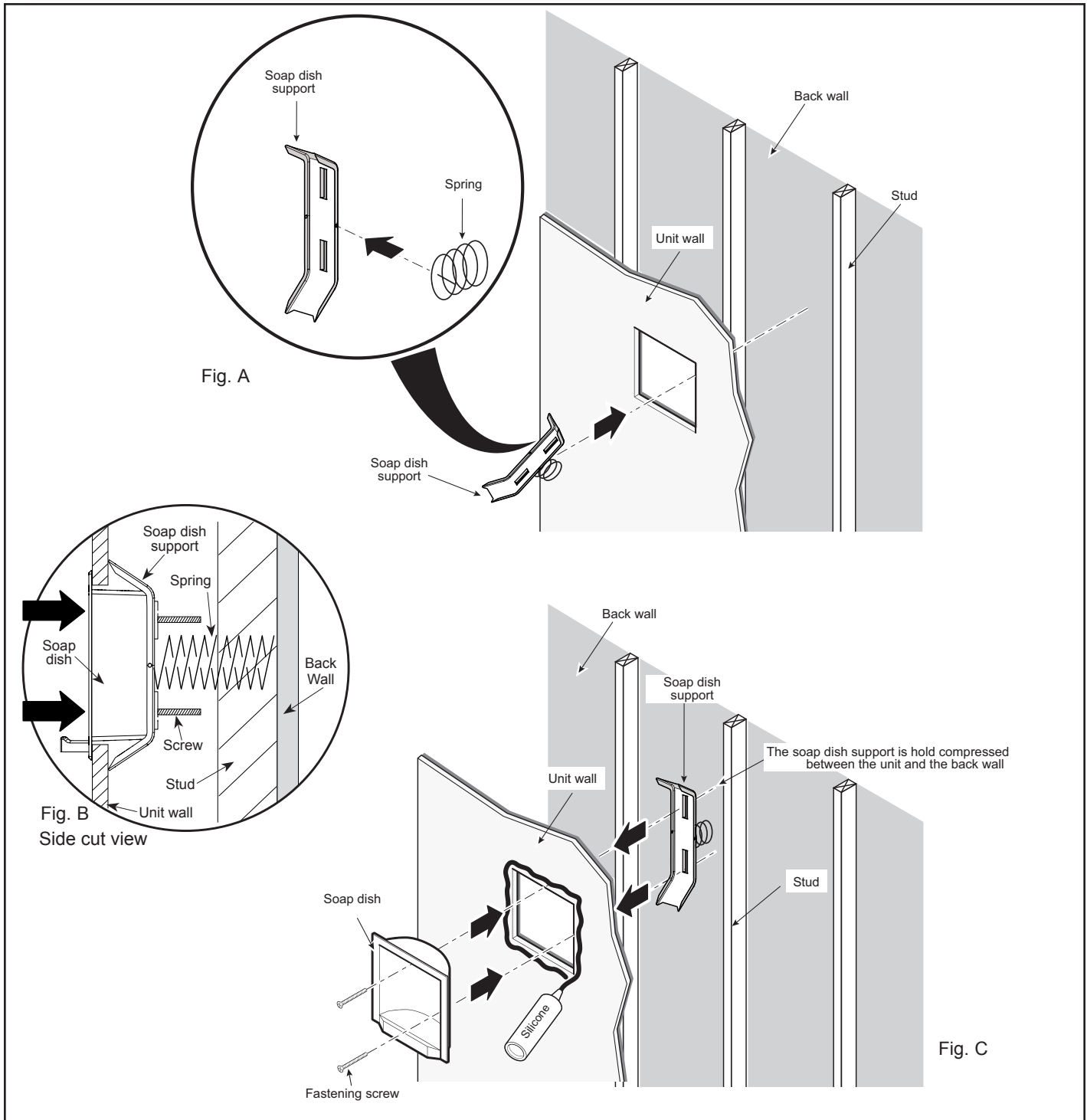
INSTALLATION

STEP 9 OPTIONAL SOAP DISH INSTALLATION

The soap dish must be installed after having positioned the unit in the frame. If the option is chosen an opening for inserting the soap dish will be factory drilled.

Install the spring at the center of the soap dish support. Fig. A. Then insert the support in the opening so that the support with the spring is compressed between the backing of the unit and the back wall. Fig. B.

Apply a bead of silicone around the pre-drilled opening. Screw the soap dish in the support until it is tight against the shower wall. Fig. C.



INSTALLATION

STEP 10

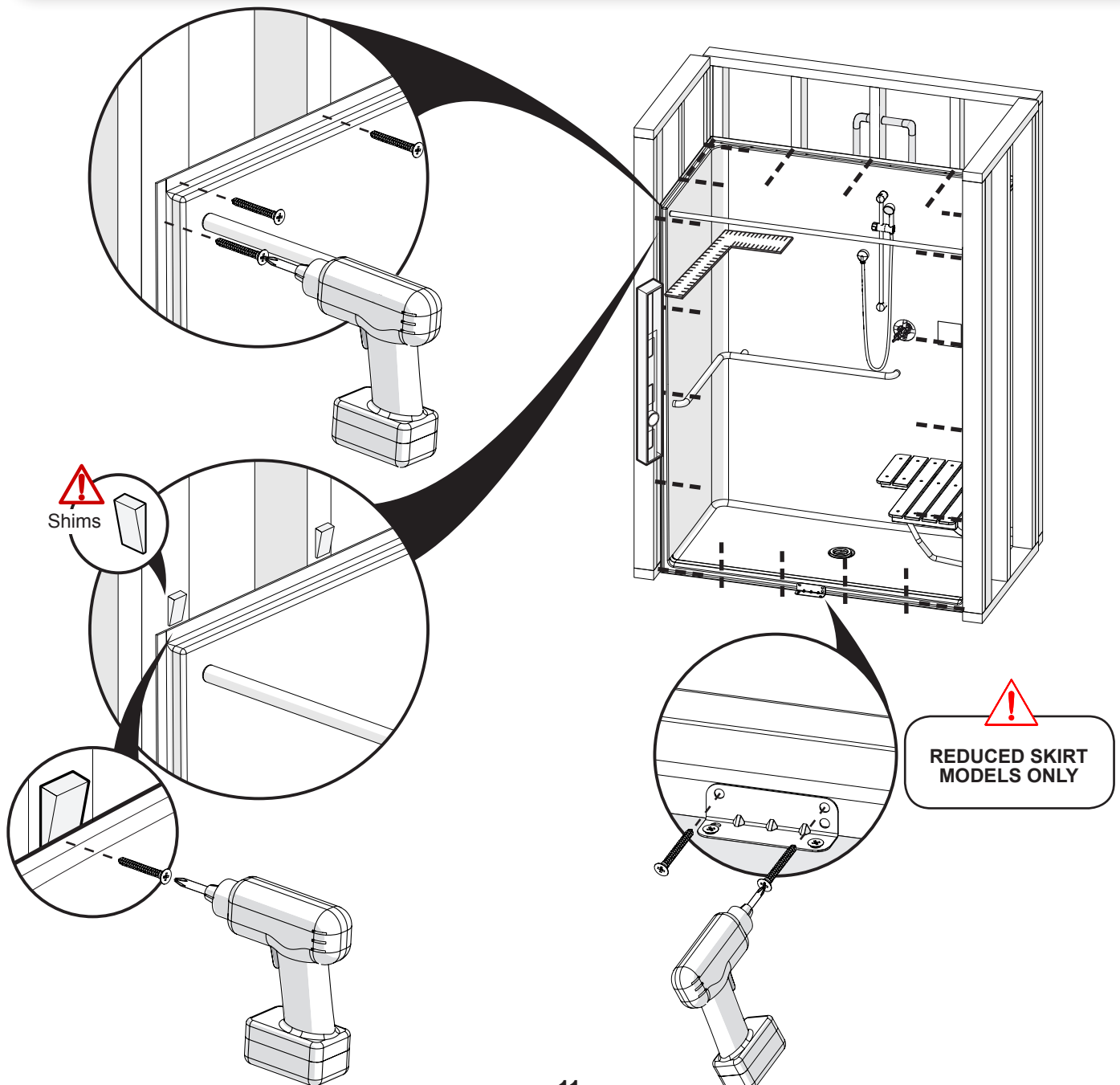
FASTENING OF THE UNIT TO THE FRAME

Level and square the unit.

Fasten unit using #8 screws. Start by fastening a screw in each bottom corner of the unit. Drive in the other screws after checking that the unit is correctly positioned, leveled and squared. Fasten screws into the fastening flange, 8" (20cm) apart along the vertical sides and the floor. For the horizontal sides, fasten a screw in front of each stud.

Use shims as needed to level the unit.

On reduced skirt models there is no fastening flange at the bottom, therefore a bracket is needed to fasten the unit's bottom to the floor. Start by checking that the unit is correctly positioned, leveled and squared. Fasten a screw in each bottom corner of the unit. Fasten the bracket centered at the bottom, first to the floor, then to the unit using wood screws #8 x 1" and drive in the other screws.



INSTALLATION

STEP 11

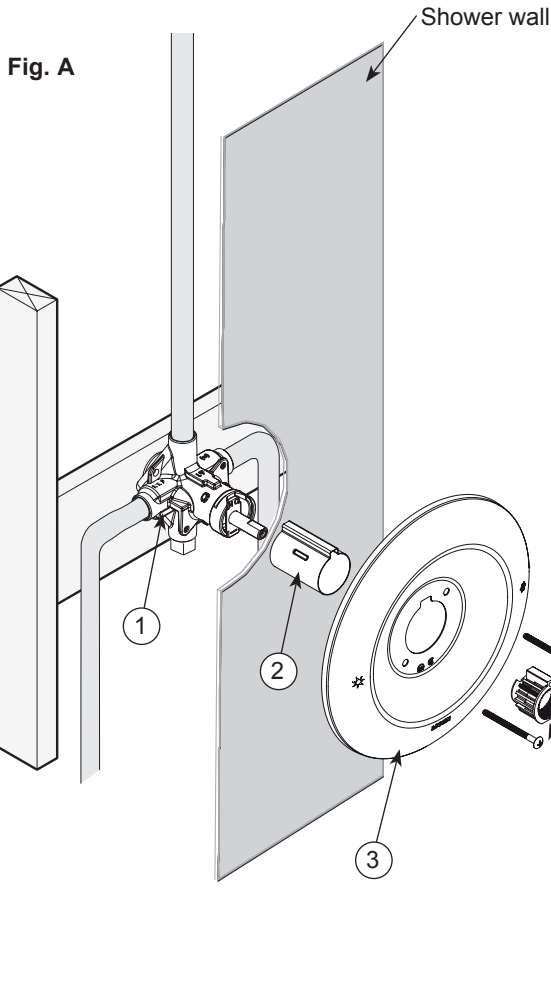
VALVE INSTALLATION

WARNING: Upon reception, make sure that all parts of the valve are included. If you have a problem, please contact immediately your distributor.

Always cut off the water supply before removing or disassembling a valve. Turn the valve on to release any water pressure and to make sure the water supply has indeed been cut off.

IMPORTANT: As mentioned in step 3, it is highly recommended to include an access to the plumbing connections measuring at least 30" x 28" (762 mm x 711 mm). This access will allow you to easily repair or disassemble the connections.

Assemble the valve as shown in Fig.A.

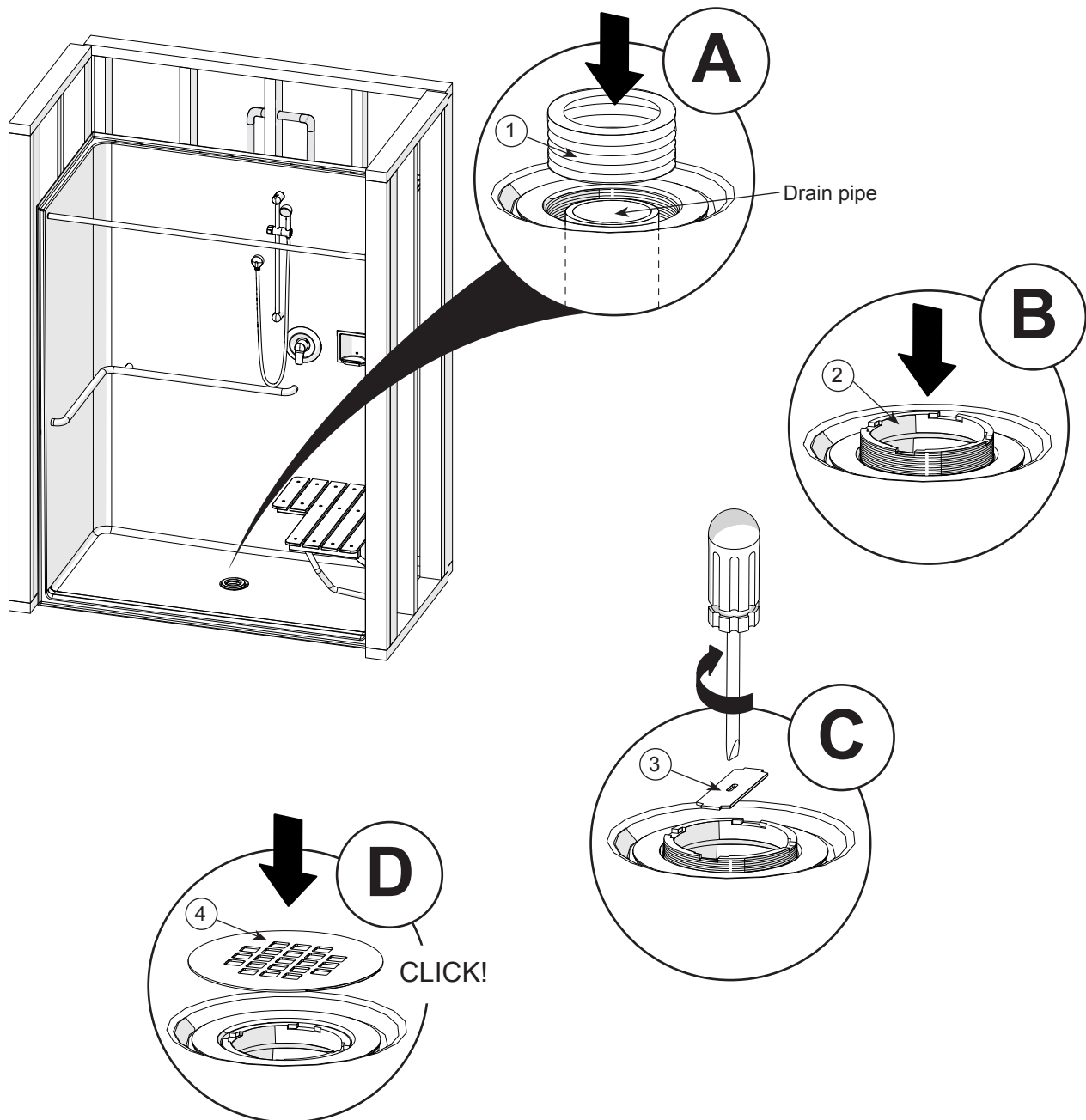


| # | Description | Qty |
|---|------------------------|-----|
| 1 | Valve body | 1 |
| 2 | Chrome sleeve | 1 |
| 3 | Chrome face plate | 1 |
| 4 | Temperature limit stop | 1 |
| 5 | Face plate screws | 2 |
| 6 | Handle adapter | 1 |
| 7 | Handle adapter screw | 1 |
| 8 | Handle screw | 1 |
| 9 | Chrome handle | 1 |

INSTALLATION

STEP 12 DRAIN FINAL INSTALLATION

- A) Insert rubber calking gasket (1) over drain pipe as shown.
- B) Screw calking nut (2) over drain head.
- C) Fasten calking nut with locking wrench (3) provided to secure shower drain to pipe. Fully tighten to ensure waterproofing. Then remove the locking wrench.
- D) Push down strainer (4) until it snaps into place on top of shower drain.

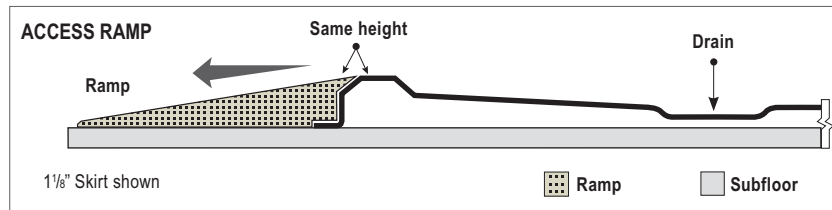
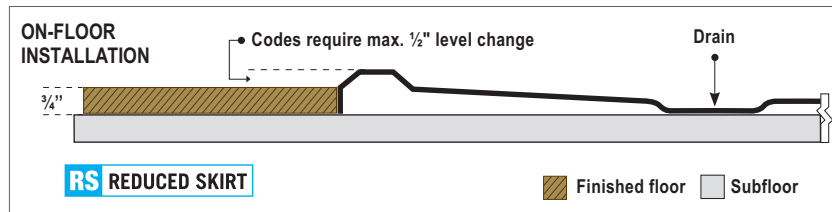
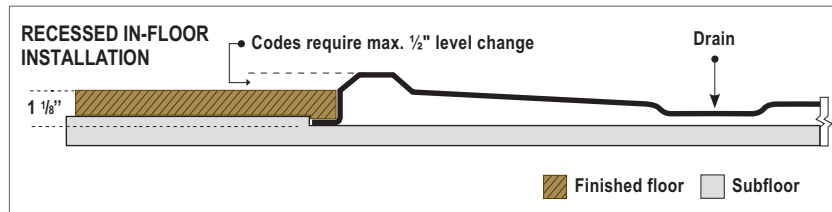
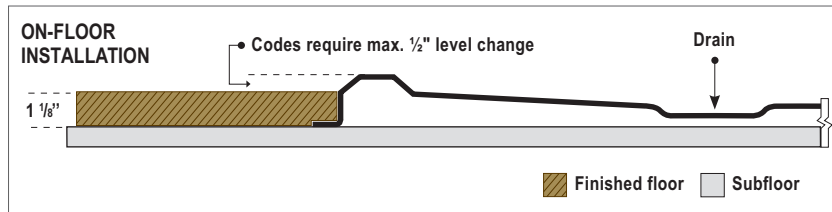
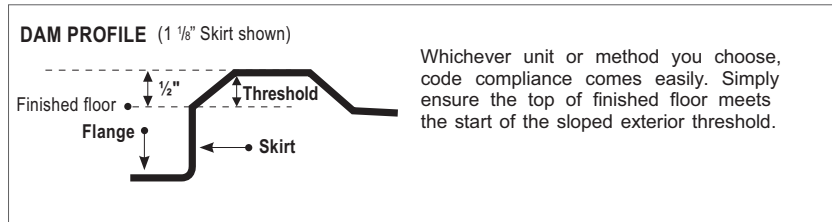


STEP 13

INSTALLATION

FINISHED FLOOR INSTALLATION

Important: The finished height of the threshold must comply with the following standards:
 US: maximum height of 1/2" (13mm) in accordance with ADA/ANSI/ICC A117.1 (Accessible and Usable Buildings and Facilities).
 This requirement does not apply to tub-showers.



INSTALLATION

STEP 14 FINISH

Finishing panels (plasterboard, ceramic tile, etc.) should completely cover the fastening flange (Fig. A). The joint between the wall panels and the finishing panels can be covered with a joint compound, a plastic stripe, or a tile strip. To prevent water infiltration, apply a bead of silicone between the floor and the threshold of the unit.

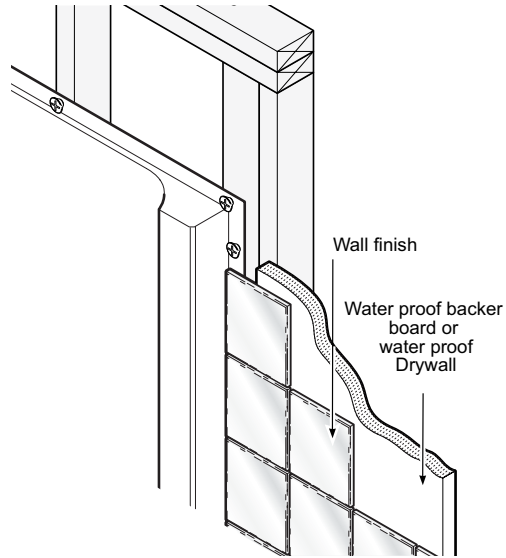


Fig. A

LIMITED WARRANTIES

MAAX Bath Inc. (hereafter «MAAX») offers the following express limited warranties on its products. These warranties extend only to the original owner/end-user for personal household use and start from the manufacturing date of the unit. For commercial uses, additional limitations apply.

MAAX warrants **acrylic units** to be free from defects in workmanship and materials under normal use and service for a period of twenty five (25) years from the initial date of purchase by the owner/end-user, contractor or builder from an authorized dealer.

MAAX warrants **fiberglass units** to be free from defects in workmanship and materials under normal use and service for a period of five (5) years from the initial date of purchase by the owner/end-user, contractor or builder from an authorized dealer.

Any product reported to the authorized dealer or to MAAX as being defective within the warranty period will be repaired or replaced (with a product of equal value) at the option of MAAX. Costs for freight associated with shipping of replacement product/parts might be charged to customer. In no event will MAAX be liable for the cost of repair or replacement of any installation materials, including but not limited to, tiles, marble, etc. This warranty extends to the original owner/end-user and is not transferable to a subsequent owner.

Neither the distributor, authorized MAAX dealer nor any other person has been authorized to make any affirmation, representation or warranty other than those contained in this warranty; any affirmation, representation or warranty other than those contained in this warranty shall not be enforceable against MAAX or any other person. MAAX reserves the right to modify this warranty at any time, it being understood that such modification will not alter the warranty conditions applicable at the time of the sale of the products in question.

Limitations

This warranty shall not apply following incorrect operating procedures, breakage or damages caused by normal wear and tear, fault, carelessness, abuse, misuse, misapplication, improper maintenance, alteration or modification of the unit, as well as chemical or natural corrosion, accident, fire, flood, act of God or any other casualty. This warranty shall not apply to stain or malfunction caused by ferrous water, hard water or salty water.

The owner/end-user of the product covered by this warranty is entirely responsible for its proper installation and electrical wiring. This warranty is void if unit is not tested prior to final enclosure as per the installation instructions. MAAX neither installs nor supervises the installation, nor hires a contractor for this purpose, and consequently cannot be held responsible for any defect, breakage or damage caused thereby or resulting thereof, either directly or indirectly. The owner/end-user must provide access to the components of the product as described in the installation guide, so that MAAX can execute the warranty specified herein. If such access is not available, all expenses to provide said access will be the responsibility of the owner/end-user.

This warranty does not apply to products or equipment not installed or operated in accordance with instructions supplied by MAAX and all applicable rules, regulations and legislation pertaining to such installations.

MAAX strongly recommends that its products-for example, but without limitation, shower doors and other items-be installed by professionals with experience in bathroom products. Installation of shower doors by an inexperienced person may result in glass breakage and, consequently, cause personal injury or death. MAAX is not liable for any costs, damages or claims resulting from the purchase of products that do not fit through openings or existing structures. MAAX is not liable for any costs, damages or claims resulting from defects that could have been discovered, repaired or avoided by inspection and testing prior to installation.

MAAX is not liable for personal injuries or death to any person or for any direct, special, incidental or consequential damage, loss of use, loss of time, loss of profits, inconvenience, incidental expenses, labor or material charges, or any other costs resulting from the use of its products or pertaining to the application of the present warranty, or resulting from the removal or replacement of any product or element or part covered by this warranty.

EXCEPT AS OTHERWISE PROVIDED ABOVE, MAAX MAKES NO WARRANTIES, EXPRESS OR IMPLIED, INCLUDING WARRANTIES OF MERCHANTABILITY AND FITNESS FOR A PARTICULAR PURPOSE OR COMPLIANCE WITH ANY CODE.

In any case, MAAX cannot be liable for any amount over and above the purchase price paid for the product by the owner/end-user, contractor or builder. This warranty gives the owner/end-user specific legal rights. The owner/end-user may also have other rights which vary from one state and/or province to another.

Commercial Limitations

In addition to the above conditions and limitations, the warranty period for products installed for commercial applications or used in commercial ventures is of one (1) year from the initial date of purchase by the owner/end-user, contractor or builder from an authorized dealer. If the product is sold by MAAX as a display, MAAX standard warranty applies.

Warranty service

In order to obtain service provided under this warranty during regular business hours, contact the dealer or distributor who sold the unit, or MAAX directly.

MAAX will provide the warranty service described above when the following conditions have been met: (1) the failure is of the nature or type covered by the warranty; (2) the user has informed an authorized MAAX Agent or Warranty Service Department representative, of the nature of the problem during the warranty period; (3) conclusive evidence (e.g., serial number or proof of purchase) is provided to the foregoing by the user proving that the failure occurred or was discovered within the warranty period; and (4) an authorized independent service person or company representative has been permitted to inspect the product during regular business hours within a reasonable time after the problem was reported by the user.

MAAX's warranty obligation shall be discharged upon tender of replacement or repair. The purchaser refusal to accept the tender terminates MAAX's warranty obligation.

MAAX products are certified by one or more of the following certification agencies: CSA, UL, IAPMO, ULI, INTERTEK (ETL), WARNOCK HERSEY and SGS US TESTING. Certain models are pending certification approval. Certification may be ended by MAAX or certification agencies without notice.

MAAX is a registered trademark of MAAX Bath Inc.

MAAX®

www.maax.com

Technical Services

T. 1 888 957-7816

F. 1 800 201-8308