

# MAAX SUBMITTAL SPECIFICATIONS

## OPS-3636-RS - Base Model

**MODEL NUMBER 106064**

DIMENSIONS: 36" x 36" x 76 5/8" Fiberglass



Project : .....

Contractor : .....

MAAX Representative : ..... Tel : .....

Date : .....

[www.maax.com](http://www.maax.com)

Vivez l'expérience  
**MAAX**<sup>®</sup>  
Enjoy the experience

### STANDARD FEATURES

- 1-piece transfer shower reinforced according to FHA accessibility requirements
- Configurable to be compliant with major accessibility codes when properly installed
- Center drain and textured bottom
- 3/4" reduced skirt and 1/2" high threshold

### OPTIONS

- Chrome recessed soap dish (drilled, not installed)
- Solid Brass drain with Chrome plated Stainless Steel grid
- 36" Chrome curtain rod
- 36" White vinyl shower curtain

### UNIQUE FEATURES

- None

### SYSTEMS

- None

### CERTIFICATIONS

Maax products adhere to one or more of the following certifications:



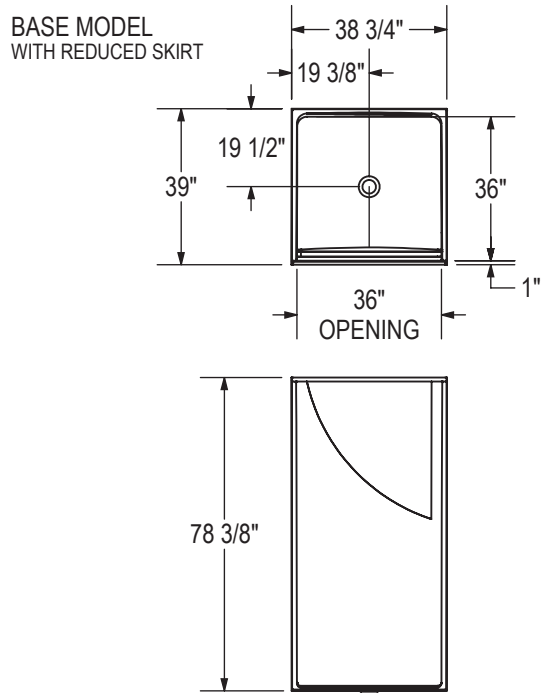
2017-11-09

# MAAX SUBMITTAL SPECIFICATIONS

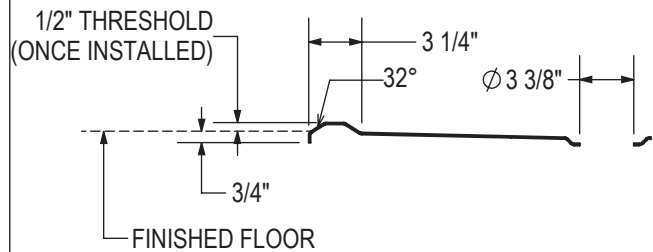
## OPS-3636-RS - Base Model

MODEL NUMBER 106064

### TECHNICAL DRAWINGS



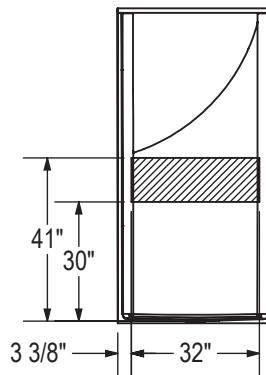
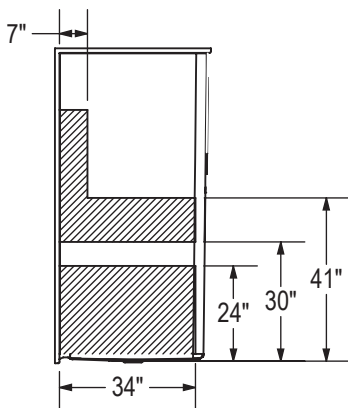
THRESHOLD DETAIL (REDUCED SKIRT)



### REINFORCEMENT BACKING

RIGHT WALL SHOWN  
 LEFT WALL SYMMETRICAL

BACK WALL



All dimensions are approximate. Structure measurements must be verified against the unit to ensure proper fit.