

# MAAX SUBMITTAL SPECIFICATIONS

## TV3631

MODEL NUMBER 126532

DIMENSIONS: 36" x 5" x 31"



Project : .....

Contractor : .....

MAAX Representative : ..... Tel : .....

Date : .....

[www.maax.com](http://www.maax.com)

Vivez l'expérience  
**MAAX**<sup>®</sup>  
Enjoy the experience

### STANDARD FEATURES

- Exclusive slide shelf system, Slide Edge<sup>R</sup>
- Shock-absorbing strip
- Six-way adjustable 110° hinge
- Three adjustable glass shelves 1/4 in. thick
- Mirror trim kit for surface mount included

### OPTIONS

- None

### UNIQUE FEATURES

- None

### SYSTEMS

- None

### CERTIFICATIONS

Maax products adhere to one or more of the following certifications:



2017-11-09

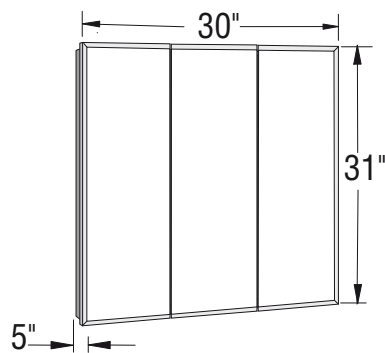
## MAAX SUBMITTAL SPECIFICATIONS

# TV3631

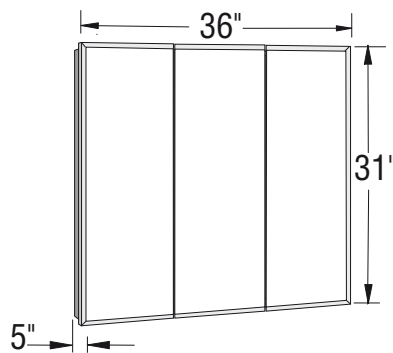
MODEL NUMBER 126532

## TECHNICAL DRAWINGS

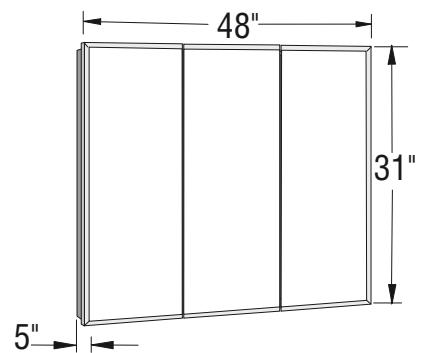
---



TV3031



TV3631



TV4831

All dimensions are approximate. Structure measurements must be verified against the unit to ensure proper fit