

# MAAX SUBMITTAL SPECIFICATIONS

## TOF-3060 AFR

**MODEL NUMBER 145009**

DIMENSIONS: 60" x 31" x 20" Fiberglass



Project : .....

Contractor : .....

MAAX Representative : ..... Tel : .....

Date : .....

[www.maax.com](http://www.maax.com)

Vivez l'expérience  
**MAAX**<sup>®</sup>  
Enjoy the experience

### STANDARD FEATURES

- 1 ½" wrap around backsplash
- Integrated apron and tiling flange
- Above-the-Floor Rough (AFR)
- Textured floor
- Right or left drain
- Alcove installation

### OPTIONS

- Foam pillow with 2 suction pads
- Waste and overflow
- Tile Adaptor (for door installation)

### UNIQUE FEATURES

- Above-the-Floor Rough (AFR)
- Tiling Flange

### SYSTEMS

- None

### DOOR SELECTION

Combine with MAAX's complete shower door offering visit [www.maax.com](http://www.maax.com)

### CERTIFICATIONS

Maax products adhere to one or more of the following certifications:



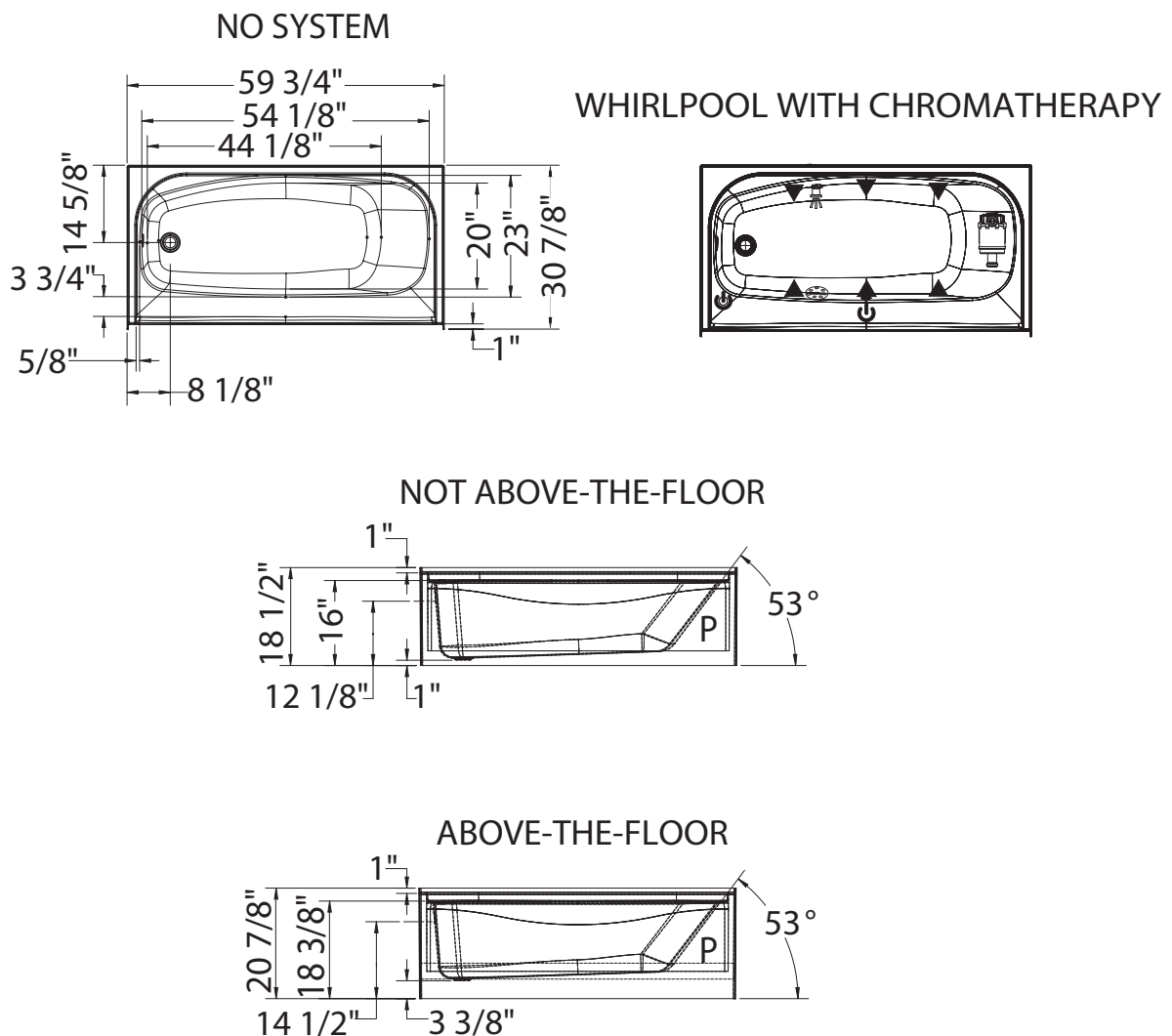
2017-11-09

# MAAX SUBMITTAL SPECIFICATIONS

## TOF-3060 AFR

MODEL NUMBER 145009

### TECHNICAL DRAWINGS



- ( ▲ ): Indicates Whirlpool jets positioning
- ( △ ): Indicates suction positioning
- ( ▽ ): Indicates chromatherapy light positioning

All dimensions are approximate. Structure measurements must be verified against the unit to ensure proper fit.