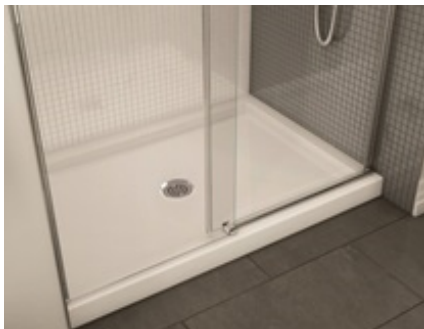


MAAX SUBMITTAL SPECIFICATIONS

B3Round 4836

MODEL NUMBER 410003-501

DIMENSIONS: 48" x 36" x 3" Acrylic



Project :

Contractor :

MAAX Representative : Tel :

Date :

www.maax.com

Vivez l'expérience
MAAX[®]
Enjoy the experience

STANDARD FEATURES

- Acrylic rectangular base with round drain
- Smooth floor
- Center drain
- Drain not included
- 3" threshold base

OPTIONS

- None

UNIQUE FEATURES

- None

SYSTEMS

- None

DOOR SELECTION

Combine with MAAX's complete shower door offering visit www.maax.com

CERTIFICATIONS

Maax products adhere to one or more of the following certifications:



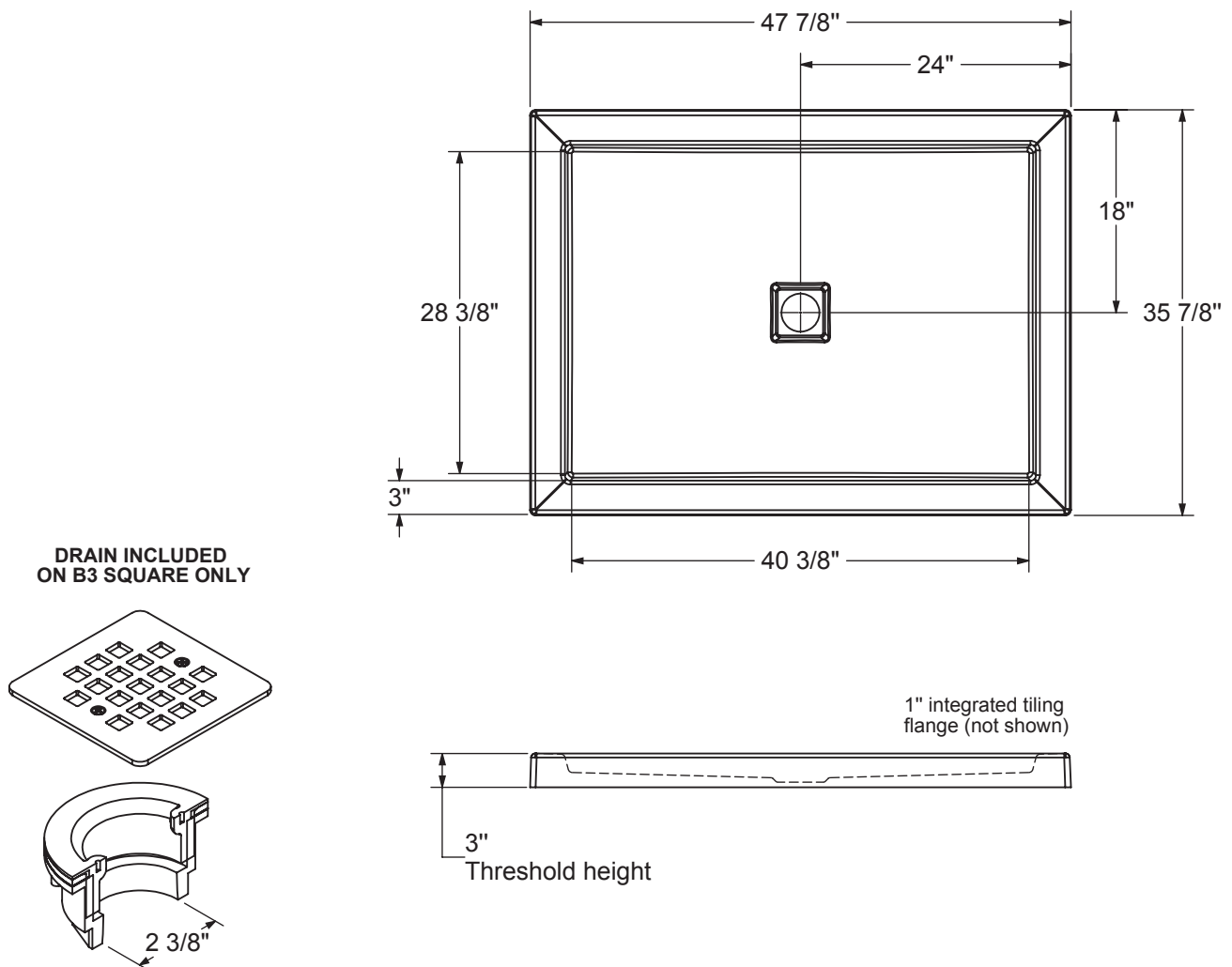
2017-11-09

MAAX SUBMITTAL SPECIFICATIONS

B3Round 4836

MODEL NUMBER 410003-501

TECHNICAL DRAWINGS



This technical drawing is universal for every 4836 configuration.

Integrated tiling flange : 1" height x 1/4" thick (not shown)
Tiling flange position is determined by chosen configuration.

All dimensions are approximate. Structure measurements must be verified against the unit to ensure proper fit.