

MAAX SUBMITTAL SPECIFICATIONS

ModulR 6032 drop-in (with armrests)

MODEL NUMBER 410023

DIMENSIONS: 60" x 32" x 23" Acrylic



Project :
Contractor :
MAAX Representative : Tel :
Date :

Vivez l'expérience
MAAX[®]
Enjoy the experience

STANDARD FEATURES

- Two-piece rectangular bathtub with sleek and refined look
- 2 interior types available (with or without armrests)
- Drop-in or alcove installation with integrated tiling flange (IF)
- Ample deck space for faucet installation
- Above-the-Floor Rough (AFR)
- Optional apron with integrated toe-kick for alcove installation only

OPTIONS

- Flexible waste and overflow (included in product packaging when purchased)
- Brass waste and overflow for high-rise construction
- Foam pillow with 2 suction pads
- Glass shelf

UNIQUE FEATURES

- None

SYSTEMS

- None

DOOR SELECTION

Combine with MAAX's complete shower door offering visit www.maax.com

CERTIFICATIONS

Maax products adhere to one or more of the following certifications:



www.maax.com

2017-11-09

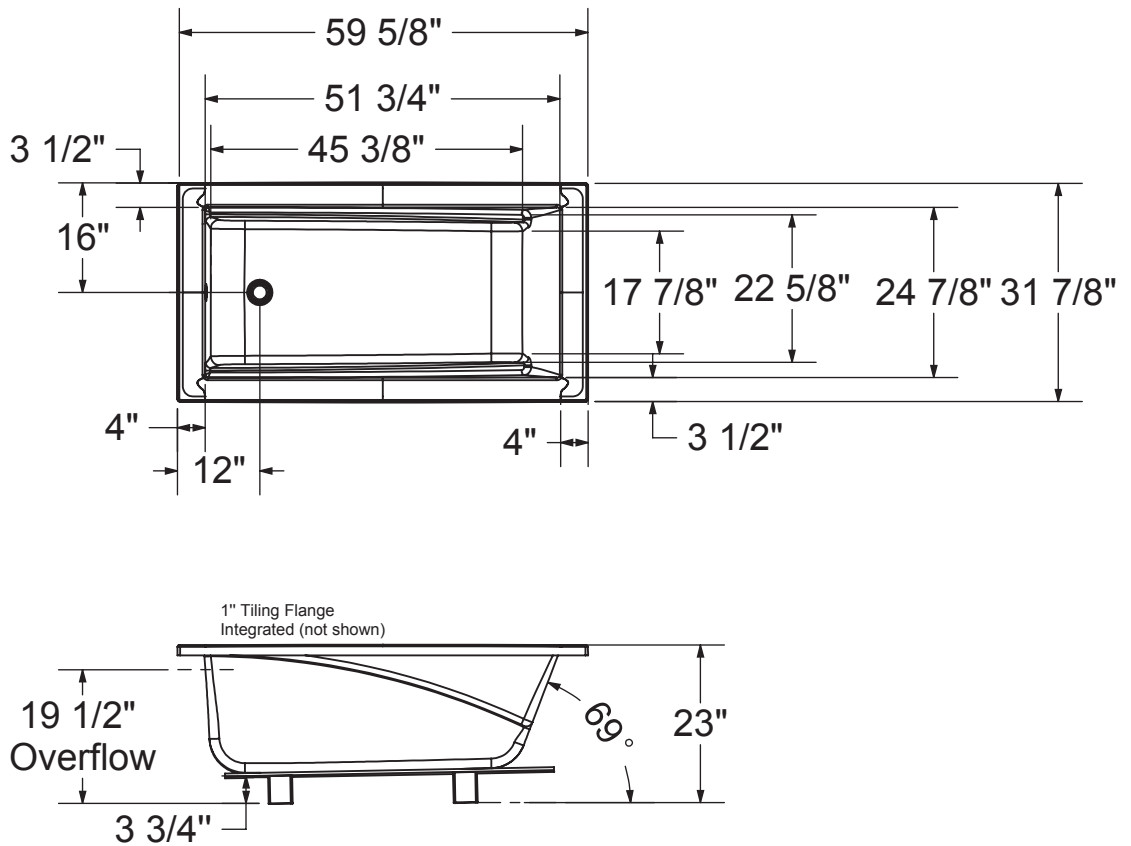
MAAX SUBMITTAL SPECIFICATIONS

**ModuIR 6032 drop-in
 (with armrests)**

MODEL NUMBER 410023

TECHNICAL DRAWINGS

ModuIR BATHTUB, Drop in, Alcove, IF Corner LH-RH : 60X32 WITH ARMREST



This technical drawing is universal for all ModuIR tubs configurations (Drop in, Alcove, IF Corner LH-RH)

Integrated tiling flange: 1" height x 3/8" thick (not shown)
 Tiling flange position is determined by chosen configuration.

All dimensions are approximate. Structure measurements must be verified against the unit to ensure proper fit.